

DVP04AD-S

DVP04AD-S2

Instruction Sheet

安 裝 說 明
安 裝 說 明

Analog Input Module


類比輸入模組

模拟输入模块


DVP-0010130-01

Warning **ENGLISH**

EN **⚡** DVP04AD-S/DVP04AD-S2 is an OPEN-TYPE device. It should be installed in a control cabinet free of airborne dust, humidity, electric shock and vibration. To prevent non-maintenance staff from operating DVP04AD-S/DVP04AD-S2, or to prevent an accident from damaging DVP04AD-S/DVP04AD-S2, the control cabinet in which DVP04AD-S/DVP04AD-S2 is installed should be equipped with a safeguard. For example, the control cabinet in which DVP04AD-S/DVP04AD-S2 is installed can be unlocked with a special tool or key.

EN **⚡** DO NOT connect AC power to any of I/O terminals, otherwise serious damage may occur. Please check all wiring again before DVP04AD-S/DVP04AD-S2 is powered up. After DVP04AD-S/DVP04AD-S2 is disconnected, Do NOT touch any terminals in a minute. Make sure that the ground terminal  on DVP04AD-S/DVP04AD-S2 is correctly grounded in order to prevent electromagnetic interference.

FR **⚡** DVP04AD-S/DVP04AD-S2 est un module OUVERT. Il doit être installé que dans une enceinte protectrice (boîtier, armoire, etc.) saine, dépourvue de poussière, d'humidité, de vibrations et hors d'atteinte des chocs électriques. La protection doit éviter que les personnes non habilitées à la maintenance puissent accéder à l'appareil (par exemple, une clé ou un outil doivent être nécessaire pour ouvrir a protection).

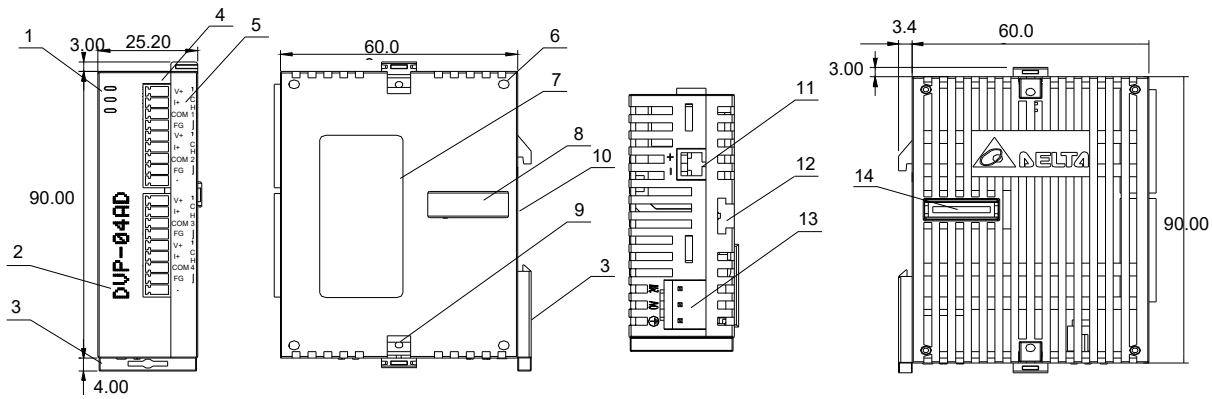
FR **⚡** Ne pas appliquer la tension secteur sur les bornes d'entrées/Sorties, ou l'appareil DVP04AD-S/DVP04AD-S2 pourra être endommagé. Merci de vérifier encore une fois le câblage avant la mise sous tension du DVP04AD-S/DVP04AD-S2. Lors de la déconnection de l'appareil, ne pas toucher les connecteurs dans la minute suivante. Vérifier que la terre est bien reliée au connecteur de terre  afin d'éviter toute interférence électromagnétique.

Introduction

■ Model Explanation & Peripherals

- Thank you for choosing the Delta DVP series PLC. The analog input module DVP04AD-S/DVP04AD-S2 receives external 4-point analog signal input (voltage or current) and converts it into 14-bit digital signals. A DVP series slim type PLC can read data from DVP04AD-S/DVP04AD-S2 or write data to DVP04AD-S/DVP04AD-S2 by means of the instruction FROM/TO. There are 49 CRs (control registers) in the module, and each register has 16 bits.
- Users can select input from voltage or current via wiring. Voltage input range is $\pm 10\text{VDC}$ (resolution is 1.25mV). Current input range is $\pm 20\text{mA}$ (resolution is 5 μA).

■ Product Profile & Outline

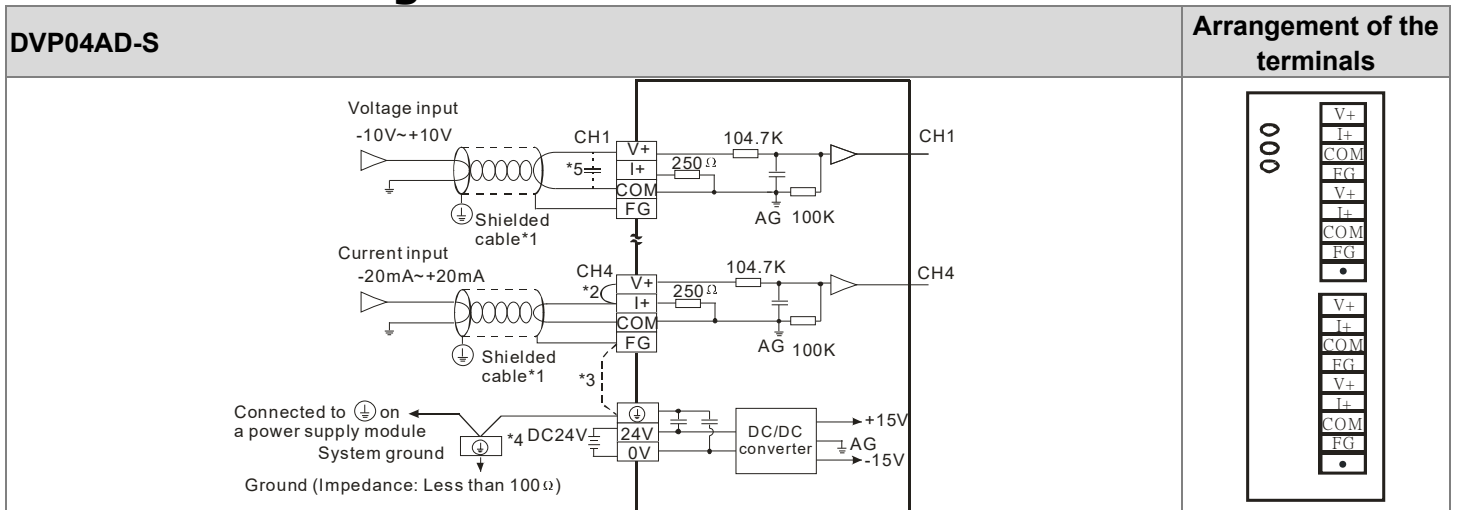


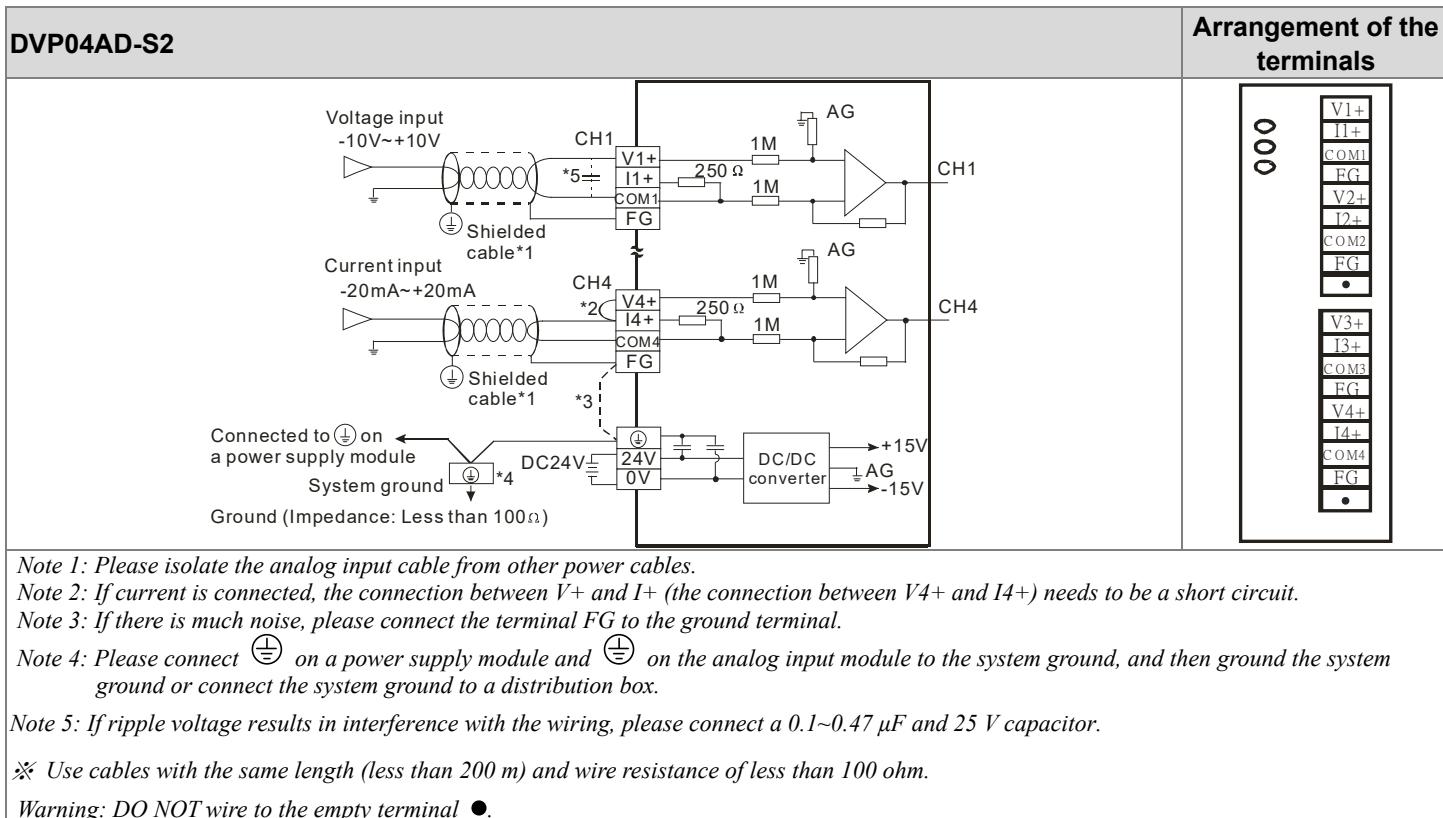
Unit: mm

Figure 1

1. POWER, RUN and ERROR indicators	8. Extension port
2. Model name	9. Extension unit clip
3. DIN rail clip	10. DIN rail groove (35mm)
4. I/O terminals	11. RS-485 communication port
5. I/O point indicators	12. Mounting groove of the extension unit
6. Mounting hole of the expansion unit	13. DC power input
7. Nameplate	14. Extension port

■ External Wiring





② Specifications

■ Functions

Analog/Digital (4A/D) module	Voltage input	Current input
Power supply voltage	24VDC (20.4VDC ~ 28.8VDC) (-15% ~ +20%)	
Analog input channel	4 channel/each module	
Analog input range	±10V	±20mA
Digital conversion range	±8,000	±4,000
Resolution	14 bits (1 _{LSB} =1.25mV)	13 bits (1 _{LSB} =5μA)
Overall accuracy	±0.5% of full scale of 25°C (77°F). ±1% of full scale during 0 ~ 55°C (32 ~ 131°F)	
Input impedance (DVP04AD-S)	200KΩ	250Ω
Input impedance (DVP04AD-S2)	≥ 1MΩ	250Ω
Response time	3ms × Number of channels	
Isolation method	The analog circuit is isolated from the digital circuit by an optocoupler, but the analog channels are not isolated from one other.	
Absolute input range	±15V	±32mA
Digital data format	16-bit 2's complement	
Average function	Yes (CR#2 ~ CR#5 can be set and setting range is K1 ~ K20)	
Self diagnose function	Upper and lower bound detection/channels	
Communication mode (RS-485)	Supported, including ASCII/RTU mode. Default communication format: 9600, 7, E, 1, ASCII; refer to CR#32 for details on the communication format. Note1: RS-485 cannot be used when connected to CPU series PLCs. Note2: Refer to Slim Type Special Module Communications in the appendix E of the DVP programming manual for more details on RS-485 communication setups.	
Connecting to a DVP series PLC	If DVP04AD-S/DVP04AD-S2 modules are connected to a PLC, the modules are numbered from 0 ~ 7. 0 is the closest and 7 is the furthest to the PLC. 8 modules is the max and they do not occupy any digital I/O points of the PLC.	

■ Others

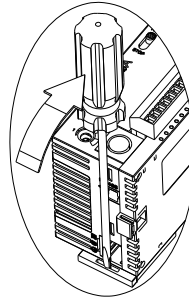
Power specification	
Max. rated consuming power	24VDC (20.4VDC ~ 28.8VDC) (-15% ~ +20%), 2W, supply from external power.
Environment condition	
Operation/storage	1. Operation: 0°C ~ 55°C (temperature), 5 ~ 95% (humidity), pollution degree 2 2. Storage: -25°C ~ 70°C (temperature), 5 ~ 95% (humidity)
Vibration/shock immunity	Standard: IEC61131-2, IEC68-2-6 (TEST Fc)/IEC61131-2 & IEC68-2-27 (TEST Ea)

③ Installation and Wiring

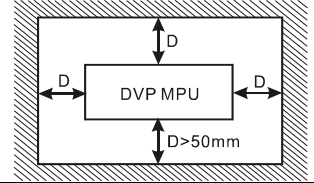
■ Mounting Arrangements and Wiring Notes

DIN Rail Installation

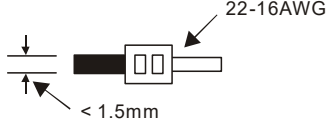
The DVP-PLC can be secured to a cabinet by using the DIN rail that is 35mm high with a depth of 7.5mm. When mounting the PLC on the DIN rail, be sure to use the end bracket to stop any side-to-side motion of the PLC, thus to reduce the chance of the wires being pulled loose. On the bottom of the PLC is a small retaining clip. To secure the PLC to the DIN rail, place it onto the rail and gently push up on the clip. To remove it, pull down on the retaining clip and gently pull the PLC away from the DIN rail. Please see the figure on the right.



For heat dissipation. Make sure to provide a minimum clearance of 50mm between the unit and all sides of the cabinet. (shown as below)



Wiring



1. Use 22-16AWG (1.5mm) single or multiple core wire on I/O wiring terminals. The specification of the terminal is shown in the figure on the left hand side. The PLC terminal screws shall be tightened to 1.95kg-cm (1.7 in-lbs).
2. DO NOT place the I/O signal wires and power supply wire in the same wiring duct.
3. Use 60/75°C copper wires only.

④ CR (Control Register)

CR#	RS-485 parameter address	Latched	Register name	b15	b14	b13	b12	b11	b10	b9	b8	b7	b6	b5	b4	b3	b2	b1	b0
				Reserved				CH4		CH3		CH2		CH1					
#0	H'4000	<input type="radio"/>	R	Model type				For system use Data length: 8 bits (b7 ~ b0) Model code of DVP04AD-S: H'88 Model code of DVP04AD-S2: H'90 Users can read the model type by means of a program to check if the expansion module exists.											
#1	H'4001	<input type="radio"/>	R/W	Input mode setting				Input mode setting: The factory setting is H'0000. Mode 0: Voltage input mode (-10V ~ +10V) Mode 1: Voltage input mode (-6V ~ +10V) Mode 2: Current input mode (-12mA ~ +20mA) Mode 3: Current input mode (-20mA ~ +20mA) Mode 7: Disabling a channel (Only applicable to DVP04AD-S2)											
CR#1: CR#1 is used to set 4 internal channels working mode of analog input module. Every channel has four modes to set that can be set individually. For example: if set CH1 to mode 0 (b2 ~ b0 = 000), CH2 to mode 1 (b5 ~ b3 = 001), CH3: mode 2 (b8 ~ b6 = 010), CH4: mode 3 (b11 ~ b9 = 011). Then CR#1 is set to H'0688 and the upper bit (b12 ~ b15) will be reserved. The factory setting of CR#1 is H'0000.																			
#2	H'4002	<input type="radio"/>	R/W	CH1 average times				Average times setting of channel CH1 ~ CH2. Setting range is K1 ~ K20 and factory setting is K10.											
#3	H'4003	<input type="radio"/>	R/W	CH2 average times															
#4	H'4004	<input type="radio"/>	R/W	CH3 average times				Average times setting of channel CH3 ~ CH4. Setting range is K1 ~ K20 and factory setting is K10.											
#5	H'4005	<input type="radio"/>	R/W	CH4 average times															
#6	H'4006	<input checked="" type="checkbox"/>	R	Average value of the CH1 input signal				Display average value of CH1 ~ CH4 input signal. The default value in CR#2/CR#3/CR#4/CR#5 is 10, that is, the average value of the CH1/CH2/CH3/CH4 input signal is calculated every 10 times.											
#7	H'4007	<input checked="" type="checkbox"/>	R	Average value of the CH2 input signal															
#8	H'4008	<input checked="" type="checkbox"/>	R	Average value of the CH3 input signal															
#9	H'4009	<input checked="" type="checkbox"/>	R	Average value of the CH4 input signal															
#12	H'400C	<input checked="" type="checkbox"/>	R	present value of CH1 input signal				Display present value of CH1 ~ CH4 input signal.											
#13	H'400D	<input checked="" type="checkbox"/>	R	present value of CH2 input signal															
#14	H'400E	<input checked="" type="checkbox"/>	R	present value of CH3 input signal															
#15	H'400F	<input checked="" type="checkbox"/>	R	present value of CH4 input signal															
#18	H'4012	<input type="radio"/>	R/W	To adjust OFFSET value of CH1				Offset setting of CH1 ~ CH4. Factory setting is K0 and unit is LSB.											
#19	H'4013	<input type="radio"/>	R/W	To adjust OFFSET value of CH2															
#20	H'4014	<input type="radio"/>	R/W	To adjust OFFSET value of CH3				Voltage input: setting range is K-4,000 ~ K4,000. Current input: setting range is K-4,000 ~ K4,000.											
#21	H' 4015	<input type="radio"/>	R/W	To adjust OFFSET value of CH4															
#24	H'4018	<input type="radio"/>	R/W	To adjust GAIN value of CH1				GAIN setting of CH1 ~ CH4. Factory setting is K4,000 and unit is LSB. Voltage input: setting range is K-3,200 ~ K16,000. Current input: setting range is K-3,200 ~ K10,400.											
#25	H'4019	<input type="radio"/>	R/W	To adjust GAIN value of CH2															
#26	H'401A	<input type="radio"/>	R/W	To adjust GAIN value of CH3															
#27	H'401B	<input type="radio"/>	R/W	To adjust GAIN value of CH4															
CR#18~CR#27: Please be noticed that GAIN value - OFFSET value=+800 _{LSB} ~ +12,000 _{LSB} (voltage) or +800 _{LSB} ~ +6,400 _{LSB} (current). If the value difference comes up small (within range), the output signal resolution is then slim and the variation is definitely larger. On the contrast, if the value difference exceeds the range, the output signal resolution becomes larger and the variation is definitely smaller.																			
#30	H'401E	<input checked="" type="checkbox"/>	R	Error status				It is the data register to save all error status. Please refer to error code chart for detail.											

CR#30: Error status value (see the table below)

Error description	Value	b15 ~ b12	b11	b10	b9	b8	b7	b6	b5	b4	b3	b2	b1	b0	
Abnormal power	K1 (H'1)	Reserved	0	0	0	0	0	0	0	0	0	0	0	1	
Mode error	K4 (H'4)		0	0	0	0	0	0	0	0	0	0	1	0	0
Offset/gain error	K8 (H'8)		0	0	0	0	0	0	0	0	0	1	0	0	0
Abnormal digital value	K32 (H'20)		0	0	0	0	0	0	0	1	0	0	0	0	0
Incorrect number of values averaged	K64 (H'40)		0	0	0	0	0	0	1	0	0	0	0	0	0
Instruction error	K128 (H'80)		0	0	0	0	1	0	0	0	0	0	0	0	0
The input received by CH1 is out of the range.	K256 (H'100)		0	0	0	1	0	0	0	0	0	0	0	0	0
The input received by CH2 is out of the range.	K512 (H'200)		0	0	1	0	0	0	0	0	0	0	0	0	0
The input received by CH3 is out of the range.	K1024 (H'400)		0	1	0	0	0	0	0	0	0	0	0	0	0
The input received by CH4 is out of the range.	K2048 (H'800)		1	0	0	0	0	0	0	0	0	0	0	0	0

Note: Each error code corresponds to a bit (b0 ~ b11). Two or more errors may happen at the same time. 0 means there is an error, and 1 means there is an error.

#31	H'401F	○	R/W	Communication address setting	Setting RS-485 communication address. Setting range is 01 ~ 254 and factory setting is K1.
#32	H'4020	○	R/W	Communication format setting	It is used to set communication format. For baud rate, the settings are 4,800/9,600/19,200/38,400/57,600/115,200 bps. Communication format: For DVP04AD-S: ASCII : 7,E,1 / 7,O,1 / 8,E,1 / 8,O,1 / 8,N,1 RTU : 8,E,1 / 8,O,1 / 8,N,1 For DVP04AD-S2 ASCII : 7,E,1 / 7,O,1 / 7,N,1 / 8,E,1 / 8,O,1 / 8,N,1 / 7,E,2 / 7,O,2 / 7,N,2 / 8,E,2 / 8,O,2 / 8,N,2 RTU : 8,E,1 / 8,O,1 / 8,N,1 / 8,E,2 / 8,O,2 / 8,N,2 Factory default : ASCII,9600,7,E,1 (CR#32=H'0002) Refer to ※CR#32 communication format settings at the end of this table for more information.
#33	H'4021	○	R/W	Reset to factory setting and set characteristics adjustable priority	Factory setting is H'0000. Give CH1 setting for example: 1. When b0=0, user can set OFFSET and GAIN value of CH1 (CR#18, CR#24). When b0=1, inhibit user to adjust OFFSET and GAIN value of CH1 (CR#18, CR#24). 2. The value of b1 determines whether a characteristic register is latched while using RS485 to read-write control registers. b1=0 (latched), b1=1 (not latched). 3. When b2 is set to 1, all settings will be reset to factory setting.

CR#33 is used to set the internal function priority. For example: characteristic register. Output latched function will save output setting in the internal memory before power loss.

#34	H'4022	○	R	Firmware version	In hexadecimal to display software version. For example: H'010A means 1.0A.
#35 ~ #48	System used				

Symbols:

○ means latched. (Only valid when written in via RS-485 communication)

✕ means not latched. R means can read data by using FROM instruction or RS-485.

W means can write data by using TO instruction or RS-485.

LSB (Least Significant Bit): 1. Voltage input: $1_{LSB}=10V/8,000=2.5mV$. 2. Current input: $1_{LSB}=20mA/4,000=5\mu A$.

- ※ Added the RESET function for 04AD-S modules with firmware V4.12 or later and 04AD-S2 with firmware V4.16 or later. Connect the module power input to 24 VDC and write H'4352 into CR#0 and then turn the power off and on again; all parameters in modules, including communication parameters are restored to factory defaults.
- ※ The corresponding parameters address H'4000 ~ H'4022 of CR#0 ~ CR#34 are provided for users to read/ write data via RS-485 communication.
- ※ Function codes: 03'H is for reading data from registers. 06'H is for writing a word data into registers. 10'H is for writing multiple word data into registers.
- ※ If you want to use Modbus address in decimal format, you can transfer a hexadecimal register to decimal format and then add one to have it become a decimal Modbus register address. For example transferring the address "H'4000" of CR#0 in hexadecimal format to decimal format, to have the result 16384 and then adding one to it, you have 16385, the Modbus address in decimal format.
- ※ DVP04AD-S CR#32 communication format settings: for modules with firmware V4.10 or previous versions, b11~b8 data format

selection is not available. For ASCII mode, the format is fixed to 7, E, 1 (H'00XX) and for RTU mode, the format is fixed to 8, E, 1 (H'C0xx/H'80xx). For modules with firmware V4.11 or later, refer to the following table for setups. Note that the original code H'C0XX/H'80XX will be seen as RTU, 8, E, 1 for modules with firmware V4.11 or later.

b15 ~ b12		b11 ~ b8		b7 ~ b0	
ASCII/RTU, exchange low and high byte of CRC check code		Data format		Baud rate	
Description					
H'0	ASCII	H'0	7,E,1*1	H'01	4800 bps
H'8	do not exchange low and high byte of CRC check code	H'1	8,E,1	H'02	9600 bps
		H'2	reserved	H'04	19200 bps
H'C	RTU, exchange low and high byte of CRC check code	H'3	8,N,1	H'08	38400 bps
		H'4	7,O,1*1	H'10	57600 bps
		-	H'5	8,O,1	H'20

Note *1: This is only available for ASCII format.

Ex: Write H'C310 into CR#32 for a result of RTU, exchange low and high byte of CRC check code, 8,N,1 and baud rate at 57600 bps.

※ DVP04AD-S2 CR#32 communication format settings: for modules with firmware V4.14 or previous versions, b11~b8 data format selection is not available. For ASCII mode, the format is fixed to 7, E, 1 (H'00XX) and for RTU mode, the format is fixed to 8, E, 1 (H'C0xx/H'80xx). For modules with firmware V4.15 or later, refer to the following table for setups. Note that the original code H'C0XX/H'80XX will be seen as RTU, 8, E, 1 for modules with firmware V4.15 or later.

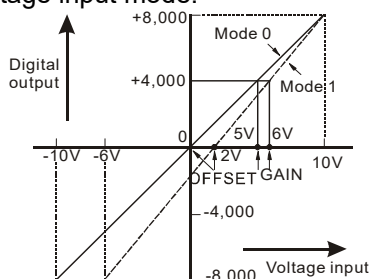
b15 ~ b12		b11 ~ b8		b7 ~ b0	
ASCII/RTU exchange low and high byte of CRC check code		Data format		Baud rate	
Description					
H'0	ASCII	H'0	7,E,1*1	H'01	4800 bps
H'8	do not exchange low and high byte of CRC check code	H'1	8,E,1	H'02	9600 bps
		H'2	7,N,1*1	H'04	19200 bps
H'C	RTU, exchange low and high byte of CRC check code	H'3	8,N,1	H'08	38400 bps
		H'4	7,O,1*1	H'10	57600 bps
		H'5	8,O,1	H'20	115200 bps
		H'6	7,E,2*1		
		H'7	8,E,2		
		H'8	7,N,2*1		
		H'9	8,N,2		
		H'A	7,O,2*1		
		H'B	8,O,2		

Note *1: This is only available for ASCII format.

Ex: Write H'C310 into CR#32 for a result of RTU, exchange low and high byte of CRC check code, 8,N,1 and baud rate at 57600 bps.

⑤ Adjusting A/D Conversion Characteristic Curves

Voltage input mode:



Mode 0 of CR#1: GAIN=5V (4,000_{LSB}), OFFSET=0V (0_{LSB}).

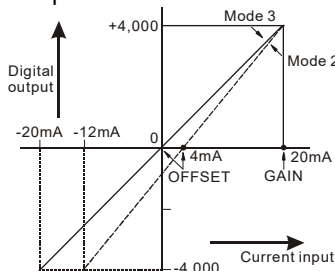
Mode 1 of CR#1: GAIN=6V (4,800_{LSB}), OFFSET=2V (1,600_{LSB}).

GAIN: Voltage input value when digital output is 4,000
Setting range is -3,200_{LSB} ~ +16,000_{LSB}.

OFFSET: Voltage input value when digital output is 0
Setting range: -4,000_{LSB} ~ +4,000_{LSB}.

GAIN - OFFSET: Setting range is +800_{LSB} ~ +12,000_{LSB}.

Current input mode:



Mode 2 of CR#1: GAIN=20mA (4,000_{LSB}), OFFSET=4mA (800_{LSB}).

Mode 3 of CR#1: GAIN=20mA (4,000_{LSB}), OFFSET=0mA (0_{LSB}).

GAIN: Current input value when digital output is +4,000. Setting range is -3,200_{LSB} ~ +10,400_{LSB}.

OFFSET: Current input value when digital output value is 0. Setting range is -4,000_{LSB} ~ +4,000_{LSB}.

GAIN - OFFSET: Setting range is +800_{LSB} ~ +6,400_{LSB}.

The chart above is to adjust A/D conversion characteristic curve of voltage input mode and current input mode. Users can adjust conversion characteristic curve by changing OFFSET values (CR#18 ~ CR#21) and GAIN values (CR#24 ~ CR#27) depend on application.



注意事項

- ✓ 請在使用之前，詳細閱讀本使用說明書。
- ✓ 請勿在上電時觸摸任何端子。實施配線，務必關閉電源。
- ✓ 本機為開放型 (OPEN TYPE) 機殼，因此使用者使用本機時，必須將之安裝於具防塵、防潮及免於電擊/衝擊意外之外殼配線箱內。另必須具備保護措施 (如：特殊之工具或鑰匙才可打開) 防止非維護人員操作或意外衝擊本體，造成危險及損壞。
- ✓ 交流輸入電源不可連接於輸入/出信號端，否則可能造成嚴重的損壞，因此請在上電之前再次確認電源配線。
- ✓ 輸入電源切斷後，一分鐘之內，請勿觸摸內部電路。
- ✓ 本體上之接地端子 (⊕) 務必正確的接地，可提高產品抗雜訊能力。

1 產品簡介

■ 說明及週邊裝置

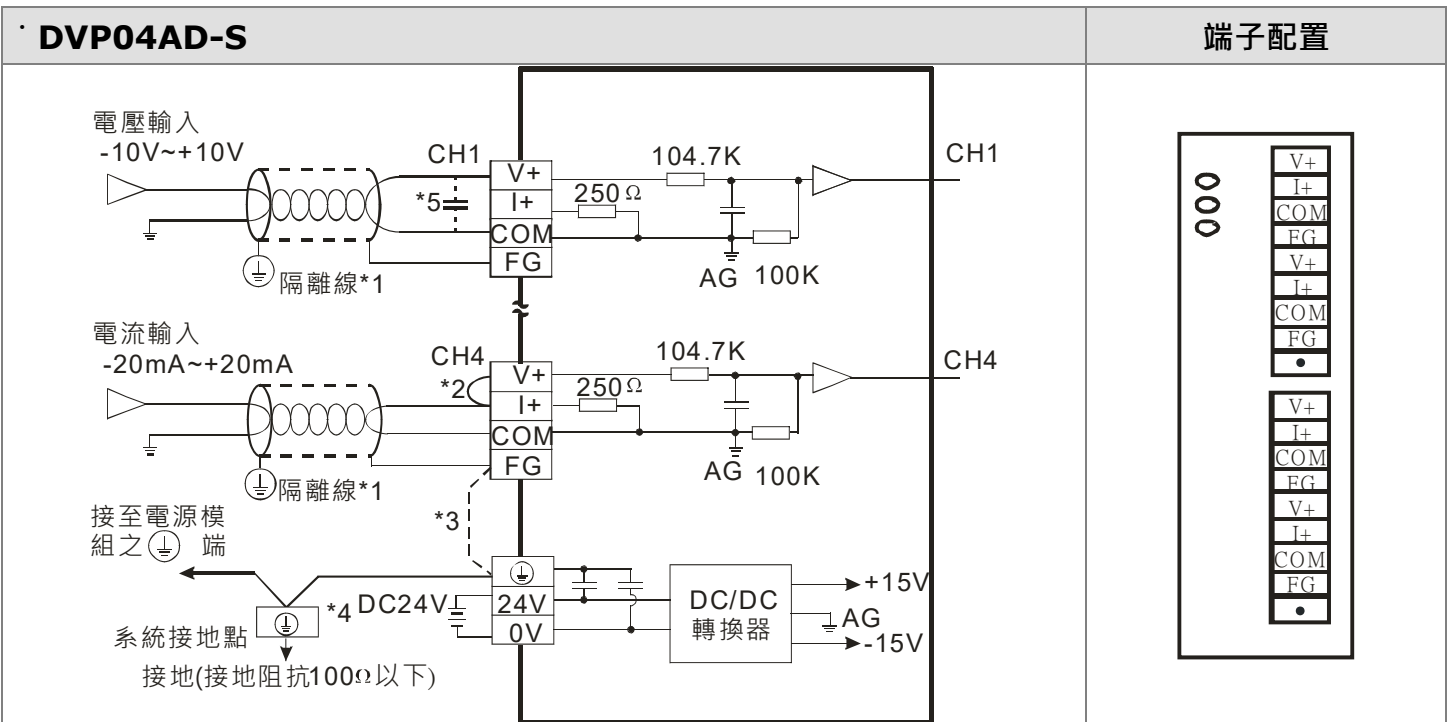
- 謝謝您採用台達 DVP 系列產品。DVP04AD-S/DVP04AD-S2 類比信號輸入模組可接受外部 4 點類比信號輸入(電壓或電流皆可)，將之轉換成 14 位元之數位信號。透過 DVP 薄型系列 (Slim type) 主機程式以指令 FROM/TO 來讀寫模組內之資料，模組內具有 49 個 CR (Control Register) 暫存器，每個暫存器有 16 bits。
- 使用者可經由配線選擇電壓輸入或電流輸入。電壓輸入範圍 $\pm 10\text{VDC}$ (解析度為 1.25mV)。電流輸入範圍 $\pm 20\text{mA}$ (解析度為 $5\mu\text{A}$)。

■ 產品外觀及各部介紹

請參考英文版之 Figure 1 (尺寸單位：mm)。

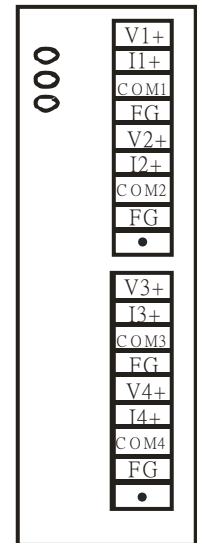
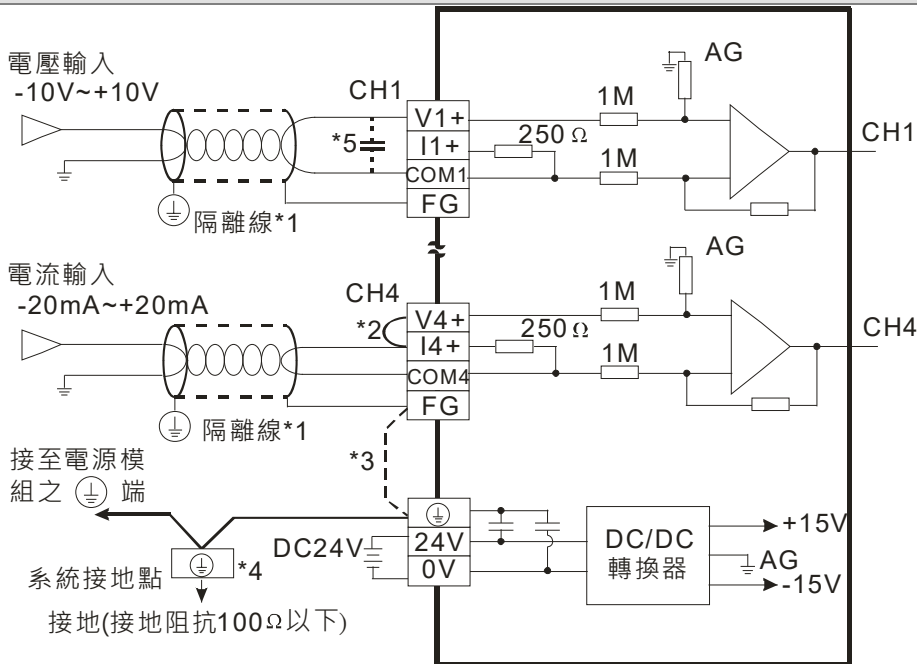
1. 電源、錯誤及運行指示燈	8. 擴充機/擴充模組連接口
2. 機種型號	9. 擴充機/擴充模組固定扣
3. DIN 軌固定扣	10. DIN 軌槽 (35mm)
4. 端子	11. RS-485 通訊口
5. 端子配置	12. 擴充機/擴充模組固定槽
6. 擴充機/擴充模組定位孔	13. 電源輸入口
7. 銘牌	14. 擴充機/擴充模組連接口

■ 外部配線



DVP04AD-S2

端子配置



註 1：類比輸入請與其他電源線隔離。

註 2：如果連接電流信號時，V+ 及 I+ (V4+ 及 I4+) 端子請務必短路。

註 3：如果雜訊過大請將 FG 及接地端子連接。

註 4：請將電源模組之 ⊕ 端及類比信號輸入模組之 ⊕ 端連接到系統接地點，再將系統接點作第三種接地或接到配電箱之機殼上。

註 5：如果輸入電壓有漣波造成配線受雜訊干擾時，請連接 0.1 ~ 0.47μF 25V 之電容。

注意：線材長度需等長，單一線長 < 200 公尺，且單一線阻 < 100Ω。

注意：空端子 ● 請勿配線。

② 規格

■ 功能規格

類比/數位 (4A/D) 模組	電壓輸入 (Voltage input)	電流輸入 (Current input)
電源電壓	24VDC (20.4VDC ~ 28.8VDC) (-15% ~ +20%)	
類比訊號輸入通道	4 通道/台	
類比輸入範圍	±10V	±20mA
數位轉換範圍	±8,000	±4,000
解析度	14 bits (1LSB=1.25mV)	13 bits (1LSB=5μA)
DVP04AD-S 輸入阻抗	200KΩ	250Ω
DVP04AD-S2 輸入阻抗	≥ 1MΩ	250Ω
總和精密度	±0.5% 在 (25°C · 77°F) 範圍內滿刻度時。 ±1% 在 (0 ~ 55°C · 32 ~ 131°F) 範圍內滿刻度時。	
響應時間	3ms × 通道數	
隔離方式	類比與數位端使用光耦合器隔離，類比通道間未隔離。	
絕對輸入範圍	±15V	±32mA
數位資料格式	16 位元二補數	
平均功能	有 (CR#2 ~ CR#5 可設定，範圍 K1 ~ K20)	
自我診斷功能	上下極限偵測/通道	
通訊模式 (RS-485)	有，包含 ASCII/RTU 模式，預設通訊格式為 9600, 7, E, 1, ASCII，詳細通訊格式請參考 CR#32 說明。 備註 1：當與 PLC 主機串接時，RS-485 通訊無法使用。 備註 2：RS-485 通訊修改詳細內容請參考 DVP 程式篇手冊之附錄” 薄型系列特殊模組通訊” 篇。	
與 DVP-PLC 主機串接說明	模組編號以靠近主機之順序自動編號由 0 到 7，最大可連接 8 台且不佔用數位 I/O 點數	

■ 其他規格

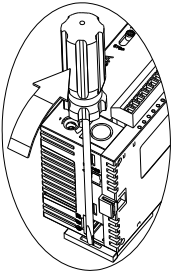
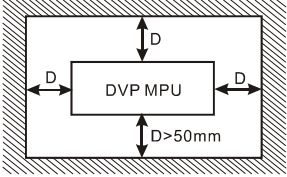
電源規格

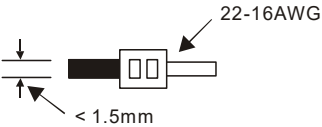
額定最大消耗功率 直流 24VDC (20.4VDC ~ 28.8VDC) (-15% ~ +20%)，2W，由外部電源供應。

環境規格	
操作/儲存環境	1. 操作：0°C ~ 55°C (溫度) · 5 ~ 95% (濕度) · 污染等級 2 2. 儲存：-25°C ~ 70°C (溫度) · 5 ~ 95% (濕度)
耐振動/衝擊	國際標準規範 IEC 61131-2 · IEC 68-2-6 (TEST Fc) / IEC 61131-2 & IEC 68-2-27 (TEST Ea)

③ 安裝及配線

■ 盤內安裝及配線

<p>DIN 鋁軌之安裝方法</p> <p>適合 35mm 之 DIN 鋁軌，主機欲掛於鋁軌時，先將 PLC 下方之固定塑膠片壓入，再將 PLC 由上方掛上再往下壓即可。欲取下 PLC 時，PLC 底部之固定塑膠片，以起子插入凹槽，向上撐開即可，該固定機構塑膠片為保持型，當所有的固定片撐開後，再將 PLC 往上外方取出，如右圖所示：</p>		<p>PLC 在安裝時，請裝配於封閉式之控制箱內，其周圍應保持一定之空間（如下圖所示），以確保 PLC 散熱功能正常。</p> <div style="text-align: center;">  </div>
---	---	--

<p>配線</p> 	<ol style="list-style-type: none"> 輸出/入配線端請使用 22-16AWG (1.5mm) 單蕊裸線或多蕊線，端子規格如左所示。PLC 端子鏢絲扭力為 1.95 kg-cm (1.7lb-in)。 在配線時請勿請輸入點信號線與輸出點或電源等動力線置於同一線槽內。 只能使用 60/75°C 銅導線。
--	---

④ 控制暫存器 CR

CR 編號	RS-485 參數位址	保持型	暫存器名稱	b15	b14	b13	b12	b11	b10	b9	b8	b7	b6	b5	b4	b3	b2	b1	b0
				保留				CH4			CH3		CH2		CH1				
#0	H'4000	○ R	機種型號	系統內定，資料長度 8 位元 (b7 ~ b0)。 DVP04AD-S 機種編碼= H'88。DVP04AD-S2 機種編碼= H'90。 使用者可在程式中將此機種型號讀出，以判斷擴充模組是否存在。															
#1	H'4001	○ R/W	輸入模式設定	輸入模式設定：出廠設定值為 H0000。 模式 0：電壓輸入模式 (-10V ~ +10V) 模式 1：電壓輸入模式 (-6V ~ +10V) 模式 2：電流輸入模式 (-12mA ~ +20mA) 模式 3：電流輸入模式 (-20mA ~ +20mA) 模式 7：通道關閉 (僅適用 DVP04AD-S2 機種)															
CR#1：內容值用來設定類比信號輸入模組內部四個通道的工作模式，每個通道各有四種模式，可獨立設定。 例如要將 CH1 ~ CH4 分別輸入設定為 CH1：模式 0 (b2 ~ b0=000) · CH2：模式 1 (b5 ~ b3=001) · CH3：模式 2 (b8 ~ b6=010) · CH4：模式 3 (b11 ~ b9=011) 時，須將 CR#1 設為 H'0688。較高位的位元 (b12 ~ b15) 將保留。																			
#2	H'4002	○ R/W	CH1 平均次數	通道 CH1 ~ CH2 訊號的平均次數設定，可設定範圍 K1 ~ K20。出廠設定值為 K10。															
#3	H'4003	○ R/W	CH2 平均次數																
#4	H'4004	○ R/W	CH3 平均次數																
#5	H'4005	○ R/W	CH4 平均次數																
#6	H'4006	× R	CH1 輸入信號平均值	通道 CH1 ~ CH4 輸入信號平均值顯示。 預設平均次數設定為 10，即每累計 10 次通道 CH1 ~ CH4 輸入信號時取一次平均。															
#7	H'4007	× R	CH2 輸入信號平均值																
#8	H'4008	× R	CH3 輸入信號平均值																
#9	H'4009	× R	CH4 輸入信號平均值																
#12	H'400C	× R	CH1 輸入信號現在值	通道 CH1 ~ CH4 輸入信號現在值顯示。															
#13	H'400D	× R	CH2 輸入信號現在值																
#14	H'400E	× R	CH3 輸入信號現在值																
#15	H'400F	× R	CH4 輸入信號現在值																
#18	H'4012	○ R/W	CH1 微調 OFFSET 值	通道 CH1 ~ CH4 訊號的 OFFSET 設定，出廠設定值為 K0，單位為 LSB。 電壓輸入時：可設定範圍 K-4,000 ~ K4,000 電流輸入時：可設定範圍 K-4,000 ~ K4,000															
#19	H'4013	○ R/W	CH2 微調 OFFSET 值																
#20	H'4014	○ R/W	CH3 微調 OFFSET 值																
#21	H'4015	○ R/W	CH4 微調 OFFSET 值																
#24	H'4018	○ R/W	CH1 微調 GAIN 值	通道 CH1 ~ CH4 訊號的 GAIN 設定，出廠設定值為 K4,000，單位為 LSB。 電壓輸入時：可設定範圍 K-3,200 ~ K16,000 電流輸入時：可設定範圍 K-3,200 ~ K10,400															
#25	H'4019	○ R/W	CH2 微調 GAIN 值																
#26	H'401A	○ R/W	CH3 微調 GAIN 值																
#27	H'401B	○ R/W	CH4 微調 GAIN 值																
CR#18 ~ CR#27：需特別注意 GAIN 值 - OFFSET 值 = +800 _{LSB} ~ +12,000 _{LSB} (電壓) 或 +800 _{LSB} ~ +6,400 _{LSB} (電流)，當此值較小時 (急斜線)，對於輸入信號之解析度較細，數位值可做較大的變化。當此值較大時 (緩斜線)，對於輸入信號之解析度較粗，數位值可做較小的變化。																			
#30	H'401E	× R	錯誤狀態	儲存所有錯誤狀態的資料暫存器，詳細內容請參照錯誤信息表。															

CR#30：錯誤狀態值請參照錯誤狀態表：

錯誤狀態	內容值	b15 ~ b12	b11	b10	b9	b8	b7	b6	b5	b4	b3	b2	b1	b0	
電源異常	K1 (H'1)	保留	0	0	0	0	0	0	0	0	0	0	0	1	
模式設定錯誤	K4 (H'4)		0	0	0	0	0	0	0	0	0	0	1	0	0
O/G 錯誤	K8 (H'8)		0	0	0	0	0	0	0	0	0	1	0	0	0
變換值異常	K32 (H'20)		0	0	0	0	0	0	1	0	0	0	0	0	0
平均次數設定錯誤	K64 (H'40)		0	0	0	0	0	1	0	0	0	0	0	0	0
指令錯誤	K128 (H'80)		0	0	0	0	1	0	0	0	0	0	0	0	0
通道 1 超出範圍	K256 (H'100)		0	0	0	1	0	0	0	0	0	0	0	0	0
通道 2 超出範圍	K512 (H'200)		0	0	1	0	0	0	0	0	0	0	0	0	0
通道 3 超出範圍	K1024 (H'400)		0	1	0	0	0	0	0	0	0	0	0	0	0
通道 4 超出範圍	K2048 (H'800)		1	0	0	0	0	0	0	0	0	0	0	0	0

註：每個錯誤狀態由相對應之位元 b0 ~ b11 決定，有可能會同時產生兩個以上之錯誤狀態，0 代表正常無錯誤，1 代表有錯誤狀態產生。

#31	H'401F	○	R/W	通訊位址設定	設定 RS-485 通訊位址，設定範圍 01 ~ 254。出廠設定值為 K1。
#32	H'4020	○	R/W	通訊格式設定	通訊速率共有 4,800 / 9,600 / 19,200 bps / 38,400 bps / 57,600 bps / 115,200 bps 六種可使用，資料格式可使用之設定如下： <u>DVP04AD-S</u> ASCII：7,E,1 / 7,O,1 / 8,E,1 / 8,O,1 / 8,N,1 RTU：8,E,1 / 8,O,1 / 8,N,1 <u>DVP04AD-S2</u> ASCII：7,E,1 / 7,O,1 / 7,N,1 / 8,E,1 / 8,O,1 / 8,N,1 / 7,E,2 / 7,O,2 / 7,N,2 / 8,E,2 / 8,O,2 / 8,N,2 RTU：8,E,1 / 8,O,1 / 8,N,1 / 8,E,2 / 8,O,2 / 8,N,2 出廠設定值為 ASCII,9600,7,E,1 (CR#32=H'0002) 詳細設定方式請參照表末之 CR#32 通訊格式設定說明。
#33	H'4021	○	R/W	恢復出廠設定及設定特性微調權限	出廠值 H' 0000，以 CH1 設定來說明： 1. 當 b0 為 0 時，可由使用者設定 CH1 的特性微調 CR#18、CR#24。當 b0 為 1 時，禁止使用者調整 CH1 特性微調 CR#18、CR#24。 2. 當 b1=0 時，使用 RS-485 通訊讀寫控制暫存器的情況下，特性微調暫存器為停電保持型。當 b1=1 時，特性微調暫存器為不停電保持。 3. b2 設定為 1 時，所有設定值將回復為原廠設定值。

CR#33：內容值用來設定一些內部功能的使用權如特性微調暫存器等。而輸出保持的功能將會於斷電前將輸出設定值存於內部記憶體中。

#34	H'4022	○	R	韌體版本	16 進制，顯示目前韌體版本，如 1.0A 則 H'010A。
#35 ~ #48	系統內部使用				

符號定義：○表示為停電保持型（須由 RS-485 通訊寫入才有停電保持功能）。

X表示為非停電保持型。

R 表示為可使用 FROM 指令讀取資料，或利用 RS-485 通訊讀取資料。

W 表示為可使用 TO 指令寫入資料，或利用 RS-485 通訊寫入資料。

LSB (Least Significant Bit) 最低有效位元值：1.電壓輸入：1_{LSB}=10V/8,000=1.25mV 2.電流輸入：1_{LSB}=20mA/4,000=5μA

※ 模組重置 (04AD-S 韌體版本 V4.12、04AD-S2 韌體版本 V4.16 以上才可使用)：若需要將此模組所有設定重置，首先需確保模組的電源輸入已連接電源，接著將重置指令 H'4352 寫入 CR#0，並斷電重啟，即完成所有設定的重置。

※ CR#0 ~ CR#34：對應之參數位址 H'4000 ~ H'4022 可提供使用者利用 RS-485 通訊來讀寫資料。

※ 功能碼 (Function)：03'H 讀出暫存器資料。06'H 寫入一個 word 資料至暫存器。10'H 寫入多筆 words 資料至暫存器。

※ 控制暫存器 (CR) 之 MODBUS 十進制通訊位址，可由控制暫存器表格中 16 進制通訊位址，轉換成十進制後再加上 1，即為 MODBUS 十進制通訊位址。Ex：CR#0 之 DVP 通訊位址為 H'4000，而 MODBUS 十進制位址為 16385。

※ DVP04AD-S CR#32 通訊格式設定說明：韌體版本 V4.10 (含) 以下，不開放資料格式 (b11~b8) 選擇，ASCII 固定為 7, E, 1 格式 (代碼 H'00xx)，RTU 固定為 8, E, 1 格式 (代碼 H'C0xx/H'80xx)。韌體版本為 V4.11 (含) 以上，請參考下表設定，並且請注意原先設定代碼 H'C0xx/H'80xx，被使用於新通訊格式時，模組將會自動改為 RTU, 8, E, 1。

b15 ~ b12		b11 ~ b8		b7 ~ b0	
ASCII/RTU 及檢查碼高低位交換		資料格式		通訊速率	
說明					
H'0	ASCII	H'0	7,E,1*1	H'01	4800 bps
H'8	RTU, 檢查碼高低位不交換	H'1	8,E,1	H'02	9600 bps
		H'2	保留	H'04	19200 bps
H'C	RTU, 檢查碼高低位交換	H'3	8,N,1	H'08	38400 bps
		H'4	7,O,1*1	H'10	57600 bps
		H'5	8,O,1	H'20	115200 bps

ex：欲設定「RTU (檢查碼高低位交換) 8,N,1,通訊速率為 57600 bps」，則對 CR#32 寫入 H'C310。

註 *1. 僅支援 ASCII 模式

※ DVP04AD-S2 CR#32 通訊格式設定說明：韌體版本 V4.14 (含) 以下，不開放資料格式 (b11~b8) 選擇，ASCII 固定為 7, E, 1 格式 (代碼 H'00xx)，RTU 固定為 8, E, 1 格式 (代碼 H'C0xx/H'80xx)。韌體版本為 V4.15 (含) 以上，請參考下表設定，並且請注意原先設定代碼 H'C0xx/H'80xx，被使用於新通訊格式時，模組將會自動改為 RTU, 8, E, 1。

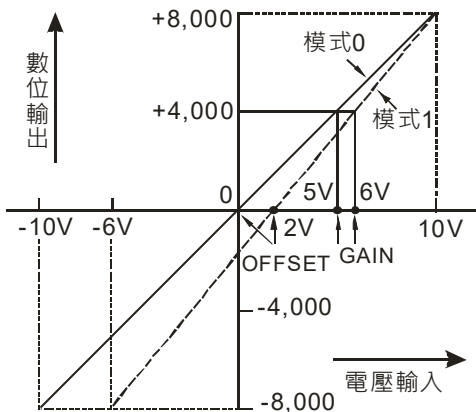
b15 ~ b12		b11 ~ b8		b7 ~ b0	
ASCII/RTU 及檢查碼高低位交換		資料格式		通訊速率	
說明					
H'0	ASCII	H'0	7,E,1*1	H'01	4800 bps
H'8	RTU, 檢查碼高低位不交換	H'1	8,E,1	H'02	9600 bps
		H'2	7,N,1*1	H'04	19200 bps
H'C	RTU, 檢查碼高低位交換	H'3	8,N,1	H'08	38400 bps
		H'4	7,O,1*1	H'10	57600 bps
		H'5	8,O,1	H'20	115200 bps
		H'6	7,E,2*1		
		H'7	8,E,2		
		H'8	7,N,2*1		
		H'9	8,N,2		
		H'A	7,O,2*1		
		H'B	8,O,2		

ex：欲設定 RTU (檢查碼高低位交換) 8,N,1, 通訊速率為 57600 bps，則對 CR#32 寫入 H'C310。

註 *1. 僅支援 ASCII 模式

⑤ 調整 A/D 轉換特性曲線

電壓輸入模式：



CR#1 之模式 0： GAIN=5V (4,000_{LSB}) · OFFSET=0V (0_{LSB}) .

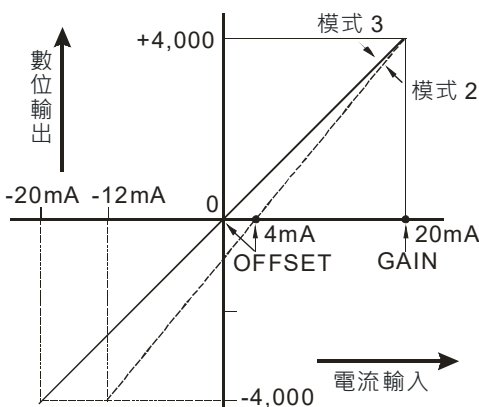
CR#1 之模式 1： GAIN=6V (4,800_{LSB}) · OFFSET=2V (1,600_{LSB}) .

GAIN： 當數位輸出值為 4,000 時的電壓輸入值。
設定範圍 -3,200_{LSB} ~ +16,000_{LSB} 。

OFFSET： 當數位輸出值為 0 時的電壓輸入值。
設定範圍 -4,000_{LSB} ~ +4,000_{LSB} 。

GAIN - OFFSET： 範圍須在 +800_{LSB} ~ +12,000_{LSB} 之間。

電流輸入模式：



CR#1 之模式 2： GAIN=20mA (4,000_{LSB}) · OFFSET=4mA (800_{LSB}) .

CR#1 之模式 3： GAIN=20mA (4,000_{LSB}) · OFFSET=0mA (0_{LSB}) .

GAIN： 當數位輸出值為 +4,000 時的電流輸入值。
範圍設定 -3,200_{LSB} ~ +10,400_{LSB} 。

OFFSET： 當數位輸出值為 0 時的電流輸入值。
範圍設定 -4,000_{LSB} ~ +4,000_{LSB} 。

GAIN - OFFSET： 範圍須在 +800_{LSB} ~ +6,400_{LSB} 之間。

上列表示電壓輸入模式與電流輸入模式之 A/D 轉換特性曲線，使用者可依據實際應用需要來調整轉換特性曲線，調整時以改變 OFFSET 值 (CR#18 ~ CR#21) 及 GAIN 值 (CR#24 ~ CR#27) 來進行。



注意事项

简体中文

- ✓ 请在使用之前，详细阅读本使用说明书。
- ✓ 请勿在上电时触摸任何端子。实施配线，务必关闭电源。
- ✓ 本机种为开放型 (OPEN TYPE) 机壳，因此使用者使用本机时，必须将之安装于具防尘、防潮及免于电击/冲击意外的外壳配线箱内。另必须具备保护措施 (如：特殊的工具或钥匙才可打开) 防止非维护人员操作或意外冲击本体，造成危险及损坏。
- ✓ 交流输入电源不可连接于输入/出信号端，否则可能造成严重的损坏，因此请在上电之前再次确认电源配线。
- ✓ 输入电源切断后，一分钟之内，请勿触摸内部电路。
- ✓ 本体上的接地端子 (⊕) 务必正确的接地，可提高产品抗噪声能力。

① 产品简介

■ 说明及周边装置

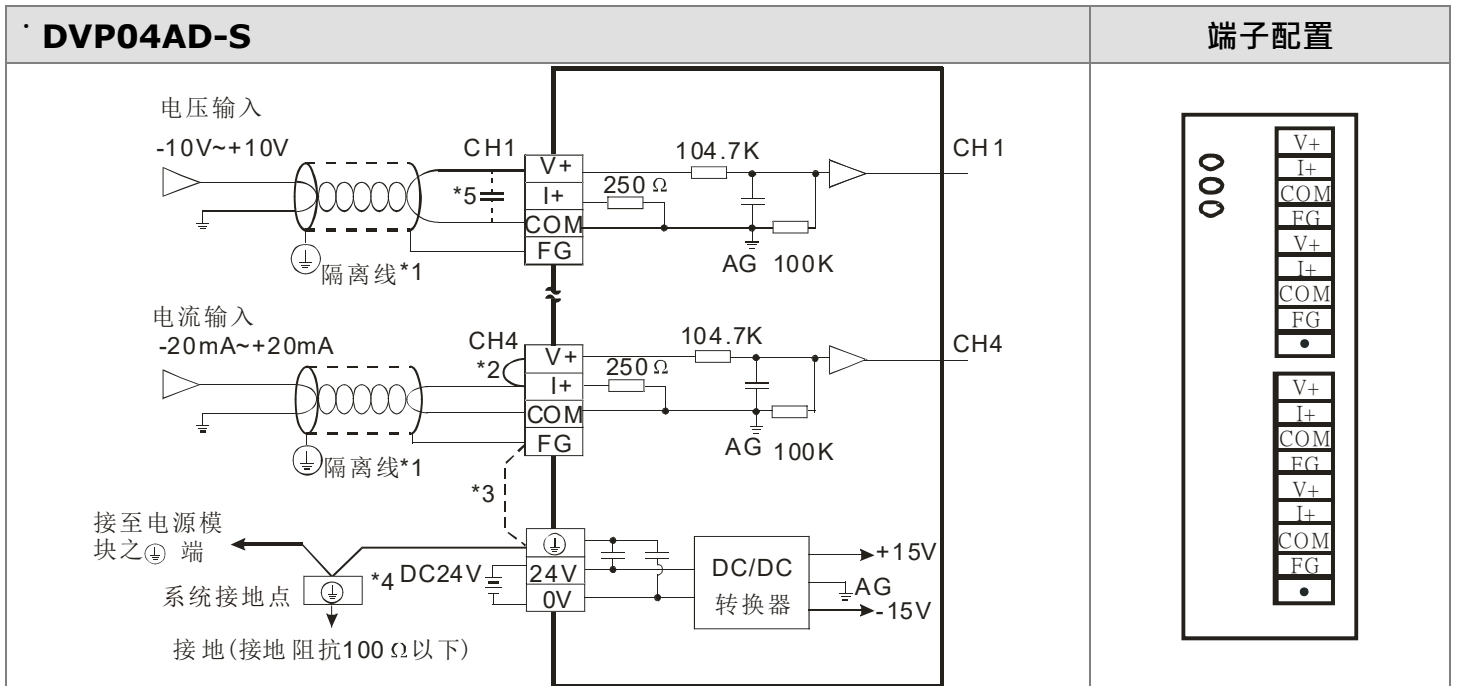
- 感谢您采用台达 DVP 系列产品。DVP04AD-S/DVP04AD-S2 模拟信号输入模块可接受外部 4 点模拟信号输入 (电压或电流皆可)，将之转换成 14 位的数字信号。透过 DVP 薄型系列 (Slim type) 主机程序以指令 FROM/TO 来读写模块内的数据，模块内具有 49 个 CR (Control Register) 寄存器，每个寄存器有 16 bits。
- 使用者可经由配线选择电压输入或电流输入。电压输入范围 $\pm 10\text{VDC}$ (分辨率为 1.25mV)。电流输入范围 $\pm 20\text{mA}$ (分辨率为 $5\mu\text{A}$)。

■ 产品外观及各部介绍

请参考英文版之 Figure 1 (尺寸单位：mm)。

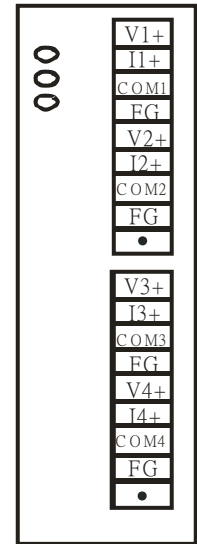
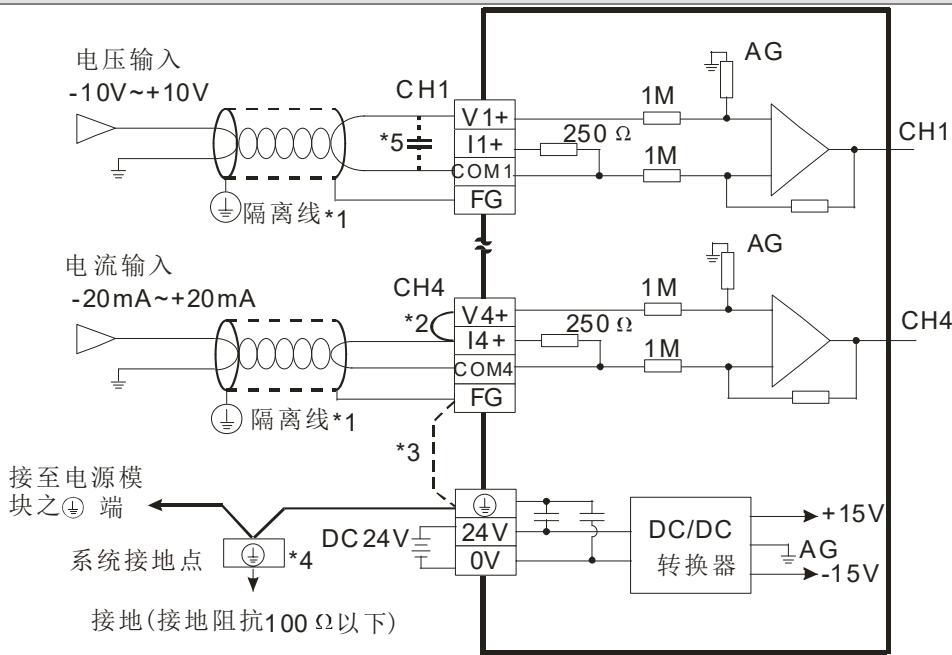
1. 电源、错误及运行指示灯	8. 扩展机/扩展模块接口
2. 机种型号	9. 扩展机/扩展模块固定扣
3. DIN 轨固定扣	10. DIN 轨槽 (35mm)
4. 端子	11. RS-485 通讯口
5. 端子配置	12. 扩展机/扩展模块固定槽
6. 扩展机/扩展模块定位孔	13. 电源输入口
7. 铭牌	14. 扩展机/扩展模块接口

■ 外部配线



DVP04AD-S2

端子配置



- 注 1：模拟输入请与其它电源线隔离。
 - 注 2：如果连接电流信号时，V+ 及 I+ (V4+ 及 I4+) 端子请务必短路。
 - 注 3：如果噪声过大请将 FG 及接地端子连接。
 - 注 4：请将电源模块之 ⊕ 端及模拟信号输入模块之 ⊕ 端连接到系统接地点，再将系统接点作第三种接地或接到配电箱之机壳上。
 - 注 5：如果输入电压有涟波造成配线受噪声干扰时，请连接 0.1 ~ 0.47μF 25V 之电容。
- 注意：线材长度需等长，单一线长 < 200 公尺，且单一线阻 < 100Ω。
- 注意：空端子 ● 请勿配线。

② 规格

■ 功能规格

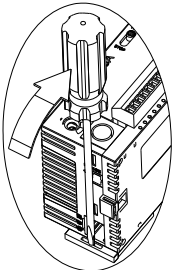
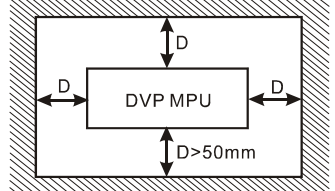
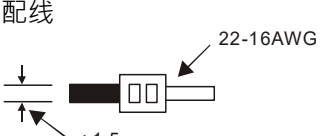
模拟/数字 (4A/D) 模块	电压输入 (Voltage input)	电流输入 (Current input)
电源电压	24VDC (20.4VDC ~ 26.4VDC) (-15% ~ +10%)	
模拟信号输入通道	4 通道/台	
模拟输入范围	±10V	±20mA
数字转换范围	±8,000	±4,000
分辨率	14 bits (1 _{LSB} =1.25mV)	13 bits (1 _{LSB} =5μA)
DVP04AD-S 输入阻抗	200KΩ	250Ω
DVP04AD-S2 输入阻抗	≥ 1MΩ	250Ω
总和精密度	±0.5% 在 (25°C · 77°F) 范围内满刻度时。 ±1% 在 (0 ~ 55°C · 32 ~ 131°F) 范围内满刻度时。	
回应时间	3ms × 通道数	
隔离方式	模拟与数字端使用光耦合器隔离，模拟通道间未隔离。	
绝对输入范围	±15V	±32mA
数字数据格式	16 位二补数	
平均功能	有 (CR#2 ~ CR#5 可设定，范围 K1 ~ K20)	
自我诊断功能	上下极限侦测/通道	
通讯模式 (RS-485)	有，包含 ASCII/RTU 模式，默认通讯格式为 9600, 7, E, 1, ASCII，详细通讯格式请参考 CR#32 说明。 备注 1：当与 PLC 主机串接时，RS-485 通讯无法使用。 备注 2：RS-485 通讯修改详细内容请参考 DVP 程序篇手册之附录“薄型系列特殊模块通讯”篇。	
与 DVP-PLC 主机串接说明	模块编号以靠近主机的顺序自动编号由 0 到 7，最大可连接 8 台且不占用数字 I/O 点数。	

■ 其它规格

电源规格	
额定最大消耗功率	直流 24VDC (20.4VDC ~ 26.4VDC) (-15% ~ +10%) · 2W · 由外部电源供应。
环境规格	
操作/储存环境	1. 操作：0°C ~ 55°C (温度) · 5 ~ 95% (湿度) · 污染等级 2 2. 储存：-25°C ~ 70°C (温度) · 5 ~ 95% (湿度)
耐振动/冲击	国际标准规范 IEC 61131-2 · IEC 68-2-6(TEST Fc) / IEC 61131-2 & IEC 68-2-27(TEST Ea)

③ 安装及配线

■ 盘内安装及配线

<p>DIN 铝轨的安装方法 适合 35mm 的 DIN 铝轨，主机欲挂于铝轨时，先将 PLC 下方的固定塑胶片压入，再将 PLC 由上方挂上再往下压即可。欲取下 PLC 时，PLC 底部下的固定塑胶片，以起子插入凹槽，向上撑开即可，该固定机构塑胶片为保持型，当所有的固定片撑开后，再将 PLC 往上外方取出，如右图所示：</p>		<p>PLC 在安装时，请装配于封闭式的控制箱内，其周围应保持一定的空间（如下图所示），以确保 PLC 散热功能正常。</p> <div style="text-align: center;">  </div>
<p>配线</p> 	<ol style="list-style-type: none"> 1. 输出/入配线端请使用 22-16AWG (1.5mm) 单蕊裸线或多蕊线，端子规格如左所示。PLC 端子螺丝扭力为 1.95 kg·cm (1.7lb-in)。 2. 在配线时请勿请输入点信号线与输出点或电源等动力线置于同一线槽内。 3. 只能使用 60/75°C 铜导线。 	

④ 控制寄存器 CR

DVP04AD-S 模拟信号输入模块					说明															
CR 编号	RS-485 参数地址	保持型	寄存器名称		b15	b14	b13	b12	b11	b10	b9	b8	b7	b6	b5	b4	b3	b2	b1	b0
					保留			CH4			CH3			CH2			CH1			
#0	H'4000	○	R	机种型号	系统内定，数据长度 8 位 (b7 ~ b0)。DVP04AD-S 机种编码= H'88。DVP04AD-S2 机种编码= H'90。使用者可在程序中将此机种型号读出，以判断扩展模块是否存在。															
#1	H'4001	○	R/W	输入模式设定	输入模式设定：出厂设定值为 H'0000 模式 0：电压输入模式 (-10V ~ +10V) 模式 1：电压输入模式 (-6V ~ +10V) 模式 2：电流输入模式 (-12mA ~ +20mA) 模式 3：电流输入模式 (-20mA ~ +20mA) 模式 7：通道关闭 (仅适用 DVP04AD-S2 机种)															
CR#1：内容值用来设定模拟信号输入模块内部四个通道的工作模式，每个通道各有四种模式，可独立设定。例如要将 CH1 ~ CH4 分别输入设定为 CH1：模式 0 (b2 ~ b0=000)，CH2：模式 1 (b5 ~ b3=001)，CH3：模式 2 (b8 ~ b6=010)，CH4：模式 3 (b11 ~ b9=011) 时，须将 CR#1 设为 H'0688，较高位的位 (b12 ~ b15) 将保留。出厂设定值为 H'0000。																				
#2	H'4002	○	R/W	CH1 平均次数	通道 CH1 ~ CH4 信号的平均次数设定，可设定范围 K1 ~ K20。出厂设定值为 K10。															
#3	H'4003	○	R/W	CH2 平均次数																
#4	H'4004	○	R/W	CH3 平均次数																
#5	H'4005	○	R/W	CH4 平均次数																
#6	H'4006	×	R	CH1 输入信号平均值	通道 CH1 ~ CH4 输入信号平均值显示。预设平均次数设定为 10，即每累计 10 次通道 CH1 ~ CH4 输入信号时取一次平均。															
#7	H'4007	×	R	CH2 输入信号平均值																
#8	H'4008	×	R	CH3 输入信号平均值																
#9	H'4009	×	R	CH4 输入信号平均值																
#12	H'400C	×	R	CH1 输入信号现在值	通道 CH1 ~ CH4 输入信号现在值显示。															
#13	H'400D	×	R	CH2 输入信号现在值																
#14	H'400E	×	R	CH3 输入信号现在值																
#15	H'400F	×	R	CH4 输入信号现在值																
#18	H'4012	○	R/W	CH1 微调 OFFSET 值	通道 CH1 ~ CH4 信号的 OFFSET 设定，出厂设定值为 K0，单位为 LSB。电压输入时：可设定范围 K-4,000 ~ K4,000 电流输入时：可设定范围 K-4,000 ~ K4,000															
#19	H'4013	○	R/W	CH2 微调 OFFSET 值																
#20	H'4014	○	R/W	CH3 微调 OFFSET 值																
#21	H'4015	○	R/W	CH4 微调 OFFSET 值																
#24	H'4018	○	R/W	CH1 微调 GAIN 值	通道 CH1 ~ CH4 信号的 GAIN 设定，出厂设定值为 K4,000，单位为 LSB。															

#25	H'4019	○	R/W	CH2 微调 GAIN 值	电压输入时：可设定范围 K-3,200 ~ K16,000 电流输入时：可设定范围 K-3,200 ~ K10,400
#26	H'401A	○	R/W	CH3 微调 GAIN 值	
#27	H'401B	○	R/W	CH4 微调 GAIN 值	

CR#18 ~ CR#27：需特别注意 GAIN 值 - OFFSET 值=+800_{LSB} ~ +12,000_{LSB} (电压) 或 +800_{LSB} ~ +6,400_{LSB} (电流)。当此值较小时 (急斜线)，对于输入信号的分辨率较细，数字值可做较大的变化。当此值较大时 (缓斜线)，对于输入信号的分辨率较粗，数字值可做较小的变化。

#30	H'401E	×	R	错误状态	储存所有错误状态的数据寄存器，详细内容请参照错误资讯表。
-----	--------	---	---	------	------------------------------

CR#30：错误状态值请参照错误状态表：

错误状态	内容值	b15 ~ b12	b11	b10	b9	b8	b7	b6	b5	b4	b3	b2	b1	b0
电源异常	K1 (H'1)	保留	0	0	0	0	0	0	0	0	0	0	0	1
模式设定错误	K4 (H'4)		0	0	0	0	0	0	0	0	0	1	0	0
O/G 错误	K8 (H'8)		0	0	0	0	0	0	0	0	1	0	0	0
变换值异常	K32 (H'20)		0	0	0	0	0	0	1	0	0	0	0	0
平均次数设定错误	K64 (H'40)		0	0	0	0	0	1	0	0	0	0	0	0
指令错误	K128 (H'80)		0	0	0	0	1	0	0	0	0	0	0	0
通道 1 超出范围	K256 (H'100)		0	0	0	1	0	0	0	0	0	0	0	0
通道 2 超出范围	K512 (H'200)		0	0	1	0	0	0	0	0	0	0	0	0
通道 3 超出范围	K1024 (H'400)		0	1	0	0	0	0	0	0	0	0	0	0
通道 4 超出范围	K2048 (H'800)		1	0	0	0	0	0	0	0	0	0	0	0

注：每个错误状态由相对应之位 b0 ~ b11 决定，有可能会同时产生两个以上之错误状态，0 代表正常无错误，1 代表有错误状态产生。

#31	H'401F	○	R/W	通讯地址设定	设定 RS-485 通讯地址，设定范围 01 ~ 254。出厂设定值为 K1。
-----	--------	---	-----	--------	---

通讯速率共有 4,800 / 9,600 / 19,200 bps / 38,400 bps / 57,600 bps / 115,200 bps 六种可使用，数据格式可使用之设定如下：

#32	H'4020	○	R/W	通讯格式设定	<p><u>DVP04AD-S</u> ASCII : 7,E,1/7,O,1/8,E,1/8,O,1/8,N,1 RTU : 8,E,1/8,O,1/8,N,1</p> <p><u>DVP04AD-S2</u> ASCII : 7,E,1/7,O,1/7,N,1/8,E,1/8,O,1/8,N,1/7,E,2/7,O,2/7,N,2/8,E,2/8,O,2/8,N,2 RTU : 8,E,1/8,O,1/8,N,1/8,E,2/8,O,2/8,N,2</p> <p>出厂设定值为 ASCII,9600,7,E,1 (CR#32=H'0002) 详细设定方式请参照表末之 CR#32 通讯格式设定说明。</p>
-----	--------	---	-----	--------	---

#33	H'4021	○	R/W	恢复出厂设定及设定特性微调许可权	<p>以 CH1 设定来说明：</p> <ol style="list-style-type: none"> 当 b0 为 1 时，可由使用者设定 CH1 的特性微调 CR#18 · CR#24。当 b0 为 0 时，禁止使用者调整 CH1 特性微调 CR#18 · CR#24。 当 b1=0 时，使用 RS-485 通讯读写控制寄存器的情况下，特性微调寄存器为停电保持型。当 b1=1 时，特性微调寄存器为不停电保持。 b2 设定为 1 时，所有设定值将回复为原厂设定值。
-----	--------	---	-----	------------------	---

CR#33：内容值用来设定一些内部功能的使用权如特性微调寄存器等。而输出保持的功能将会于断电前将输出设定值存于内部记忆体中。

#34	H'4022	○	R	韧体版本	16 进制，显示目前韧体版本，如 1.0A 则 H'010A。
-----	--------	---	---	------	---------------------------------

#35 ~ #48 系统内部使用

符号定义：○ 表示为停电保持型 (须由 RS-485 通讯写入才有停电保持功能)。

× 表示为非停电保持型。

R 表示为可使用 FROM 指令读取数据，或利用 RS-485 通讯读取数据。

W 表示为可使用 TO 指令写入数据，或利用 RS-485 通讯写入数据。

LSB (Least Significant Bit) 最低有效位值：1.电压输入：1_{LSB}=10V/8,000=1.25mV。

2.电流输入：1_{LSB}=20mA/4,000=5μA。

※ 模块重置 (04AD-S 韧体版本 V4.12、04AD-S2 韧体版本 V4.16 以上才可使用)：若需要将此模块所有设定重置，首先需确保模块的电源输入已连接电源，接着将重置指令 H'4352 写入 CR#0，并断电重启，即完成所有设定的重置。

※ CR#0 ~ CR#34：对应的参数地址 H'4000 ~ H'4022 可提供使用者利用 RS-485 通讯来读写数据。

※ 功能码 (Function)：03'H 读出寄存器数据。06'H 写入一个 word 数据至寄存器。10'H 写入多笔 words 数据至寄存器。

※ 控制寄存器 (CR) 之 MODBUS 十进制通讯地址，可由控制寄存器表格中 16 进制通讯地址，转换成十进制后再加上 1，即为 MODBUS 十进制通讯地址。Ex：CR#0 之 DVP 通讯地址为 H'4000，而 MODBUS 十进制地址为 16385。

※ DVP04AD-S CR#32 通讯格式设定说明：韧体版本 V4.10 (含) 以下，不开放数据格式 (b11~b8) 选择，ASCII 固定为 7, E, 1 格式 (代码 H'00xx)，RTU 固定为 8, E, 1 格式 (代码 H'C0xx/H'80xx)。韧体版本为 V4.11 (含) 以上，请参考下表设定，并且请注意原先设定代码 H'C0xx/H'80xx，被使用于新通讯格式时，模块将会自动改为 RTU, 8, E, 1。

b15 ~ b12	b11 ~ b8	b7 ~ b0
ASCII/RTU 及检查码高低位交换	数据格式	通讯速率

说明					
H'0	ASCII	H'0	7,E,1*1	H'01	4800 bps
H'8	RTU, 检查码高低位不交换	H'1	8,E,1	H'02	9600 bps
		H'2	保留	H'04	19200 bps
H'C	RTU, 检查码高低位交换	H'3	8,N,1	H'08	38400 bps
		H'4	7,O,1*1	H'10	57600 bps
		H'5	8,O,1	H'20	115200 bps

ex: 欲设定「RTU (检查码高低位交换) 8,N,1, 通讯速率为 57600 bps」, 则对 CR#32 写入 H'C310。

注 *1. 仅支援 ASCII 模式

※ DVP04AD-S2 CR#32 通讯格式设定说明: 韧体版本 V4.14 (含) 以下, 不开放数据格式 (b11~b8) 选择, ASCII 固定为 7, E, 1 格式 (代码 H'00xx)。RTU 固定为 8, E, 1 格式 (代码 H'C0xx/H'80xx)。韧体版本为 V4.15 (含) 以上, 请参考下表设定, 并且请注意原先设定代码 H'C0xx/H'80xx, 被用于新通讯格式时, 模块将会自动改为 RTU, 8, E, 1。

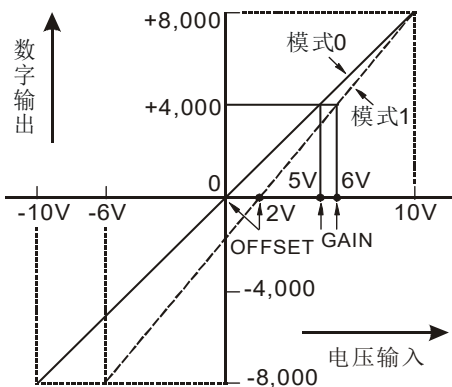
b15 ~ b12		b11 ~ b8		b7 ~ b0	
ASCII/RTU 及检查码高低位交换		数据格式		通讯速率	
说明					
H'0	ASCII	H'0	7,E,1*1	H'01	4800 bps
H'8	RTU, 检查码高低位不交换	H'1	8,E,1	H'02	9600 bps
		H'2	7,N,1*1	H'04	19200 bps
H'C	RTU, 检查码高低位交换	H'3	8,N,1	H'08	38400 bps
		H'4	7,O,1*1	H'10	57600 bps
		H'5	8,O,1	H'20	115200 bps
		H'6	7,E,2*1		
		H'7	8,E,2		
		H'8	7,N,2*1		
		H'9	8,N,2		
		H'A	7,O,2*1		
		H'B	8,O,2		

ex: 欲设定 RTU (检查码高低位交换) 8,N,1, 通讯速率为 57600 bps, 则对 CR#32 写入 H'C310。

注 *1. 仅支持 ASCII 模式

⑤ 调整 A/D 转换特性曲线

电压输入模式:



CR#1 之模式 0: GAIN=5V (4,000_{LSB}) · OFFSET=0V (0_{LSB}) .

CR#1 之模式 1: GAIN=6V (4,800_{LSB}) · OFFSET=2V (1,600_{LSB}) .

GAIN : 当数字输出值为 4,000 时的电压输入值。

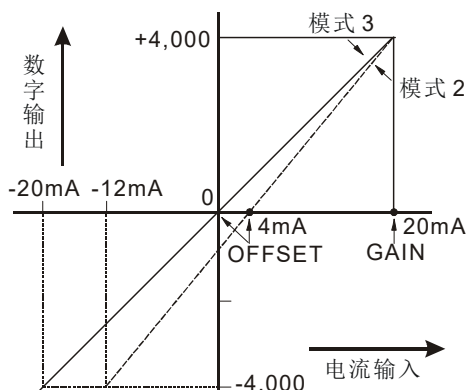
设定范围 -3,200_{LSB} ~ +16,000_{LSB} 。

OFFSET : 当数字输出值为 0 时的电压输入值。

设定范围 -4,000_{LSB} ~ +4,000_{LSB} 。

GAIN - OFFSET : 范围须在 +800_{LSB} ~ +12,000_{LSB} 之间。

电流输入模式:



CR#1 之模式 2: GAIN=20mA (4,000_{LSB}) · OFFSET=4mA (800_{LSB}) .

CR#1 之模式 3: GAIN=20mA (4,000_{LSB}) · OFFSET=0mA (0_{LSB}) .

GAIN : 当数字输出值为 0 时的电流输入值。

范围设定 -3,200_{LSB} ~ +10,400_{LSB} 。

OFFSET : 当数字输出值为 +4,000 时的电流输入值。

范围设定 -4,000_{LSB} ~ +4,000_{LSB} 。

GAIN - OFFSET : 范围须在 +800_{LSB} ~ +6,400_{LSB} 之间。

上列表示电压输入模式与电流输入模式之 A/D 转换特性曲线, 使用者可依据实际应用需要来调整转换特性曲线, 调整时以改变 OFFSET 值 (CR#18 ~ CR#21) 及 GAIN 值 (CR#24 ~ CR#27) 来进行。