

# DVP04TC-S

## Instruction Sheet

安 裝 說 明

安 裝 說 明

Temperature Measurement Module

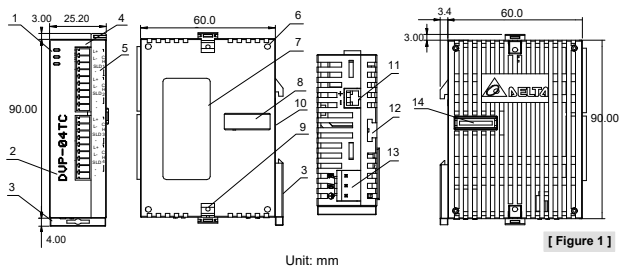
溫度量測模組

溫度量測模块

Thank you for choosing Delta DVP series PLC. DVP04TC-S is able to receive 4 points of external thermocouple temperature sensors and convert them into 14-point digital signals. Besides, through FROM/TO instructions in DVP Slim series MPU program, the data in the module can be read and written. There are many 16-bit control registers (CR) in DVP04TC-S. The power unit is separate from it and is small in size and easy to install.

- EN ✘ DVP04TC-S is an OPEN-TYPE device. It should be installed in a control cabinet free of airborne dust, humidity, electric shock and vibration. To prevent non-maintenance staff from operating DVP04TC-S, or to prevent an accident from damaging DVP04TC-S, the control cabinet in which DVP04TC-S is installed should be equipped with a safeguard. For example, the control cabinet in which DVP04TC-S is installed can be unlocked with a special tool or key.
- EN ✘ DO NOT connect AC power to any of I/O terminals, otherwise serious damage may occur. Please check all wiring again before DVP04TC-S is powered up. After DVP04TC-S is disconnected, Do NOT touch any terminals in a minute. Make sure that the ground terminal (⚡) on DVP04TC-S is correctly grounded in order to prevent electromagnetic interference.
- FR ✘ DVP04TC-S est un module OUVERT. Il doit être installé que dans une enceinte protectrice (boîtier, armoire, etc.) saine, dépourvue de poussière, d'humidité, de vibrations et hors d'atteinte des chocs électriques. La protection doit éviter que les personnes non habilitées à la maintenance puissent accéder à l'appareil (par exemple, une clé ou un outil doivent être nécessaire pour ouvrir a protection).
- FR ✘ Ne pas appliquer la tension secteur sur les bornes d'entrées/Sorties, ou l'appareil DVP04TC-S pourra être endommagé. Merci de vérifier encore une fois le câblage avant la mise sous tension du DVP04TC-S. Lors de la déconnection de l'appareil, ne pas toucher les connecteurs dans la minute suivante. Vérifier que la terre est bien reliée au connecteur de terre (⚡) afin d'éviter toute interférence électromagnétique.

## ■ Product Profile & Dimension



[ Figure 1 ]

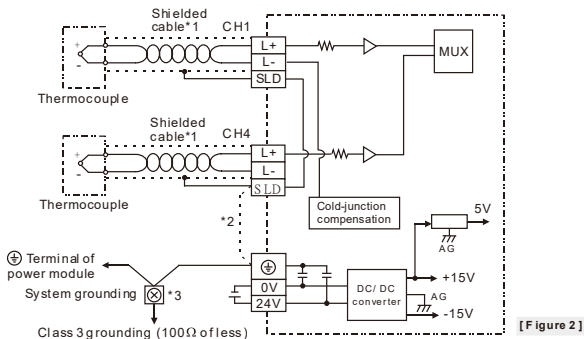
Unit: mm

1. Status indicator (POWER, RUN and ERROR)	2. Model name
3. DIN rail clip	4. I/O terminals
5. I/O point indicator	6. Mounting holes
7. Specification label	8. I/O module connection port
9. I/O module clip	10. DIN rail (35mm)
11. RS-485 communication port	12. I/O module clip
13. DC power input	14. I/O module connection port

## ■ I/O Terminal Layout



## External Wiring



[ Figure 2 ]

**Note1:** Use only the wires that are supplied with your thermocouple sensor. Tighten PLC terminal screws to a torque of 1.95 kg-cm (1.7 in-lbs).

**Note2:** Terminal SLD is a grounding location for noise suppression.

**Note3:** Please connect ⊕ power supply module terminal and ⊕ DVP04TC-S temperature measurement module terminal to system earth ground.

**Warning1:** Do NOT wire empty terminals.

**Warning2:** Only use copper conducting wires with a temperature rating of 60/75°C and the length must be less than 50 m.

**Warning3:** TC modules must run for 30 minutes before they start to take any temperature measurement.

## Electrical Specifications

Power supply voltage	24VDC (20.4VDC ~ 28.8VDC) (-15% ~ +20%)
Max. rated power consumption	2W, supplied by external power.
Operation/storage	Operation: 0°C~55°C (temperature), 5~95% (humidity), pollution degree 2 Storage: -25°C~70°C (temperature), 5~95% (humidity)
Vibration/shock resistance	International standards: IEC61131-2, IEC 68-2-6 (TEST Fc)/ IEC61131-2 & IEC 68-2-27 (TEST Ea)
Series connection to DVP-PLC MPU	The modules are numbered from 0 to 7 automatically by their distance from MPU. No.0 is the closest to MPU and No.7 is the furthest. Maximum 8 modules are allowed to connect to MPU and will not occupy any digital I/O points.

## Functional Specifications

DVP04TC-S	Celsius (°C)	Fahrenheit (°F)
Analog input channel	4 channels per module	
Sensors type	J-type, K-type, R-type, S-type, and T-type thermocouple	
Temperature input range	J-type: -100°C ~ 700°C K-type: -100°C ~ 1,000°C R & S type: -10°C ~ 1,700°C T-type: -100°C ~ 350°C	J-type: -148°F ~ 1,292°F K-type: -148°F ~ 1,832°F R & S type: -14°F ~ 3,092°F T-type: -148°F ~ 662°F
Digital conversion range	J-type: K-1,000 ~ K7,000 K-type: K-1,000 ~ K10,000 R & S type: K-100 ~ K17,000 T-type: K-1,000 ~ K3,500	J-type: K-3,280 ~ K12,920 K-type: K-1,480 ~ K18,320 R & S type: K-140 ~ K30,920 T-type: K-1,480 ~ K6,620
Resolution	0.1°C	0.18°F <sup>1</sup>
Overall accuracy	±0.5% of full scale of 25°C (77°F), ±1% of full scale during 0 ~ 55°C (32 ~ 131°F).	
Response time	200ms × channels	

Isolation method (between digital and analog circuits)	There is isolation between channels. 500VDC between digital / analog circuits and Ground 500VDC between analog circuits and digital circuits 500VDC between 24VDC and Ground
Digital data format	2's complement of 16-bit
Average function	Yes (CR#2 ~ CR#5)
Self diagnostic function	Yes
Communication mode (RS-485)	Supported, including ASCII/RTU mode. Default communication format: 9600, 7, E, 1, ASCII; refer to CR#32 for details on the communication format. Note1: RS-485 cannot be used when connected to CPU series PLCs. Note2: Refer to Slim Type Special Module Communications in the appendix E of the DVP programming manual for more details on RS-485 communication setups.

\*1: The unit of temperature would be displayed as 0.1°C/0.1°F. If the temperature unit is set to be Fahrenheit, the second decimal place would not be shown.

## ■ Control Register

CR#	Address	Save		Register content	Description										
#0	H'4096	O	R	Model name	Set up by the system: DVP04TC-S model code=H'8B										
#1	H'4097	O	R/W	Thermocouple type	<table border="1"> <tr> <td>b15~b12</td> <td>b11~b9</td> <td>b8~b6</td> <td>b5~b3</td> <td>b2~b0</td> </tr> <tr> <td>Reserved</td> <td>CH4</td> <td>CH3</td> <td>CH2</td> <td>CH1</td> </tr> </table>	b15~b12	b11~b9	b8~b6	b5~b3	b2~b0	Reserved	CH4	CH3	CH2	CH1
					b15~b12	b11~b9	b8~b6	b5~b3	b2~b0						
Reserved	CH4	CH3	CH2	CH1											
Example: Setting of CH1 1. (b2, b1, b0) set to (0, 0, 0), use J-type. 2. (b2, b1, b0) set to (0, 0, 1), use K-type. 3. (b2, b1, b0) set to (0, 1, 0), use R-type. 4. (b2, b1, b0) set to (0, 1, 1), use S-type. 5. (b2, b1, b0) set to (1, 0, 0), use T-type. Note: With version V4.20 and above, you can choose a certain channel. For example, set (b2, b1, b0) to (1, 1, 0) and CH1 would be closed.															
CR#1: Used to set the working mode of four channels. There are 5 modes (J-type, K-type, R-type, S-type, and T-type) for each channel and can be set individually. For example, if you want to set CH1~CH4 as following: CH1: J-type (b2 ~ b0=000), CH2: K-type (b5 ~ b3=001), CH3: J-type (b8 ~ b6=000) and CH4: K-type (b11 ~ b9=001), you should set CR#1 to H'0208. The higher bits (b12 ~ b15) will be reserved and the default setting is H'0000.															
#2	H'4098	O	R/W	CH1 average number	Number piece of readings used for the calculation of "average" temperature on channels CH1 ~ CH4. Setting range: For versions prior to V3.04: K1 ~ K4,095. For versions after V3.05: K1 ~ K20. Default setting is K10.										
#3	H'4099	O	R/W	CH2 average number											
#4	H'409A	O	R/W	CH3 average number											
#5	H'409B	O	R/W	CH4 average number											
CR#2 ~ CR#5: Please be noticed that when PLC sets average times via TO/DTO instructions, please use rising-edge/falling-edge detection instruction (such as LDP and LDF) to get correct average times.															
#6	H'409C	X	R	CH1 average degrees	Average degrees for channels CH1 ~ CH4. (Unit: 0.1°C).										
#7	H'409D	X	R	CH2 average degrees											
#8	H'409E	X	R	CH3 average degrees											
#9	H'409F	X	R	CH4 average degrees											
#10	H'40A0	X	R	CH1 average degrees	Average degrees for channels CH1 ~ CH4. (Unit: 0.1°F).										
#11	H'40A1	X	R	CH2 average degrees											
#12	H'40A2	X	R	CH3 average degrees											
#13	H'40A3	X	R	CH4 average degrees											
#14	H'40A4	X	R	Present temp. of CH1	Present temperature of channels CH1 ~ CH4. (Unit: 0.1°C).										
#15	H'40A5	X	R	Present temp. of CH2											
#16	H'40A6	X	R	Present temp. of CH3											
#17	H'40A7	X	R	Present temp. of CH4											
#19	H'40A9	X	R	Present temp. of CH1	Present temperature of channels CH1 ~ CH2. (Unit: 0.1°F).										
#20	H'40AA	X	R	Present temp. of CH2											
#21	H'40AB	X	R	Present temp. of CH3	Present temperature of channels CH3 ~ CH4. (Unit: 0.1°F).										
#22	H'40AC	X	R	Present temp. of CH4											

#24	H'40AE	O	R/W	CH1 OFFSET Value	Adjust offset value of channels CH1 ~ CH4. The range is -1,000 ~ +1,000 and default setting is K0. (Unit: 0.1°C).										
#25	H'40AF	O	R/W	CH2 OFFSET Value											
#26	H'40B0	O	R/W	CH3 OFFSET Value											
#27	H'40B1	O	R/W	CH4 OFFSET Value											
#29	H'40B3	X	R/W	PID mode setting	Set H'5678 to enable PID mode, other set values are invalid. Default: H'0000.										
#30	H'40B4	X	R	Error status	Data register stores the error status. Refer to the error code chart for details.										
#31	H'40B5	O	R/W	Communication address setting	RS-485 communication address. Setting range is 1 ~ 254 and default setting is K1.										
#32	H'40B6	O	R/W	Communication format setting	It is used to set communication format. For baud rate, the settings are 4,800/9,600/19,200/38,400/57,600/115,200 bps. Communication format: ASCII : 7,E,1 / 7,O,1 / 8,E,1 / 8,O,1 / 8,N,1 RTU : 8,E,1 / 8,O,1 / 8,N,1 Factory default : ASCII,9600,7,E,1 (CR#32=H'0002) Refer to ※CR#32 communication format settings at the end of this table for more information.										
#33	H'40B7	O	R/W	Reset to default setting	<table border="1"> <tr> <td>b15~b12</td> <td>b11~ b9</td> <td>b8~b6</td> <td>b5~b3</td> <td>b2~b0</td> </tr> <tr> <td>ERR LED</td> <td>CH4</td> <td>CH3</td> <td>CH2</td> <td>CH1</td> </tr> </table>	b15~b12	b11~ b9	b8~b6	b5~b3	b2~b0	ERR LED	CH4	CH3	CH2	CH1
					b15~b12	b11~ b9	b8~b6	b5~b3	b2~b0						
ERR LED	CH4	CH3	CH2	CH1											
					<p>Example: Setting of CH1</p> <ol style="list-style-type: none"> <li>b0 ~ b1: Reserved.</li> <li>b2: Set to 1 and PLC will be reset to default settings.</li> </ol> <p>Definition of ERR LED: b12~b15=1111 (default settings)</p> <ol style="list-style-type: none"> <li>b12 corresponds to CH1: when b12=1, scale exceeds the range, ERR LED flashes.</li> <li>b13 corresponds to CH2: when b13=1, scale exceeds the range, ERR LED flashes.</li> <li>b14 corresponds to CH3: when b14=1, scale exceeds the range, ERR LED flashes.</li> <li>b15 corresponds to CH4: when b15=1, scale exceeds the range, ERR LED flashes</li> </ol>										
#34	H'40B8	O	R	Software version	Display the software version in hexadecimal. Example: H'010A = version 1.0A										
#35 ~ #48				System used											
<p>Symbols: O: means latched. (Support when using RS-485 communication, not support when connecting with MPU)</p> <p>X: means not latched. R: able to read data by using FROM instruction or RS-485.</p> <p>W: able to write data by using TO instruction or RS-485.</p>															

- Added the RESET function for modules with firmware V4.14 or later. Connect the module power input to 24 VDC and write H'4352 into CR#0 and then turn the power off and on again; all parameters in modules, including communication parameters are restored to factory defaults.
- If you want to use Modbus address in decimal format, you can transfer a hexadecimal register to decimal format and then add one to have it become a decimal Modbus register address. For example transferring the address "H'4096" of CR#0 in hexadecimal format to decimal format, to have the result 16534 and then adding one to it, you have 16535, the Modbus address in decimal format.
- CR#32 communication format settings: for modules with firmware V4.12 or previous versions, b11~b8 data format selection is not available. For ASCII mode, the format is fixed to 7, E, 1 (H'00XX) and for RTU mode, the format is fixed to 8, E, 1 (H'C0xx/H'80xx). For modules with firmware V4.13 or later, refer to the following table for setups. Note that the original code H'C0XX/H'80XX will be seen as RTU, 8, E, 1 for modules with firmware V4.13 or later.

b15 ~ b12		b11 ~ b8		b7 ~ b0	
ASCII/RTU, exchange low and high byte of CRC check code		Data format		Baud rate	
Description					
H'0	ASCII	H'0	7,E,1*	H'01	4800 bps

H'8	RTU, do not exchange low and high byte of CRC check code	H'1	8,E,1	H'02	9600 bps
		H'2	reserved	H'04	19200 bps
H'C	RTU, exchange low and high byte of CRC check code	H'3	8,N,1	H'08	38400 bps
		H'4	7,O,1*1	H'10	57600 bps
		H'5	8,O,1	H'20	115200 bps

Note \*1: This is only available for ASCII format.

Ex: Write H'C310 into CR#32 for a result of RTU, exchange low and high byte of CRC check code, 8,N,1 and baud rate at 57600 bps.

- Function codes: 03'H is for reading data from registers. 06'H is for writing a word data into registers. 10'H is for writing multiple word data into registers.
- CR#30 is the error code register. Refer to the chart below:

Error description	Content	b15 ~ b8	b7	b6	b5	b4	b3	b2	b1	b0
Power source abnormal	K1 (H'1)	Reserved	0	0	0	0	0	0	0	1
Wiring to empty external contact	K2 (H'2)		0	0	0	0	0	0	1	0
Setting mode error	K4 (H'4)		0	0	0	0	0	1	0	0
Offset/Gain error	K8 (H'8)		0	0	0	0	1	0	0	0
Temperature sensor error	K16 (H'10)		0	0	0	1	0	0	0	0
Digital range error	K32 (H'20)		0	0	1	0	0	0	0	0
Average times setting error	K64 (H'40)		0	1	0	0	0	0	0	0
Instruction error	K128 (H'80)		1	0	0	0	0	0	0	0

Note: Each error code will have corresponding bit (b0 ~ b7). Two or more errors may happen at the same time. 0 means normal and 1 means having error.

- When CR#29 is set to H'5678, CR#0 ~ CR#34 can be used for PID settings in DVP04TC-S V3.08 and versions above.

PID Mode description													
CR#	Keep	R/W		CR#	Keep	R/W							
#0	O	R	Model name	#24	O	R/W	CH1 K <sub>p</sub>						
#1	X	R/W	Thermocouple type	#25	O	R/W	CH2 K <sub>p</sub>						
#2	X	R	PID Output % at CH1	#26	O	R/W	CH3 K <sub>p</sub>						
#3	X	R	PID Output % at CH2	#27	O	R/W	CH4 K <sub>p</sub>						
#4	X	R	PID Output % at CH3	#28	X	R/W	Run/Stop & Auto tuning Bit0 : CH1 PID Run/Stop Bit1 : CH2 PID Run/Stop Bit2 : CH3 PID Run/Stop Bit3 : CH4 PID Run/Stop 0=PID Stop · 1=PID Run						
#5	X	R	PID Output % at CH4										
CR#2~CR#5 : 0~1000; Unit: 0.1%													
#6	X	R	Average temperature (°C) at CH1										
#7	X	R	Average temperature (°C) at CH2										
#8	X	R	Average temperature (°C) at CH3										
#9	X	R	Average temperature (°C) at CH4										
CR#6~CR#9 : Unit: 0.1%													
#10	O	R/W	Set temperature at CH1										
#11	O	R/W	Set temperature at CH2										
#12	O	R/W	Set temperature at CH3										
#13	O	R/W	Set temperature at CH4										
CR#10~CR#13: Set the PID target value (SV)													
#14	O	R/W	CH1 K <sub>p</sub>	#29	X	R/W	Enter PID mode(H'5678) K0: Exit the PID mode						
#15	O	R/W	CH2 K <sub>p</sub>										
#16	O	R/W	CH3 K <sub>p</sub>	#30	X	R	Error code						
#17	O	R/W	CH4 K <sub>p</sub>	#31	O	R/W	CH1 Sampling time						
#19	O	R/W	CH1 K <sub>i</sub>	#32	O	R/W	CH2 Sampling time						
#20	O	R/W	CH2 K <sub>i</sub>	#33	O	R/W	CH3 Sampling time						
#21	O	R/W	CH3 K <sub>i</sub>	#34	O	R/W	CH4 Sampling time						
#22	O	R/W	CH4 K <sub>i</sub>	CR#31~CR#34: 1~30; Unit: 1s									

Note: Users have to enter the PID mode (CR#29=H'5678) before setting other control registers.

感謝您採用台達 DVP 系列產品。DVP04TC-S 溫度量測模組可接受外部 4 點熱電耦溫度感測器，將之轉換成 14 位元之數位信號。透過 DVP 薄型系列 ( Slim type ) 主機程式以指令 FROM/TO 來讀寫模組內之資料，模組內具有多個控制暫存器 ( CR )，每個暫存器有 16 bits。電源單元與模組分離，體積小，安裝容易。

- ✦ 請在使用之前，詳細閱讀本使用說明書。實施配線，請務必關閉電源。上電時請勿接觸機體端子或進行維修。輸入電源切斷後，一分鐘之內，請勿觸摸內部電路。
- ✦ 本機為開放型 ( OPEN TYPE ) 機殼，因此使用者使用本機時，必須將之安裝於具防塵、防潮及免於電擊/衝擊意外之外殼配線箱內。另必須具備保護措施 ( 如：特殊之工具或鑰匙才可打開 ) 防止非維護人員操作或意外衝擊本體，造成危險及損壞。
- ✦ 交流輸入電源不可連接於輸入 / 輸出端，否則可能造成嚴重的損壞，因此請在上電之前再次確認電源配線。
- ✦ 本體上之接地端子  $\oplus$  務必正確的接地，可提高產品抗雜訊能力。
- ✦ 由測溫體到溫調本體的配線路請用最短距離配線，為了避免雜訊及誘導的影響儘可能將電源線和負載配線分開。
- ✦ DVP04TC-S 溫度量測模組本身體積小，在空間溫度傳導特性易受其他模組熱源影響其量測準確性；建議於安裝配置時盡量配置於最外側，並儘量避免串接於產生熱源較高的數位輸出模組及類比輸出模組。
- ✦ DVP04TC-S 溫度量測模組之輸入誤差會因串接模組熱源所影響，產生的誤差皆在產品規格 (  $\pm 1.5^{\circ}\text{C}$  ) 以內；如需更精密控制請於該操作環境動作 30 分鐘後，輸入標準溫度源進行各通道之誤差值調校 ( Offset )。
- ✦ 為了使測定溫度精確值穩定，在室溫操作上電後需要約 20 分鐘的預熱時間 (  $50^{\circ}\text{C}$  約需 30 分鐘預熱時間 )。

## ■ 產品外觀尺寸與部位介紹

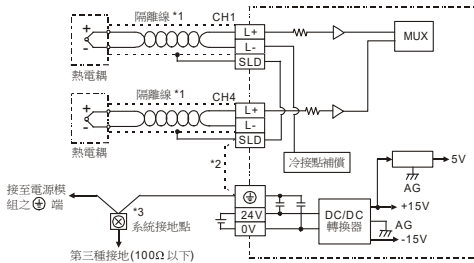
詳細部位指示圖與外觀尺寸請參閱英文版 [Figure1]，單位：mm。

1. 電源、錯誤及運行指示燈	2. 機種型號	3. DIN 軌固定扣
4. 端子	5. 端子配置	6. I/O 模組定位孔
7. 銘牌	8. I/O 模組連接埠	9. I/O 模組固定扣
10. DIN 軌槽 (35mm)	11. RS-485 通訊埠	12. I/O 模組固定槽
13. 電源輸入口	14. I/O 模組連接埠	

## ■ 輸入輸出端子台配置

請參閱英文版之端子台配置示意圖。

## ■ 外部配線



註1：使用於類比輸入的配線應採用 J, K, R, S, T 型熱電耦溫度感測器之連接線或隔離線，且應與其他電源線或可能引起雜訊之接線分開。端子鏢絲扭力為 1.95 kg-cm ( 1.7 in-lbs )。

註2：如果雜訊過大請將 SLD 及接地端子連接。

註3：請將電源模組之  $\oplus$  端及 DVP04TC-S 溫度量測模組之  $\oplus$  端連接到系統接地點，再將系統接地點作第三種接地或接到配電箱之機殼上。

注意1：空端子請勿配線。只能使用  $60/75^{\circ}\text{C}$  的銅導線。

注意2：線材長度需  $< 50\text{m}$ 。

注意3：TC 模組溫度量測前，需暖機 30 分鐘。

## ■ 電氣規格

電源電壓	24VDC (20.4VDC ~ 28.8VDC) (-15% ~ +20%)
額定最大消耗功率	2W, 由外部電源供應
操作/儲存環境	1. 操作: 0°C ~ 55°C (溫度), 5 ~ 95% (濕度), 污染等級 2 2. 儲存: -25°C ~ 70°C (溫度), 5 ~ 95% (濕度)
耐振動/衝擊	國際標準規範IEC61131-2, IEC 68-2-6 (TEST Fc)/IEC61131-2 & IEC 68-2-27 (TEST Ea)
與DVP-PLC主機串接說明	模組編號以靠近主機之順序自動編號由0到7, 最大可連接8台且不佔用數位I/O點數。

## ■ 功能規格

DVP04TC-S	攝氏 (°C)	華氏 (°F)
類比訊號輸入通道	4通道 / 台	
適合感應器形式	J-type, K-type, R-type, S-type, T-type 熱電偶	
輸入溫度範圍	J-type : -100°C ~ 700°C K-type : -100°C ~ 1,000°C R & S type : -10°C ~ 1,700°C T-type : -100°C ~ 350°C	J-type : -148°F ~ 1,292°F K-type : -148°F ~ 1,832°F R & S type : -14°F ~ 3,092°F T-type : -148°F ~ 662°F
數位轉換範圍	J-type : K-1,000 ~ K7,000 K-type : K-1,000 ~ K10,000 R & S type : K-100 ~ K17,000 T-type : K-1,000 ~ K3,500	J-type : K-3,280 ~ K12,920 K-type : K-1,480 ~ K18,320 R & S type : K-140 ~ K30,920 T-type : K-1,480 ~ K6,620
解析度	0.1°C	0.18°F <sup>1</sup>
總和精密度	±0.5% 在 (25°C, 77°F) 範圍內滿刻度時。 ±1% 在 (0 ~ 55°C, 32 ~ 131°F) 範圍內滿刻度時。	
響應時間	200ms × 通道數	
隔離方式	數位區與類比區有隔離, 通道間隔離。 數位電路與接地之間: 500VDC 類比電路與數位電路之間: 500VDC 類比電路與接地之間: 500VDC 24VDC與接地之間: 500VDC	
數位資料格式	16位元二補數	
平均功能	有 (CR#2 ~ CR#5)	
自我診斷功能	上下極限偵測 / 通道	
通訊模式 (RS-485)	有, 包含ASCII/RTU模式, 預設通訊格式為9600, 7, E, 1, ASCII, 詳細通訊格式請參考CR#32說明。 備註1: 當與PLC主機串接時, RS-485通訊無法使用。 備註2: RS-485通訊修改詳細內容請參考DVP程式篇手冊之附錄「薄型系列特殊模組通訊」篇。	

\*1. 溫度顯示單位為0.1°C/0.1°F, 若溫度單位選擇華氏, 小數點第二位將不被顯示

## ■ 控制暫存器 (CR)

CR#	參數位址	保持型	暫存器名稱	說明										
#0	H'4096	O R	機種型號	系統內定, DVP04TC-S機種編碼=H'8B。										
#1	H'4097	O R/W	熱電偶型式	<table border="1"> <tr> <td>b15~b12</td> <td>b11~b9</td> <td>b8~b6</td> <td>b5~b3</td> <td>b2~b0</td> </tr> <tr> <td>保留</td> <td>CH4</td> <td>CH3</td> <td>CH2</td> <td>CH1</td> </tr> </table> <p>以CH1設定來說明: 1. (b2~b0) 設為(0, 0, 0) 時, 選用J-type。 2. (b2~b0) 設為(0, 0, 1) 時, 選用K-type。 3. (b2~b0) 設為(0, 1, 0) 時, 選用R-type。 4. (b2~b0) 設為(0, 1, 1) 時, 選用S-type。 5. (b2~b0) 設為(1, 0, 0) 時, 選用T-type。</p> <p>註: 版本V4.20以上可設定通道關閉, 以CH1設定為例, (b2~b0) 設為(1, 1, 0) 時, 通道關閉。</p>	b15~b12	b11~b9	b8~b6	b5~b3	b2~b0	保留	CH4	CH3	CH2	CH1
b15~b12	b11~b9	b8~b6	b5~b3	b2~b0										
保留	CH4	CH3	CH2	CH1										



CR#	參數位址	保持型	暫存器名稱	說明
<p>CR#1：內容值用來設定溫度量測模組選擇感應器內部四個通道的工作模式，每個通道各有5種模式，可獨立設定。例如要將CH1 ~ CH4分別輸入設定為CH1：J-type (b2 ~ b0=000)，CH2：K-type (b5 ~ b3=001)，CH3：J-type (b8 ~ b6=000)，CH4：K-type (b11 ~ b9=001) 時，須將CR#1設為H'0208。較高位的位元 (b12 ~ b15) 將保留。出廠設定值為H'0000。</p>				
#2	H'4098	O	R/W	CH1平均次數
#3	H'4099	O	R/W	CH2平均次數
#4	H'409A	O	R/W	CH3平均次數
#5	H'409B	O	R/W	CH4平均次數
<p>通道CH1 ~ CH4訊號的平均次數設定： V3.04以前版本：可設定範圍K1 ~ K4,095。 V3.05以後版本：可設定範圍K1 ~ K20。 出廠設定值為K10。</p>				
<p>CR#2 ~ CR#5：注意，當PLC主機利用TO/DTO指令寫入的平均次數設定時，請使用接點上升下降緣檢出指令(LDP/LDF...)，以免無法求得正確之輸入信號平均值。</p>				
#6	H'409C	X	R	CH1量測攝氏溫度平均值
#7	H'409D	X	R	CH2量測攝氏溫度平均值
#8	H'409E	X	R	CH3量測攝氏溫度平均值
#9	H'409F	X	R	CH4量測攝氏溫度平均值
<p>通道CH1 ~ CH4量測攝氏溫度平均值顯示。單位0.1°C。</p>				
#10	H'40A0	X	R	CH1量測華氏溫度平均值
#11	H'40A1	X	R	CH2量測華氏溫度平均值
#12	H'40A2	X	R	CH3量測華氏溫度平均值
#13	H'40A3	X	R	CH4量測華氏溫度平均值
<p>通道CH1 ~ CH4量測華氏溫度平均值顯示。單位0.1°F。</p>				
#14	H'40A4	X	R	CH1量測攝氏溫度現在值
#15	H'40A5	X	R	CH2量測攝氏溫度現在值
#16	H'40A6	X	R	CH3量測攝氏溫度現在值
#17	H'40A7	X	R	CH4量測攝氏溫度現在值
<p>通道CH1 ~ CH4量測攝氏溫度現在值顯示。單位0.1°C。</p>				
#19	H'40A9	X	R	CH1量測華氏溫度現在值
#20	H'40AA	X	R	CH2量測華氏溫度現在值
#21	H'40AB	X	R	CH3量測華氏溫度現在值
#22	H'40AC	X	R	CH4量測華氏溫度現在值
<p>通道CH1 ~ CH4量測華氏溫度現在值顯示。單位0.1°F。</p>				
#24	H'40AE	O	R/W	CH1 OFFSET值
#25	H'40AF	O	R/W	CH2 OFFSET值
#26	H'40B0	O	R/W	CH3 OFFSET值
#27	H'40B1	O	R/W	CH4 OFFSET值
<p>通道CH1 ~ CH4提供使用者自行調整的OFFSET。可調範圍：-1,000 ~ +1,000。出廠設定值為K0，單位0.1°C。 OFFSET值定義：模組量測溫度-OFFSET值=實際顯示溫度。</p>				
#29	H'40B3	X	R/W	PID模式設定
<p>設定H'5678進入PID模式，其他設定值皆為一般模式。出廠設定值H'0000。</p>				
#30	H'40B4	X	R	錯誤狀態
<p>儲存所有錯誤狀態的資料暫存器，詳細內容請參照錯誤信息表。</p>				
#31	H'40B5	O	R/W	通訊位址設定
<p>設定RS-485通訊位址，設定範圍01 ~ 254。出廠設定值為K1。</p>				
#32	H'40B6	O	R/W	通訊格式設定
<p>通訊速率共有4,800 / 9,600 / 19,200 bps / 38,400 bps / 57,600 bps / 115,200 bps六種可使用，資料格式可使用之設定如下： ASCII：7,E,1 / 7,O,1 / 8,E,1 / 8,O,1 / 8,N,1 RTU：8,E,1 / 8,O,1 / 8,N,1 出廠設定值為ASCII,9600,7,E,1 (CR#32=H'0002) 詳細設定方式請參照表末之CR#32通訊格式設定說明。</p>				

CR#	參數位址	保持型	暫存器名稱	說明					
#33	H'40B7	O	R/W	恢復出廠設定	b15~b12	b11~ b9	b8~b6	b5~b3	b2~b0
					ERR燈	CH4	CH3	CH2	CH1
					以CH1設定來說明： 1. b0 ~ b1保留。b2設定為1時，所有設定值將回復原廠設定值。 ERR燈定義：原廠設定值b12 ~ b15 = 1111 1. b12對應CH1，當b12=1時，刻度超過ERR燈閃爍動作。 2. b13對應CH2，當b13=1時，刻度超過ERR燈閃爍動作。 3. b14對應CH3，當b14=1時，刻度超過ERR燈閃爍動作。 4. b15對應CH4，當b15=1時，刻度超過ERR燈閃爍動作。				
#34	H'40B8	O	R	韌體版本	16進制，顯示目前韌體版本，如1.0A則H'010A。				
#35 ~ #48			系統內部使用						

符號定義：

O表示為保持型（利用RS-485通訊控制時支援，連接主機時不支援）。

X表示為非保持型。

R表示為可使用FROM指令讀取資料，或利用RS-485通訊讀取資料。

W表示為可使用TO指令寫入資料，或利用RS-485通訊寫入資料。

1. 模組重置（韌體版本 V4.14 以上）：若需要將此模組所有設定重置，首先需確保模組的電源輸入口已連接電源，接著將重置指令 H'4352 寫入 CR#0，並斷電重啟，即完成所有設定的重置。
2. 控制暫存器（CR）之 MODBUS 十進制通訊位址，可由控制暫存器表格中 16 進制通訊位址，轉換成十進制後再加上 1，即為 MODBUS 十進制通訊位址。Ex: CR#0 之 DVP 通訊位址為 H'4096，而 MODBUS 十進制位址為 16535。
3. CR#32 通訊格式設定說明：韌體版本 V4.12（含）以下，不開放資料格式（b11~b8）選擇。ASCII 固定為 7, E, 1 格式（代碼 H'00xx），RTU 固定為 8, E, 1 格式（代碼 H'C0xx/H'80xx）。韌體版本為 V4.13（含）以上，請參考下表設定，並且請注意原先設定代碼 H'C0xx/H'80xx，被使用於新通訊格式時，模組將會自動改為 RTU, 8, E, 1。

b15 ~ b12		b11 ~ b8		b7 ~ b0	
ASCII/RTU 及檢查碼高低位交換		資料格式		通訊速率	
說明					
H'0	ASCII	H'0	7,E,1*1	H'01	4800 bps
H'8	RTU, 檢查碼高低位不交換	H'1	8,E,1	H'02	9600 bps
		H'2	保留	H'04	19200 bps
H'C	RTU, 檢查碼高低位交換	H'3	8,N,1	H'08	38400 bps
		H'4	7,O,1*1	H'10	57600 bps
		H'5	8,O,1	H'20	115200 bps

ex：欲設定「RTU（檢查碼高低位交換）,8,N,1,通訊速率為,57600 bps」，則對 CR#32 寫入 H'C310。

註 \*1. 僅支援 ASCII 模式

4. 功能碼(Function): 03' H 讀出暫存器資料。06' H 寫入一個 word 資料至暫存器。10' H 寫入多筆 words 資料至暫存器。

5. CR#30 錯誤狀態表：

錯誤狀態	內容值	b15 ~ b8	b7	b6	b5	b4	b3	b2	b1	b0
電源異常	K1 (H'1)	保留	0	0	0	0	0	0	0	1
接點空接	K2 (H'2)		0	0	0	0	0	0	1	0
模式設定錯誤	K4 (H'4)		0	0	0	0	0	1	0	0
O/G錯誤	K8 (H'8)		0	0	0	0	1	0	0	0
溫度感測元件異常	K16 (H'10)		0	0	0	1	0	0	0	0
變換值異常	K32 (H'20)		0	0	1	0	0	0	0	0
平均次數設定錯誤	K64 (H'40)		0	1	0	0	0	0	0	0
指令錯誤	K128 (H'80)		1	0	0	0	0	0	0	0

註：每個錯誤狀態由相對應之位元b0 ~ b7決定，有可能會同時產生兩個以上之錯誤狀態，0代表正常無錯誤，1代表有錯誤狀態產生。

6. PID 模式：在 V3.08 以上版本，當 CR#29 設定為 H'5678 時，CR#0 ~ CR#34 可做為 PID 設定使用。

PID 模式內容說明							
CR#	保持	R/W		CR#	保持	R/W	
#0	O	R	機種型號	#24	O	R/W	CH1 K <sub>D</sub>
#1	X	R/W	熱電偶型式	#25	O	R/W	CH2 K <sub>D</sub>
#2	X	R	CH1 PID 輸出%	#26	O	R/W	CH3 K <sub>D</sub>
#3	X	R	CH2 PID 輸出%	#27	O	R/W	CH4 K <sub>D</sub>
#4	X	R	CH3 PID 輸出%	#28	X	R/W	Run/Stop & Auto tuning Bit0 : CH1 PID Run/Stop Bit1 : CH2 PID Run/Stop Bit2 : CH3 PID Run/Stop Bit3 : CH4 PID Run/Stop 0=PID Stop, 1=PID Run  Bit4 : CH1 Auto tuning Bit5 : CH2 Auto tuning Bit6 : CH3 Auto tuning Bit7 : CH4 Auto tuning 設為 1 會進入 Auto turning 功能，完畢時自動改為 0。
#5	X	R	CH4 PID 輸出%				
CR#2~CR#5 : 範圍 : 0~1000, 單位 0.1%							
#6	X	R	CH1 攝氏平均溫度				
#7	X	R	CH2 攝氏平均溫度				
#8	X	R	CH3 攝氏平均溫度				
#9	X	R	CH4 攝氏平均溫度				
CR#6~CR#9 : 單位 0.1°C							
#10	O	R/W	CH1 溫度設定				
#11	O	R/W	CH2 溫度設定				
#12	O	R/W	CH3 溫度設定				
#13	O	R/W	CH4 溫度設定				
CR#10~CR#13 : PID 目標值設定 (SV)							
#14	O	R/W	CH1 K <sub>P</sub>	#29	X	R/W	進入 PID 模式 (H'5678) 寫回 K0, 退出 PID 模式
#15	O	R/W	CH2 K <sub>P</sub>	#30	X	R	錯誤碼
#16	O	R/W	CH3 K <sub>P</sub>	#31	O	R/W	CH1 取樣時間
#17	O	R/W	CH4 K <sub>P</sub>	#32	O	R/W	CH2 取樣時間
#19	O	R/W	CH1 K <sub>I</sub>	#33	O	R/W	CH3 取樣時間
#20	O	R/W	CH2 K <sub>I</sub>	#34	O	R/W	CH4 取樣時間
#21	O	R/W	CH3 K <sub>I</sub>	CR#31~CR#34 : 範圍 1~30, 單位 1s			
#22	O	R/W	CH4 K <sub>I</sub>				

註：需先進入 PID 模式 (CR#29 寫入 H' 5678)，再對其它 CR 做設定。

感谢您采用台达 DVP 系列产品。DVP04TC-S 温度测量模块可接受外部 4 点热电偶温度传感器，将其转换成 14 位的数字信号。透过 DVP 薄型系列 ( Slim type ) 主机程序以指令 FROM/TO 来读写模块内的数据，模块内具有多个控制寄存器 ( CR )，每个寄存器有 16 bits。电源单元与模块分离，体积小，安装容易。

- ✎ 请在使用之前，详细阅读本使用说明书。实施配线，务必关闭电源。上电时请勿接触机体端子或进行维修。输入电源切断后，一分钟之内，请勿触摸内部电路。
- ✎ 本机为开放型 ( OPEN TYPE ) 机壳，因此使用者使用本机时，必须将其安装于具防尘、防潮及免于电击 / 冲击意外的外壳配电箱内。另必须具备保护措施 ( 如：特殊的工具或钥匙才可打开 ) 防止非维护人员操作或意外冲击本体，造成危险及损坏。
- ✎ 交流输入电源不可连接于输入 / 出信号端，否则可能造成严重的损坏，因此请在上电之前再次确认电源配线。
- ✎ 本体上的接地端子 ( ⊕ ) 务必正确的接地，可提高产品抗干扰能力。
- ✎ 由测温体到温调本体的配线路请用最短距离配线，为了避免干扰及诱导的影响尽可能将电源线和负载配线分开。
- ✎ DVP04TC-S 温度测量模块本身体积小，在空间温度传导特性易受其它模块热源影响其测量准确性；建议于安装配置时尽量配置于最外侧，并尽量避免串接于产生热源较高的数字输出模块及模拟输出模块。
- ✎ DVP04TC-S 温度测量模块之输入误差会因串接模块热源所影响，产生的误差皆在产品规格 ( ±1.5°C ) 以内；如需更精密控制请于该操作环境动作 30 分钟后，输入标准温度源进行各通道之误差值调校 ( Offset )。
- ✎ 为了使测定温度精确值稳定，在室温操作上电后需要约 20 分钟的预热时间 ( 50°C 约需 30 分钟预热时间 )。

## ■ 产品外观尺寸与部位介绍

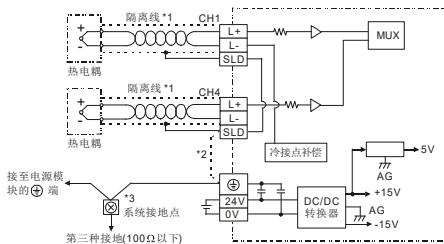
详细部位指示图与外观尺寸请参阅英文版 [Figure 1]，单位：mm。

1. 电源、错误及运行指示灯	2. 机种型号	3. DIN 轨固定扣
4. 端子	5. 端子配置	6. I/O 模块定位孔
7. 铭牌	8. I/O 模块连接口	9. I/O 模块固定扣
10. DIN 轨槽 ( 35mm )	11. RS-485 通讯口	12. I/O 模块固定槽
13. 电源输入口	14. I/O 模块连接口	

## ■ 输入 / 输出端子台配置

请参阅英文版的端子配置示意图。

### ■ 外部配线



注1：使用于模拟输入的配线应采用 J, K, R, S, T 型热电偶温度传感器的连接线或隔离线，且应与其它电源线或可能引起干扰的接线分开。端子螺丝扭力为 1.95 kg·cm ( 1.7 in-lbs )

注2：如果干扰过大请将 SLD 及接地端子连接。

注3：请将电源模块的 ( ⊕ ) 端及 DVP04TC-S 温度测量模块的 ( ⊕ ) 端连接到系统接地点，再将系统接地点作第三种接地或接到配电箱的机壳上。

注意1：空端子请勿配线。只能使用 60/75°C 的铜导线。

注意2：线材长度需 < 50m。

注意3：TC 模块温度测量前，需暖机 30 分钟。

## ■ 电气规格

电源电压	24VDC (20.4VDC ~ 28.8VDC) (-15% ~ +20%)
额定最大消耗功率	2W, 由外部电源供应
操作 / 储存环境	1. 操作: 0°C ~ 55°C (温度), 5 ~ 95% (湿度), 污染等级 2 2. 储存: -25°C ~ 70°C (温度), 5 ~ 95% (湿度)
耐振动 / 冲击	国际标准规范IEC61131-2, IEC 68-2-6 (TEST Fc)/IEC61131-2 & IEC 68-2-27 (TEST Ea)
与DVP-PLC主机 串接说明	模块编号以靠近主机的顺序自动编号由0到7, 最大可连接8台且不占用数字I/O点数。

## ■ 功能规格

DVP04TC-S	摄氏 (°C)	华氏 (°F)
模拟讯号输入通道	4通道/台	
适合感应器形式	J-type, K-type, R-type, S-type, T-type 热电偶	
输入温度范围	J-type : -100°C ~ 700°C K-type : -100°C ~ 1,000°C R & S type : -10°C ~ 1,700°C T-type : -100°C ~ 350°C	J-type : -148°F ~ 1,292°F K-type : -148°F ~ 1,832°F R & S type : -14°F ~ 3,092°F T-type : -148°F ~ 662°F
数字转换范围	J-type : K-1,000 ~ K7,000 K-type : K-1,000 ~ K10,000 R & S type : K-100 ~ K17,000 T-type : K-1,000 ~ K3,500	J-type : K-3,280 ~ K12,920 K-type : K-1,480 ~ K18,320 R & S type : K-140 ~ K30,920 T-type : K-1,480 ~ K6,620
分辨率	0.1°C	0.18°F <sup>1</sup>
总和精密密度	±0.5% 在 (25°C, 77°F) 范围内满刻度时。 ±1% 在 (0 ~ 55°C, 32 ~ 131°F) 范围内满刻度时。	
响应时间	200ms × 通道数	
隔离方式	数字电路与模拟电路有隔离, 通道间隔离。 数字电路与接地之间: 500VDC      模拟电路与接地之间: 500VDC 模拟电路与数字电路之间: 500VDC      24VDC与接地之间: 500VDC	
数字数据格式	16位二补码	
平均功能	有 (CR#2 ~ CR#5)	
自我诊断功能	上下极限侦测 / 通道	
通讯模式 (RS-485)	有, 包含ASCII/RTU模式, 默认通讯格式为9600, 7, E, 1, ASCII, 详细通讯格式请参考CR#32说明。 备注1: 当与PLC主机串接时, RS-485通讯无法使用。 备注2: RS-485通讯修改详细内容请参考DVP程序篇手册之附录“薄型系列特殊模块通讯”篇。	

\*1. 温度显示单位为0.1°C/0.1°F, 若温度单位选择华氏, 小数点第二位将不被显示

## ■ 控制寄存器 (CR)

CR#	参数地址	保持型	寄存器名称	说明											
#0	H'4096	O	R	机种型号	系统内定, DVP04TC-S机种编码=H'8B。										
#1	H'4097	O	R/W	热电偶型式	<table border="1"> <tr> <td>b15~b12</td> <td>b11~b9</td> <td>b8~b6</td> <td>b5~b3</td> <td>b2~b0</td> </tr> <tr> <td>保留</td> <td>CH4</td> <td>CH3</td> <td>CH2</td> <td>CH1</td> </tr> </table> <p>以CH1设定来说明: 1. (b2~b0) 设为(0, 0, 0) 时, 选用J-type。 2. (b2~b0) 设为(0, 0, 1) 时, 选用K-type。 3. (b2~b0) 设为(0, 1, 0) 时, 选用R-type。 4. (b2~b0) 设为(0, 1, 1) 时, 选用S-type。 5. (b2~b0) 设为(1, 0, 0) 时, 选用T-type。</p> <p>注: 版本V4.20以上可设定通道关闭, 以CH1设定为例, (b2~b0) 设为(1, 1, 0) 时, 通道关闭。</p>	b15~b12	b11~b9	b8~b6	b5~b3	b2~b0	保留	CH4	CH3	CH2	CH1
b15~b12	b11~b9	b8~b6	b5~b3	b2~b0											
保留	CH4	CH3	CH2	CH1											

CR#	参数地址	保持型	寄存器名称	说明
CR#1: 内容值用来设定温度测量模块选择感应器内部四个通道的工作模式, 每个通道各有5种模式, 可独立设定。例如要将CH1~CH4分别输入设定为CH1: J-type (b2~b0=000), CH2: K-type (b5~b3=001), CH3: J-type (b8~b6=000), CH4: K-type (b11~b9=001) 时, 须将CR#1设为H'0208。较高位的位 (b12~b15) 将保留。出厂默认值为H'0000。				
#2	H'4098	O	R/W	CH1平均次数
#3	H'4099	O	R/W	CH2平均次数
#4	H'409A	O	R/W	CH3平均次数
#5	H'409B	O	R/W	CH4平均次数
通道CH1~CH4讯号的平均次数设定: V3.04以前版本: 可设定范围K1~K4,095。 V3.05以后版本: 可设定范围K1~K20。 出厂设定值为K10。				
CR#2~CR#5: 注意, 当PLC主机利用TO/DTO指令写入的平均次数设定时, 请使用接点上升下降缘检出指令 (LDP/LDF...), 以免无法求得正确之输入信号平均值。				
#6	H'409C	X	R	CH1测量摄氏温度平均值
#7	H'409D	X	R	CH2测量摄氏温度平均值
#8	H'409E	X	R	CH3测量摄氏温度平均值
#9	H'409F	X	R	CH4测量摄氏温度平均值
通道CH1~CH4测量摄氏温度平均值显示。单位0.1°C。				
#10	H'40A0	X	R	CH1测量华氏温度平均值
#11	H'40A1	X	R	CH2测量华氏温度平均值
#12	H'40A2	X	R	CH3测量华氏温度平均值
#13	H'40A3	X	R	CH4测量华氏温度平均值
通道CH1~CH4测量华氏温度平均值显示。单位0.1°F。				
#14	H'40A4	X	R	CH1测量摄氏温度现在值
#15	H'40A5	X	R	CH2测量摄氏温度现在值
#16	H'40A6	X	R	CH3测量摄氏温度现在值
#17	H'40A7	X	R	CH4测量摄氏温度现在值
通道CH1~CH4测量摄氏温度现在值显示。单位0.1°C。				
#19	H'40A9	X	R	CH1测量华氏温度现在值
#20	H'40AA	X	R	CH2测量华氏温度现在值
#21	H'40AB	X	R	CH3测量华氏温度现在值
#22	H'40AC	X	R	CH4测量华氏温度现在值
通道CH1~CH4测量华氏温度现在值显示。单位0.1°F。				
#24	H'40AE	O	R/W	CH1 OFFSET值
#25	H'40AF	O	R/W	CH2 OFFSET值
#26	H'40B0	O	R/W	CH3 OFFSET值
#27	H'40B1	O	R/W	CH4 OFFSET值
通道CH1~CH4提供使用者自行调整的OFFSET。可调范围: -1,000~+1,000。出厂默认值为K0, 单位0.1°C。 OFFSET值定义: 模块测量温度-OFFSET值=实际显示温度。				
#29	H'40B3	X	R/W	PID模式设定
设定H'5678进入PID模式, 其它设定值皆为一般模式。出厂默认值H'0000。				
#30	H'40B4	X	R	错误状态
储存所有错误状态的数据寄存器, 详细内容请参照错误信息表。				
#31	H'40B5	O	R/W	通讯地址设定
设定RS-485通讯地址, 设定范围01~254。出厂默认值为K1。				
#32	H'40B6	O	R/W	通讯格式设定
通讯速率共有4,800 / 9,600 / 19,200 bps / 38,400 bps / 57,600 bps / 115,200 bps六种可使用, 数据格式可使用之设定如下: ASCII: 7,E,1 / 7,O,1 / 8,E,1 / 8,O,1 / 8,N,1 RTU : 8,E,1 / 8,O,1 / 8,N,1 出厂设定值为 ASCII,9600,7,E,1 (CR#32=H'0002) 详细设定方式请参照表末之CR#32通讯格式设定说明。				

CR#	参数地址	保持型	寄存器名称	说明					
				b15~b12	b11~ b9	b8~b6	b5~b3	b2~b0	
#33	H'40B7	O	R/W	恢复出厂设定	ERR灯	CH4	CH3	CH2	CH1
					以CH1设定来说明： 1. b0 ~ b1保留。b2设定为1时，所有设定值将回复原厂默认值。 ERR灯定义：原厂默认值b12 ~ b15 = 1111 1. b12对应CH1，当b12=1时，刻度超过ERR灯闪烁动作。 2. b13对应CH2，当b13=1时，刻度超过ERR灯闪烁动作。 3. b14对应CH3，当b14=1时，刻度超过ERR灯闪烁动作。 4. b15对应CH4，当b15=1时，刻度超过ERR灯闪烁动作。				
#34	H'40B8	O	R	韌体版本	16进制，显示目前韌体版本，如1.0A则H'010A。				
#35 ~ #48				系统内部使用					
符号定义： O表示为保持型（利用RS-485通讯控制时支持，连接主机时不支持）。 X表示为非保持型。 R表示为可使用FROM指令读取数据，或利用RS-485通讯读取数据。 W表示为可使用TO指令写入数据，或利用RS-485通讯写入数据。									

- 模块重置（韌体版本 V4.14 以上）：若需要将此模块所有设定重置，首先需确保模块的电源输入口已连接电源，接着将重置指令 H'4352 写入 CR#0，并断电重启，即完成所有设定的重置。
- 控制寄存器（CR）之 MODBUS 十进制通讯地址，可由控制寄存器表格中 16 进制通讯地址，转换成十进制后再加上 1，即为 MODBUS 十进制通讯地址。Ex: CR#0 之 DVP 通讯地址为 H'4096，而 MODBUS 十进制地址为 16535。
- CR#32 通讯格式设定说明：韌体版本 V4.12（含）以下，不开放数据格式（b11~b8）选择，ASCII 固定为 7, E, 1 格式（代码 H'00xx），RTU 固定为 8, E, 1 格式（代码 H'C0xx/H'80xx）。韌体版本为 V4.13（含）以上，请参考下表设定，并且请注意原先设定代码 H'C0xx/H'80xx，被用于新通讯格式时，模块将会自动改为 RTU, 8, E, 1。

b15 ~ b12		b11 ~ b8		b7 ~ b0	
ASCII/RTU 及检查码高低位交换		数据格式		通讯速率	
说明					
H'0	ASCII	H'0	7,E,1*1	H'01	4800 bps
H'8	RTU, 检查码高低位不交换	H'1	8,E,1	H'02	9600 bps
		H'2	保留	H'04	19200 bps
H'C	RTU, 检查码高低位交换	H'3	8,N,1	H'08	38400 bps
		H'4	7,O,1*1	H'10	57600 bps
		H'5	8,O,1	H'20	115200 bps

ex: 欲设定「RTU（检查码高低位交换）,8,N,1,通讯速率为,57600 bps」,则对 CR#32 写入 H'C310。  
注 \*1. 仅支援 ASCII 模式

- 功能码（Function）：03'H 读出寄存器数据。06'H 写入一个 word 数据至寄存器。10'H 写入多笔 words 数据至寄存器。
- CR#30 错误状态表：

错误状态	内容值	b15 ~ b8	b7	b6	b5	b4	b3	b2	b1	b0
电源异常	K1 (H'1)	保留	0	0	0	0	0	0	0	1
接点空接	K2 (H'2)		0	0	0	0	0	0	1	0
模式设定错误	K4 (H'4)		0	0	0	0	0	1	0	0
O/G错误	K8 (H'8)		0	0	0	0	1	0	0	0
温度感测组件异常	K16 (H'10)		0	0	0	1	0	0	0	0
变换值异常	K32 (H'20)		0	0	1	0	0	0	0	0

错误状态	内容值	b15 ~ b8	b7	b6	b5	b4	b3	b2	b1	b0
平均次数设定错误	K64 (H'40)		0	1	0	0	0	0	0	0
指令错误	K128 (H'80)		1	0	0	0	0	0	0	0

注：每个错误状态由相对应的位b0 ~ b7决定，有可能会同时产生两个以上的错误状态，0代表正常无错误，1代表有错误状态产生。

6. 在 V3.08 以上版本，当 CR#29 设定为 H'5678 时，CR#0 ~ CR#34 可做为 PID 设定使用。

PID 模式内容说明													
CR#	保持	R/W		CR#	保持	R/W							
#0	O	R	机种型号	#24	O	R/W	CH1 K <sub>D</sub>						
#1	X	R/W	热电偶型式	#25	O	R/W	CH2 K <sub>D</sub>						
#2	X	R	CH1 PID 输出%	#26	O	R/W	CH3 K <sub>D</sub>						
#3	X	R	CH2 PID 输出%	#27	O	R/W	CH4 K <sub>D</sub>						
#4	X	R	CH3 PID 输出%										
#5	X	R	CH4 PID 输出%										
CR#2~CR#5: 范围: 0~1000, 单位 0.1%													
#6	X	R	CH1 摄氏平均温度	#28	X	R/W	Run/Stop & Auto tuning Bit0: CH1 PID Run/Stop Bit1: CH2 PID Run/Stop Bit2: CH3 PID Run/Stop Bit3: CH4 PID Run/Stop 0=PID Stop, 1=PID Run						
#7	X	R	CH2 摄氏平均温度										
#8	X	R	CH3 摄氏平均温度										
#9	X	R	CH4 摄氏平均温度										
CR#6~CR#9: 单位 0.1°C													
#10	O	R/W	CH1 温度设定				Bit4: CH1 Auto tuning						
#11	O	R/W	CH2 温度设定				Bit5: CH2 Auto tuning						
#12	O	R/W	CH3 温度设定				Bit6: CH3 Auto tuning						
#13	O	R/W	CH4 温度设定				Bit7: CH4 Auto tuning						
CR#10~CR#13: PID 目标值设定 (SV)							设为 1 会进入 Auto turning 功能, 完毕时自动改为 0。						
#14	O	R/W	CH1 K <sub>P</sub>	#29	X	R/W	进入 PID 模式 (H'5678)						
#15	O	R/W	CH2 K <sub>P</sub>				写回 K <sub>0</sub> , 退出 PID 模式						
#16	O	R/W	CH3 K <sub>P</sub>	#30	X	R	错误码						
#17	O	R/W	CH4 K <sub>P</sub>	#31	O	R/W	CH1 取样时间						
#19	O	R/W	CH1 K <sub>I</sub>	#32	O	R/W	CH2 取样时间						
#20	O	R/W	CH2 K <sub>I</sub>	#33	O	R/W	CH3 取样时间						
#21	O	R/W	CH3 K <sub>I</sub>	#34	O	R/W	CH4 取样时间						
#22	O	R/W	CH4 K <sub>I</sub>	CR#31~CR#34: 范围 1~30, 单位 1s									

注：需先进入 PID 模式 (CR#29 写入 H' 5678)，再对其它 CR 做设定。