

# **DVP06XA-S**

# **DVP06XA-S2**

## **Instruction Sheet**

**安 裝 說 明**  
**安 裝 說 明**

**Mixed Analog I/O Module**

類比I/O混合模組

模拟I/O混合模块

DVP-0010430-01

# Warning ..... ENGLISH

EN **⚡** DVP06XA-S/DVP06XA-S2 is an OPEN-TYPE device. It should be installed in a control cabinet free of airborne dust, humidity, electric shock and vibration. To prevent non-maintenance staff from operating DVP06XA-S/DVP06XA-S2, or to prevent an accident from damaging DVP06XA-S/DVP06XA-S2, the control cabinet in which DVP06XA-S/DVP06XA-S2 is installed should be equipped with a safeguard. For example, the control cabinet in which DVP06XA-S/DVP06XA-S2 is installed can be unlocked with a special tool or key.

EN **⚡** DO NOT connect AC power to any of I/O terminals, otherwise serious damage may occur. Please check all wiring again before DVP06XA-S/DVP06XA-S2 is powered up. After DVP06XA-S/DVP06XA-S2 is disconnected, Do NOT touch any terminals in a minute. Make sure that the ground terminal  $\oplus$  on DVP06XA-S/DVP06XA-S2 is correctly grounded in order to prevent electromagnetic interference.

FR **⚡** DVP06XA-S/DVP06XA-S2 est un module OUVERT. Il doit être installé que dans une enceinte protectrice (boîtier, armoire, etc.) saine, dépourvue de poussière, d'humidité, de vibrations et hors d'atteinte des chocs électriques. La protection doit éviter que les personnes non habilitées à la maintenance puissent accéder à l'appareil (par exemple, une clé ou un outil doivent être nécessaire pour ouvrir a protection).

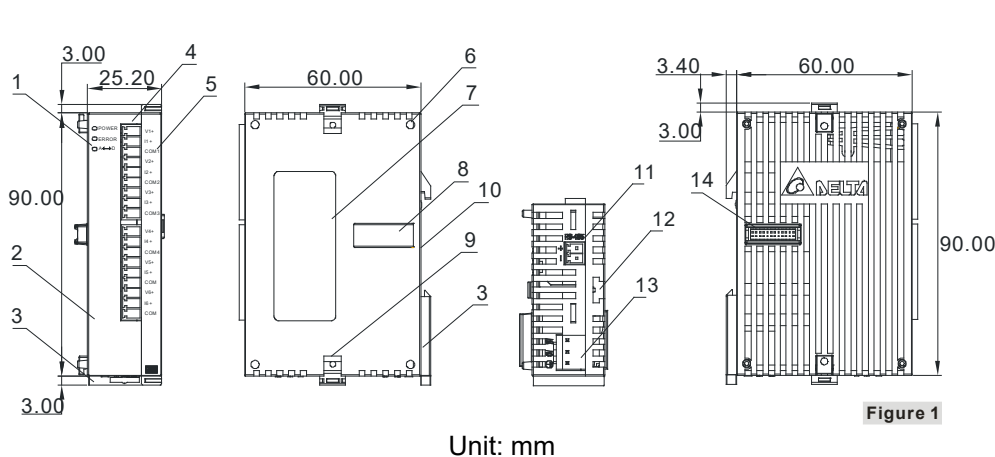
FR **⚡** Ne pas appliquer la tension secteur sur les bornes d'entrées/Sorties, ou l'appareil DVP06XA-S/DVP06XA-S2 pourra être endommagé. Merci de vérifier encore une fois le câblage avant la mise sous tension du DVP06XA-S/DVP06XA-S2. Lors de la déconnection de l'appareil, ne pas toucher les connecteurs dans la minute suivante. Vérifier que la terre est bien reliée au connecteur de terre  $\oplus$  afin d'éviter toute interférence électromagnétique.

## 1 Introduction

### ■ Model Explanation & Peripherals

- Thank you for choosing the Delta DVP series PLC. The analog input/output module DVP06XA-S/DVP06XA-S2 receives external 4-point analog signal input (voltage or current) and converts it into 12-bit digital signals. DVP06XA-S/DVP06XA-S2 receives two pieces of 12-bit digital data from a PLC, and converts the digital data into 2-point analog signal output (voltage or current). There are 49 CRs (control registers) in the module, and each register has 16 bits. A DVP series slim type PLC can read data from DVP06XA-S/DVP06XA-S2 or write data to DVP06XA-S/DVP06XA-S2 by means of the instruction FROM/TO.
- The user can select voltage or current input by wiring. Range of voltage input:  $\pm 10\text{VDC}$  (resolution: 5mV). Range of current input:  $\pm 20\text{mA}$  (resolution: 20 $\mu\text{A}$ ).
- The user can also select voltage or current output by wiring. Range of voltage output: 0V ~ +10VDC (resolution: 2.5mV). Range of current output: 0mA ~ 20mA (resolution: 5 $\mu\text{A}$ ).

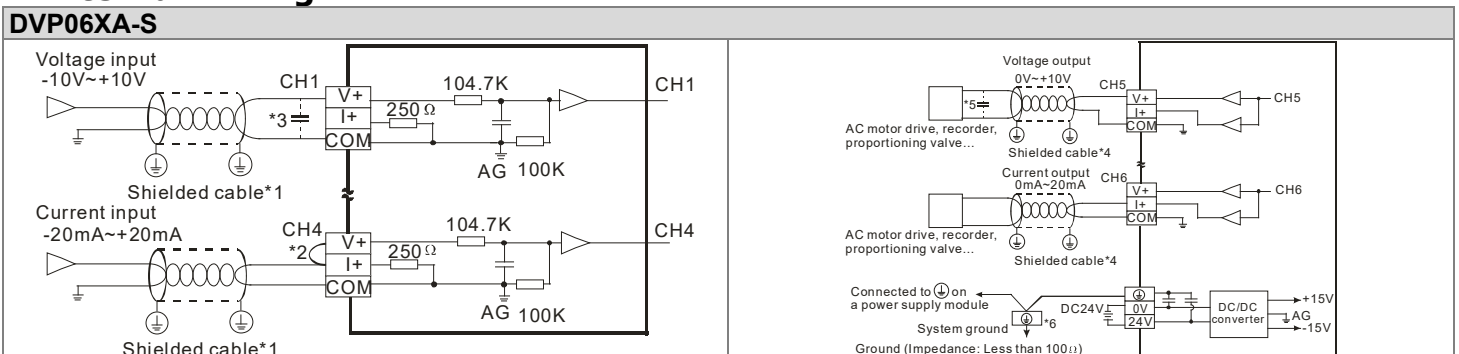
### ■ Outline & Arrangement of the Terminals



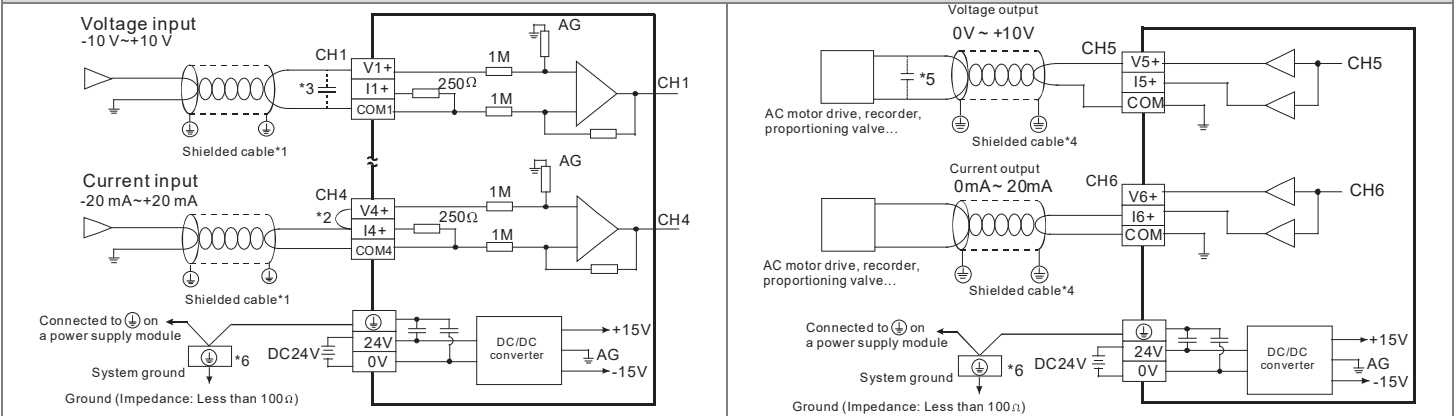
Arrangement of the terminals	
DVP06XA-S	DVP06XA-S2
000	000
V+	V1+
I+	I1+
COM	COM1
V+	V2+
I+	I2+
COM	COM2
V+	V3+
I+	I3+
COM	COM3
V+	V4+
I+	I4+
COM	COM4
V+	V5+
I+	I5+
COM	COM
V+	V6+
I+	I6+
COM	COM

1. POWER, RUN and ERROR indicators	8. Extension port
2. Model name	9. Extension unit clip
3. DIN rail clip	10. DIN rail groove (35mm)
4. I/O terminals	11. RS-485 communication port
5. I/O point indicators	12. Mounting groove of the extension unit
6. Mounting hole of the extension unit	13. DC power input
7. Nameplate	14. Extension port

### ■ External Wiring



## DVP06XA-S2



Note 1: Please isolate the analog input cable from other power cables.

Note 2: If current is connected, the connection between V+ and I+ (the connection between V4+ and I4+) needs to be a short circuit.

Note 3: If ripple voltage results in interference with the wiring, please connect a 0.1~0.47 μF and 25 V capacitor.

Note 4: Please isolate the analog output cable from other power cables.

Note 5: If noise interferes with the wiring, and makes the ripple voltage of the input terminal of the load connected high, please connect a 0.1~0.47 μF and 25 V capacitor.

Note 6: Please connect  $\oplus$  on a power supply module and  $\oplus$  on the analog input module to the system ground, and then ground the system ground or connect the system ground to a distribution box.

※ Use cables with the same length (less than 200 m) and wire resistance of less than 100 ohm.

## ② Specifications

Mixed analog/digital (A/D) module	Voltage input	Current input
Power supply voltage	24VDC (20.4VDC ~ 28.8VDC) (-15% ~ +20%)	
Analog input channel	4 channels per module	
Analog input range	±10V	±20mA
Digital data range	±2,000	±1,000
Resolution	12 bits ( $1_{LSB}=5mV$ )	11 bits ( $1_{LSB}=20\mu A$ )
Input impedance (DVP06XA-S)	200KΩ	250Ω
Input impedance (DVP06XA-S2)	≥ 1MΩ	250Ω
Overall accuracy	±0.5% of full scale of 25°C (77°F). ±1% of full scale during 0 ~ 55°C (32 ~ 131°F).	
Response time	3ms × Number of channels	
Isolation method	DVP06XA-S: The analog circuit and the digital circuit are grounded together. There is no isolation. DVP06XA-S2: The analog circuit is isolated from the digital circuit by an optocoupler, but the analog channels are not isolated from one other.	
Absolute input range	±15V	±32mA
Digital data format	16-bit 2's complement	
Average function	Yes (CR#2 ~ CR#5 can be set and the range is K1 ~ K20)	
Self diagnostic function self detection	Upper bound and lower bound detection per channel	

Mixed digital/analog (D/A) module	Voltage output	Current output
Analog signal output channels	2 channel per module	
Analog output range	0 ~ 10V	0 ~ 20mA
Digital data range	0 ~ 4,000	0 ~ 4,000
Resolution	12 bits ( $1_{LSB}=2.5mV$ )	12 bits ( $1_{LSB}=5\mu A$ )
Output impedance	≤ 0.5Ω	≥ 1MΩ
Overall accuracy	±0.5% of full scale of 25°C (77°F). ±1% of full scale during 0 ~ 55°C (32 ~ 131°F).	
Response time	3ms × Number of channels	
Max. output current	10mA	-
Tolerance carried impedance	≥ 1KΩ	≤ 500Ω
Digital data format	16-bit 2's complement	
Isolation method	DVP06XA-S: The analog circuit and the digital circuit are grounded together. There is no isolation. DVP06XA-S2: The analog circuit is isolated from the digital circuit by an optocoupler, but the analog channels are not isolated from one other.	
Protection	Voltage output has short circuit protection but long period of short circuit may cause internal wiring damage and current output break.	
Communication mode (RS-485)	Supported, including ASCII/RTU mode. Default communication format: 9600, 7, E, 1, ASCII; refer to CR#32 for details on the communication format. Note1: RS-485 cannot be used when connected to CPU series PLCs. Note2: Refer to Slim Type Special Module Communications in the appendix E of the DVP programming manual for more details on RS-485 communication setups.	
Connecting to a DVP series PLC	When DVP06XA-S/DVP06XA-S2 modules are connected to a PLC, the modules are numbered from 0-7. 0 is the closest to the PLC and 7 is the furthest. The Maximum number of modules is 8 modules and they do not occupy any digital I/O points of the PLC.	

## ■ Others

Power supply	
Maximum power consumption	2W at 24VDC (20.4VDC ~ 28.8VDC) (-15% ~ +20%), supplied by external power.
Environment	
Operation/storage	Operation: 0°C ~ 55°C (temperature); 5 ~ 95% (humidity); pollution degree 2. Storage: -25°C ~ 70°C (temperature); 5 ~ 95% (humidity).



CR#	RS-485 parameter address	Latched	Register name	b15	b14	b13	b12	b11	b10	b9	b8	b7	b6	b5	b4	b3	b2	b1	b0
				CH6		CH5		CH4		CH3		CH2		CH1					
<p><b>NOTE*1:</b> The temperature sensor error is not supported by DVP06XA-S.  <b>Note:</b> Each error code corresponds to a bit (b0 ~ b11). Two or more errors may happen at the same time. 0 means there is an error, and 1 means there is an error.  <b>Example:</b> If the digital input exceeds 4,000, the error K2 will occur. If the analog output exceeds 10V, the errors K2 and K32 will occur. (A/D does not support displaying the error K2.)</p>																			
#31	H'40E7	○	R/W	Communication address setting	RS-485 communication address. Setting range is K1 ~ K254 and factory setting is K1.														
#32	H'40E8	○	R/W	Communication format setting	For baud rate, the settings are 4,800 / 9,600 / 19,200 / 38,400 / 57,600 / 115,200 bps. Communication format: For DVP06XA-S: ASCII : 7,E,1 / 7,O,1 / 8,E,1 / 8,O,1 / 8,N,1 RTU : 8,E,1 / 8,O,1 / 8,N,1 For DVP06XA-S2 ASCII : 7,E,1 / 7,O,1 / 7,N,1 / 8,E,1 / 8,O,1 / 8,N,1 / 7,E,2 / 7,O,2 / 7,N,2 / 8,E,2 / 8,O,2 / 8,N,2 RTU : 8,E,1 / 8,O,1 / 8,N,1 / 8,E,2 / 8,O,2 / 8,N,2 Factory default : ASCII,9600,7,E,1 (CR#32=H'0002) Refer to ※CR#32 communication format settings at the end of this table for more information.														
#33	H'40E9	○	R/W	Reset to factory setting and set characteristics adjustable priority	Example: Setting of CH1 1. When b0=0, user can set OFFSET and GAIN value of CH1 (CR#18, CR#24). When b0=1, inhibit user to adjust OFFSET and GAIN value of CH1 (CR#18, CR#24). 2. The value of b1 determines whether a characteristic register is latched while using RS485 to read-write control registers. b1=0 (latched), b1=1 (not latched). (This feature does not supported by DVP06XA-S2, which characteristic registers would remain as latched while using RS485.) 3. b2: Set to 1 and PLC will be reset to factory settings. The setting of CH5 ~ CH6, give CH5 setting for example (b13, b12): 00: can be adjusted, latched. 01: can be adjusted, non-latched. (Not supported by DVP06XA-S2, which registers would remain as latched.) 10: inhibit adjust. 11: reset to factory settings and clear b12, b13 to 0.														
CR#33 is used to set the internal function priority. For example: characteristic register. Output latched function will save output setting in the internal memory before power loss.																			
#34	H'40EA	○	R	Software version	Display software version in hexadecimal. Example: H'010A=version 1.0A.														
				#35 ~ #48	System used														
Symbols: ○ means latched. (Only valid when written in via RS-485 communication) × means non-latched. R means can read data by using FROM instruction or RS-485. W means can write data by using TO instruction or RS-485. LSB (Least Significant Bit): 1. Voltage input: $1_{LSB}=10V/2,000=5mV$ . 2. Current input: $1_{LSB}=20mA/1,000=20\mu A$ . 1. Voltage output: $1_{LSB}=10V/4,000=2.5mV$ . 2. Current output: $1_{LSB}=20mA/4,000=5\mu A$ .																			

- ※ Added the RESET function for 06XA-S modules with firmware V4.14 or later and 06XA-S2 with firmware V4.16 or later. Connect the module power input to 24 VDC and write H'4352 into CR#0 and then turn the power off and on again; all parameters in modules, including communication parameters are restored to factory defaults.
- ※ The corresponding parameters address H'40C8 ~ H'40EA of CR#0 ~ CR#34 will allow user to read/write data via RS-485 communication.
- ※ Function codes: 03'H is for reading data from registers. 06'H is for writing a word data into registers, while 10'H is for writing multiple word data.
- ※ If you want to use Modbus address in decimal format, you can transfer a hexadecimal register to decimal format and then add one to have it become a decimal Modbus register address. For example, transferring the address "H'40C8" of CR#0 in hexadecimal format to decimal format, to have the result 16584 and then adding one to it, you have 16585, the Modbus address in decimal format.
- ※ DVP06XA-S CR#32 communication format settings: for modules with firmware V4.12 or previous versions, b11~b8 data format selection is not available. For ASCII mode, the format is fixed to 7, E, 1 (H'00XX) and for RTU mode, the format is fixed to 8, E, 1 (H'C0xx/H'80xx). For modules with firmware V4.13 or later, refer to the following table for setups. Note that the original code H'C0XX/H'80XX will be seen as RTU, 8, E, 1 for modules with firmware V4.13 or later.

b15 ~ b12		b11 ~ b8		b7 ~ b0	
ASCII/RTU, exchange low & high byte of CRC check code		Data format		Baud rate	
Description					
H'0	ASCII	H'0	7,E,1*1	H'01	4800 bps
H'8	do not exchange low and high byte of CRC check code	H'1	8,E,1	H'02	9600 bps
		H'2	reserved	H'04	19200 bps
H'C	RTU, exchange low and high byte of CRC check code	H'3	8,N,1	H'08	38400 bps
		H'4	7,O,1*1	H'10	57600 bps
		H'5	8,O,1	H'20	115200 bps

Note \*1: This is only available for ASCII format.

Ex: Write H'C310 into CR#32 for a result of RTU, exchange low and high byte of CRC check code, 8,N,1 and baud rate at 57600 bps.

- ※ DVP06XA-S2 CR#32 communication format settings: for modules with firmware V4.14 or previous versions, b11~b8 data format selection is not available. For ASCII mode, the format is fixed to 7, E, 1 (H'00XX) and for RTU mode, the format is fixed to 8, E, 1 (H'C0xx/H'80xx). For modules with firmware V4.15 or later, refer to the following table for setups. Note that the original code H'C0XX/H'80XX will be seen as RTU, 8, E, 1 for modules with firmware V4.15 or later.

b15 ~ b12		b11 ~ b8		b7 ~ b0	
ASCII/RTU exchange low and high byte of CRC check code		Data format		Baud rate	
Description					
H'0	ASCII	H'0	7,E,1*1	H'01	4800 bps
H'8	do not exchange low and high byte of CRC check code	H'1	8,E,1	H'02	9600 bps
		H'2	7,N,1*1	H'04	19200 bps
H'C	exchange low and high byte of CRC check code	H'3	8,N,1	H'08	38400 bps
		H'4	7,O,1*1	H'10	57600 bps
		H'5	8,O,1	H'20	115200 bps
		H'6	7,E,2*1		
		H'7	8,E,2		
		H'8	7,N,2*1		
		H'9	8,N,2		
		H'A	7,O,2*1		
		H'B	8,O,2		

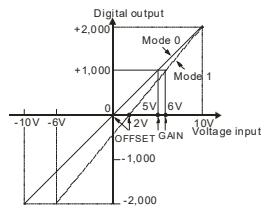
Note \*1: This is only available for ASCII format.

Ex: Write H'C310 into CR#32 for a result of RTU, exchange low and high byte of CRC check code, 8,N,1 and baud rate at 57600 bps.

## ④ Analog/Digital Curves

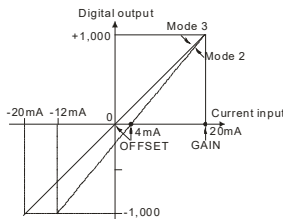
### ■ Adjusting the A/D Conversion Curves of CH1 ~ CH4

Voltage input mode:



Mode 0 of CR#1:	GAIN=5V (1,000 <sub>LSB</sub> ), OFFSET=0V (0 <sub>LSB</sub> ).
Mode 1 of CR#1:	GAIN=6V (1,200 <sub>LSB</sub> ), OFFSET=2V (400 <sub>LSB</sub> ).
GAIN:	Voltage input value when digital output is K4,000. Setting range is -800 <sub>LSB</sub> ~ +4,000 <sub>LSB</sub>
OFFSET:	Voltage input value when digital output is 0. Setting range is -1,000 <sub>LSB</sub> ~ +1,000 <sub>LSB</sub>
GAIN-OFFSET:	Setting range is +200 <sub>LSB</sub> ~ +3,000 <sub>LSB</sub>

Current input mode:

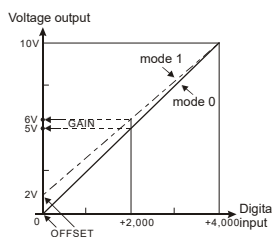


Mode 2 of CR#1:	GAIN=20mA (1,000 <sub>LSB</sub> ), OFFSET=4mA (200 <sub>LSB</sub> ).
Mode 3 of CR#1:	GAIN=20mA (1,000 <sub>LSB</sub> ), OFFSET=0mA (0 <sub>LSB</sub> ).
GAIN:	Current input value when digital output is K4000. Setting range is -800 <sub>LSB</sub> ~ +2,600 <sub>LSB</sub>
OFFSET:	Current input value when digital output value is 0. Setting range is -1,000 <sub>LSB</sub> ~ +1,000 <sub>LSB</sub>
GAIN-OFFSET:	Setting range is +200 <sub>LSB</sub> ~ +1,600 <sub>LSB</sub>

Use the chart above to adjust A/D conversion characteristic curve of voltage input mode and current input mode. Users can adjust conversion characteristic curve by changing OFFSET values (CR#18~CR#21) and GAIN values (CR#24~CR#27) according to application.

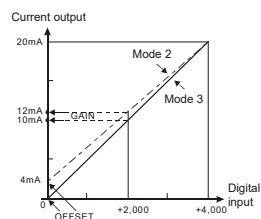
### ■ Adjusting the D/A Conversion Curves of CH5 ~ CH6

Voltage output mode:



Mode 0 of CR#1:	GAIN=5V (2,000 <sub>LSB</sub> ), OFFSET=0V (0 <sub>LSB</sub> )
Mode 1 of CR#1:	GAIN=6V (2,400 <sub>LSB</sub> ), OFFSET=2V (800 <sub>LSB</sub> ).
GAIN:	Voltage output value when digital input is K2,000. Setting range is 0 <sub>LSB</sub> ~ +4,000 <sub>LSB</sub> .
OFFSET:	Voltage output value when digital input is K0. Setting range: -2,000 <sub>LSB</sub> ~ +2,000 <sub>LSB</sub> .
GAIN-OFFSET:	Setting range is +400 <sub>LSB</sub> ~ +6,000 <sub>LSB</sub> .

Current output mode:



Mode 2 of CR#1:	GAIN=12mA (2,400 <sub>LSB</sub> ), OFFSET=4mA (800 <sub>LSB</sub> ).
Mode 3 of CR#1:	GAIN=10mA (2,000 <sub>LSB</sub> ), OFFSET=0mA (0 <sub>LSB</sub> ).
GAIN:	Current output value when digital input value is K2,000. Setting range is 0 <sub>LSB</sub> ~ +4,000 <sub>LSB</sub> .
OFFSET:	Current output value when digital input is K0. Setting range is -2,000 <sub>LSB</sub> ~ +2,000 <sub>LSB</sub> .
GAIN-OFFSET:	Setting range is +400 <sub>LSB</sub> ~ +6,000 <sub>LSB</sub> .

Use the chart above to adjust D/A conversion characteristic curve of voltage output mode and current output mode. Users can adjust conversion characteristic curve by changing OFFSET values (CR#14~CR#15) and GAIN values (CR#18~CR#19) according to application.

# ⚠ 注意事項

- ✓ 請在使用之前，詳細閱讀本使用說明書。
- ✓ 請勿在上電時觸摸任何端子。實施配線，務必關閉電源。
- ✓ 本機為開放型 (OPEN TYPE) 機殼，因此使用者使用本機時，必須將之安裝於具防塵、防潮及免於電擊/衝擊意外之外殼配線箱內。另必須具備保護措施 (如: 特殊之工具或鑰匙才可打開) 防止非維護人員操作或意外衝擊本體，造成危險及損壞。
- ✓ 交流輸入電源不可連接於輸入/輸出信號端，否則可能造成嚴重的損壞，因此請在上電之前再次確認電源配線。
- ✓ 輸入電源切斷後，一分鐘之內，請勿觸摸內部電路。
- ✓ 本體上之接地端子 (⚡) 務必正確的接地，可提高產品抗雜訊能力。

## ① 產品簡介

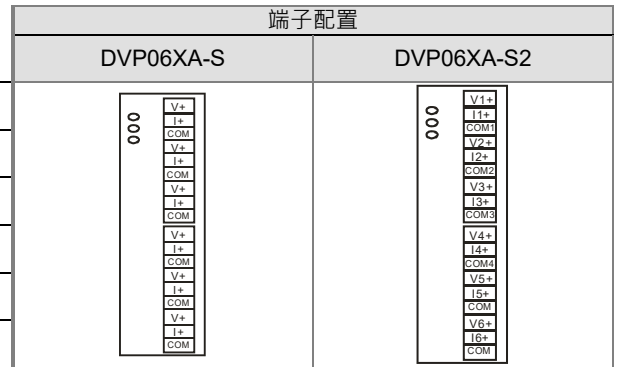
### ■ 說明及週邊裝置

- 謝謝您採用台達 DVP 系列產品。DVP06XA-S/DVP06XA-S2 類比輸入/輸出混合模組包含可接受外部 4 點類比信號輸入 (電壓或電流皆可)，將之轉換成 12 位元之數位信號。及類比信號輸出部份接受來自 PLC 主機的 2 組 12 位元數位資料，再將數位資料轉換為 2 點類比信號輸出 (電壓/電流皆可) 模組內具有 49 個 CR (Control Register) 暫存器，每個暫存器有 16 bits。透過 DVP 薄型系列 (Slim type) 主機程式以指令 FROM/TO 來讀寫模組內之資料。
- 類比信號輸入部份使用者可經由配線選擇電壓輸入或電流輸入。電壓輸入範圍  $\pm 10\text{VDC}$  (解析度為  $5\text{mV}$ )。電流輸入範圍  $\pm 20\text{mA}$  (解析度為  $20\mu\text{A}$ )。
- 類比信號輸出部份使用者可經由配線選擇電壓輸出或電流輸出。電壓輸出範圍  $0\text{V} \sim +10\text{VDC}$  (解析度為  $2.5\text{mV}$ )。電流輸出範圍  $0\text{mA} \sim 20\text{mA}$  (解析度為  $5\mu\text{A}$ )。

### ■ 產品各部介紹及端子配置

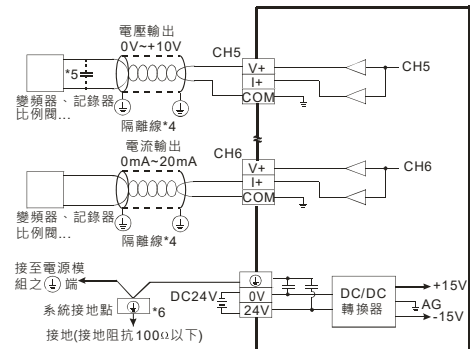
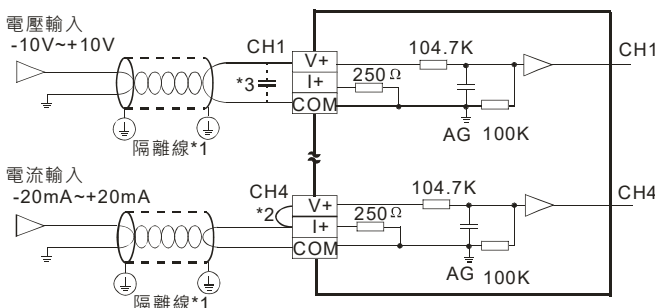
產品各部介紹請參考英文版之 Figure 1 (尺寸單位: mm)。

- |                |                   |
|----------------|-------------------|
| 1. 電源、錯誤及運行指示燈 | 8. 擴充機/擴充模組連接口    |
| 2. 機種型號        | 9. 擴充機/擴充模組固定扣    |
| 3. DIN 軌固定扣    | 10. DIN 軌槽 (35mm) |
| 4. 端子          | 11. RS-485 通訊口    |
| 5. 端子配置        | 12. 擴充機/擴充模組固定槽   |
| 6. 擴充機/擴充模組定位孔 | 13. 電源輸入口         |
| 7. 銘牌          | 14. 擴充機/擴充模組連接口   |

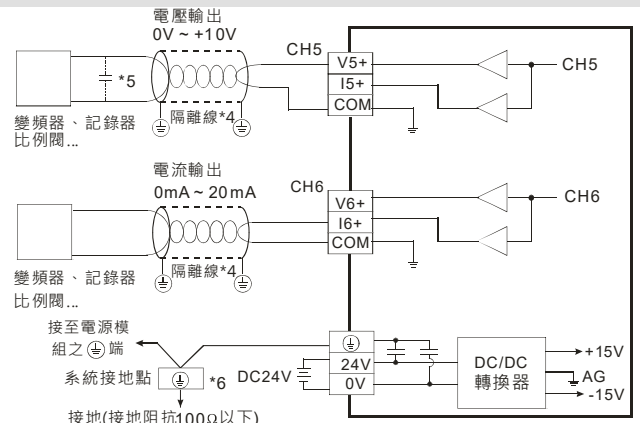
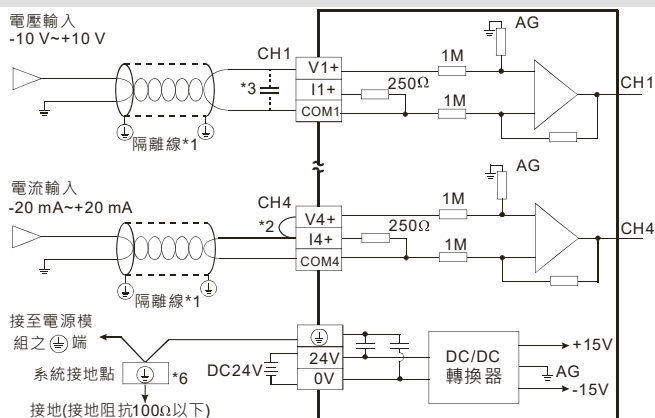


### ■ 外部配線

#### • DVP06XA-S



#### • DVP06XA-S2



註 1：類比輸入請與其他電源線隔離。

註 2：如果連接電流信號時，V+及 I+ ( V4+及 I4+ ) 端子請務必短路。

註 3：如果輸入電壓有漣波造成配線受雜訊 干擾時請連接 0.1 ~ 0.47 $\mu$ F 25V 之電容。

註 4：類比輸出請與其他電源線隔離。

註 5：如果配線受雜訊干擾，造成負載之輸出端漣波太大，請連接 0.1 ~ 0.47 $\mu$ F 25V 之電容。

註 6：請將電源模組之  $\oplus$  端及類比信號輸出模組之  $\oplus$  端連接到系統接地點，再將系統接點作第三種接地或接到配電箱之機殼上。

註：線材長度需等長，單一線長 < 200 公尺，且單一線阻 < 100 $\Omega$ 。

## ② 規格

混合 ( 06XA ) 模組 類比/數位 ( AD ) 部份		電壓輸入	電流輸入
電源電壓	24VDC ( 20.4VDC ~ 28.8VDC ) ( -15% ~ +20% )		
類比訊號輸入通道	4 通道/台		
類比輸入範圍	$\pm 10V$	$\pm 20mA$	
數位轉換範圍	$\pm 2,000$	$\pm 1,000$	
解析度	12 bits ( $1_{LSB}=5mV$ )	11 bits ( $1_{LSB}=20\mu A$ )	
DVP06XA-S 輸入阻抗	200K $\Omega$	250 $\Omega$	
DVP06XA-S2 輸入阻抗	$\geq 1M\Omega$	250 $\Omega$	
總和精密度	$\pm 0.5\%$ 在 ( 25°C · 77°F ) 範圍內滿刻度時。 $\pm 1\%$ 在 ( 0 ~ 55°C · 32 ~ 131°F ) 範圍內滿刻度時。		
響應時間	3ms × 通道數		
隔離方式	DVP06XA-S 類比與數位間共地，無隔離。 DVP06XA-S2 類比與數位端使用光耦合器隔離，類比通道間未隔離。		
絕對輸入範圍	$\pm 15V$	$\pm 32mA$	
數位資料格式	16 位元二補數		
平均功能	有 ( CR#2 ~ CR#5 可設定，範圍 K1 ~ K20 )		
自我診斷功能	上下極限偵測/通道		
混合 ( 06XA ) 模組 類比/數位 ( DA ) 部份		電壓輸出	電流輸出
類比訊號輸出通道	2 通道/台		
類比輸出範圍	0 ~ 10V	0 ~ 20mA	
數位資料範圍	0 ~ 4,000	0 ~ 4,000	
解析度	12 bits ( $1_{LSB}=2.5mV$ )	12 bits ( $1_{LSB}=5\mu A$ )	
總和精密度	$\pm 0.5\%$ 在 ( 25°C · 77°F ) 範圍內滿刻度時。 $\pm 1\%$ 在 ( 0 ~ 55°C · 32 ~ 131°F ) 範圍內滿刻度時。		
輸出阻抗	$\leq 0.5\Omega$	$\geq 1M\Omega$	
響應時間	3ms × 通道數		
最大輸出電流	10mA	-	
容許負載阻抗	$\geq 1K\Omega$	$\leq 500\Omega$	
數位資料格式	16 位元二補數		
隔離方式	DVP06XA-S 類比與數位間共地，無隔離。 DVP06XA-S2 類比與數位端使用光耦合器隔離，類比通道間未隔離。		
保護	電壓輸出有短路保護但須注意長時間短路仍有可能造成內部線路損壞，電流輸出可開路。		
通訊模式 ( RS-485 )	有，包含 ASCII/RTU 模式，預設通訊格式為 9600, 7, E, 1, ASCII，詳細通訊格式請參考 CR#32 說明。 備註 1：當與 PLC 主機串接時，RS-485 通訊無法使用。 備註 2：RS-485 通訊修改詳細內容請參考 DVP 程式篇手冊之附錄“薄型系列特殊模組通訊”篇。		
與 DVP-PLC 主機串接說明	模組編號以靠近主機之順序自動編號由 0 到 7，最大可連接 8 台且不佔用數位 I/O 點數。		

## ■ 其他規格

電源規格	
額定最大消耗功率	直流 24VDC ( 20.4VDC ~ 28.8VDC ) ( -15% ~ +20% ) · 2W，由外部電源供應。
環境規格	
操作/儲存環境	操作：0°C ~ 55°C ( 溫度 ) · 5~ 95% ( 濕度 ) · 污染等級 2； 儲存：-25°C ~ 70°C ( 溫度 ) · 5 ~ 95% ( 濕度 )
耐振動/衝擊	國際標準規範 IEC 61131-2 · IEC 68-2-6 ( TEST Fc ) / IEC 61131-2 & IEC 68-2-27 ( TEST Ea )

## ③ 控制暫存器 CR

CR 編號	RS-485 參數位址	保持型	暫存器名稱	b15	b14	b13	b12	b11	b10	b9	b8	b7	b6	b5	b4	b3	b2	b1	b0
				CH6		CH5		CH4		CH3		CH2		CH1					
#0	H'40C8	○	R	機種型號															
				系統內定，資料長度 8 位元( b7 ~ b0 )，DVP06XA-S 機種編碼= H'CC，DVP06XA-S2 機種編碼= H'D4。 使用者可在程式中將此機種型號讀出，以判斷擴充模組是否存在。															





CR 編號	RS-485 參數位址	保持型	暫存器名稱	b15	b14	b13	b12	b11	b10	b9	b8	b7	b6	b5	b4	b3	b2	b1	b0
				CH6		CH5		CH4		CH3		CH2		CH1					
註 *1. 僅 DVP06XA-S2 支援類比量測元件異常報錯，DVP06XA-S 不支援。 註：每個錯誤狀態由相對應之位元 b0 ~ b11 決定，有可能會同時產生兩個以上之錯誤狀態，0 代表正常無錯誤，1 代表有錯誤狀態產生。 例：當數位輸入超過 4,000 時會顯示刻度超過 ( K2 ) 錯誤；當類比輸出超過 10V 時，會同時顯示變換值異常 ( K32 ) 及刻度超過 ( K2 ) 的錯誤狀態。( A/D 不支援顯示刻度超過錯誤 )																			
#31	H'40E7	○	R/W	通訊位址設定	設定 RS-485 通訊位址，設定範圍 01 ~ 254。出廠設定值為 K1。														
#32	H'40E8	○	R/W	通訊格式設定	通訊速率共有 4,800 / 9,600 / 19,200 bps / 38,400 bps / 57,600 bps / 115,200 bps 六種可使用，資料格式可使用之設定如下： <b>DVP06XA-S</b> ASCII : 7,E,1 / 7,O,1 / 8,E,1 / 8,O,1 / 8,N,1 RTU : 8,E,1 / 8,O,1 / 8,N,1 <b>DVP06XA-S2</b> ASCII : 7,E,1 / 7,O,1 / 7,N,1 / 8,E,1 / 8,O,1 / 8,N,1 / 7,E,2 / 7,O,2 / 7,N,2 / 8,E,2 / 8,O,2 / 8,N,2 RTU : 8,E,1 / 8,O,1 / 8,N,1 / 8,E,2 / 8,O,2 / 8,N,2 出廠設定值為 ASCII,9600,7,E,1 ( CR#32=H'0002 ) 詳細設定方式請參照表末之 CR#32 通訊格式設定說明。														
#33	H'40E9	○	R/W	恢復出廠設定及設定特性微調權限	CH1 ~ CH4 以 CH1 設定來說明： 1. 當 b0 為 0 時，可由使用者設定 CH1 的特性微調 CR#18，CR#24。當 b0 為 1 時，禁止使用者調整 CH1 特性微調 CR#18，CR#24。 2. 當 b1=0 時，使用 RS-485 通訊讀寫控制暫存器的情況下，特性微調暫存器為停電保持型。當 b1=1 時，特性微調暫存器為不停電保持。( DVP06XA-S2 無此設定功能，特性微調暫存器在 RS-485 通訊時恆為停電保持型 ) 3. b2 設定為 1 時，所有設定值將回復為原廠設定值。 CH5 ~ CH6 以 CH5 設定來說明 ( b13，b12 )： 00：可微調，停電保持。 01：可微調，不停電保持 ( DVP06XA-S2 無此功能，恆為停電保持 )。 10：禁止微調。 11：回復為原廠設定值，並將 b13，b12 清為 0。														
CR#33：內容值用來設定一些內部功能的使用權如特性微調暫存器等。而輸出保持的功能將會於斷電前將輸出設定值存於內部記憶體中。																			
#34	H'40EA	○	R	系統版本	16 進制，顯示目前系統版本，如 1.0A 則 H'010A。														
#35 ~ #48				系統內部使用															
符號定義：○ 表示為停電保持型 ( 須由 RS-485 通訊寫入才有停電保持功能 )。 × 表示為非停電保持型。 R 表示為可使用 FROM 指令讀取資料，或利用 RS-485 通訊讀取資料。 W 表示為可使用 TO 指令寫入資料，或利用 RS-485 通訊寫入資料。 LSB ( Least Significant Bit ) 最低有效位元值：1. 電壓輸入：1 <sub>LSB</sub> =10V/2,000=5mV。2. 電流輸入：1 <sub>LSB</sub> =20mA/1,000=20μA。 1. 電壓輸出：1 <sub>LSB</sub> =10V/4,000=2.5mV。2. 電流輸出：1 <sub>LSB</sub> =20mA/4,000=5μA。																			

- ※ 模組重置 ( 06XA-S 韌體版本 V4.14、06XA-S2 韌體版本 V4.16 以上才可使用 )：若需要將此模組所有設定重置，首先需確保模組的電源輸入已連接電源，接著將重置指令 H'4352 寫入 CR#0，並斷電重啟，即完成所有設定的重置。
- ※ CR#0 ~ CR#34：對應之參數位址 H'40C8 ~ H'40EA 可提供使用者利用 RS-485 通訊來讀寫資料。
- ※ 功能碼 ( Function )：03'H 讀出暫存器資料，06'H 寫入一個 word 資料至暫存器，10'H 寫入多筆 words 資料至暫存器。
- ※ 控制暫存器 ( CR ) 之 MODBUS 十進制通訊位址，可由控制暫存器表格中 16 進制通訊位址，轉換成十進制後再加上 1，即為 MODBUS 十進制通訊位址。Ex：CR#0 之 DVP 通訊位址為 H'40C8，而 MODBUS 十進制位址為 16585。
- ※ DVP06XA-S CR#32 通訊格式設定說明：韌體版本 V4.12 ( 含 ) 以下，不開放資料格式 ( b11~b8 ) 選擇，ASCII 固定為 7, E, 1 格式 ( 代碼 H'00xx )，RTU 固定為 8, E, 1 格式 ( 代碼 H'C0xx/H'80xx )。韌體版本為 V4.13 ( 含 ) 以上，請參考下表設定，並且請注意原先設定代碼 H'C0xx/H'80xx，被使用於新通訊格式時，模組將會自動改為 RTU, 8, E, 1。

b15 ~ b12		b11 ~ b8		b7 ~ b0	
ASCII/RTU 及檢查碼高低位交換		資料格式		通訊速率	
說明					
H'0	ASCII	H'0	7,E,1*1	H'01	4800 bps
H'8	RTU, 檢查碼高低位不交換	H'1	8,E,1	H'02	9600 bps
		H'2	保留	H'04	19200 bps
H'C	RTU, 檢查碼高低位交換	H'3	8,N,1	H'08	38400 bps
		H'4	7,O,1*1	H'10	57600 bps
		H'5	8,O,1	H'20	115200 bps

ex：欲設定「RTU ( 檢查碼高低位交換 ) 8,N,1,通訊速率為 57600 bps」，則對 CR#32 寫入 H'C310。

註 \*1. 僅支援 ASCII 模式

※ DVP6XA-S2 CR#32 通訊格式設定說明：韌體版本 V4.14 ( 含 ) 以下，不開放資料格式 ( b11~b8 ) 選擇，ASCII 固定為 7, E, 1 格式 ( 代碼 H'00xx )，RTU 固定為 8, E, 1 格式 ( 代碼 H'C0xx/H'80xx )。韌體版本為 V4.15 ( 含 ) 以上，請參考下表設定，並且請注意原先設定代碼 H'C0xx/H'80xx，被使用於新通訊格式時，模組將會自動改為 RTU, 8, E, 1。

b15 ~ b12		b11 ~ b8		b7 ~ b0	
ASCII/RTU 及檢查碼高低位交換		資料格式		通訊速率	
說明					
H'0	ASCII	H'0	7,E,1*1	H'01	4800 bps
H'8	RTU, 檢查碼高低位不交換	H'1	8,E,1	H'02	9600 bps
		H'2	7,N,1*1	H'04	19200 bps
H'C	RTU, 檢查碼高低位交換	H'3	8,N,1	H'08	38400 bps
		H'4	7,O,1*1	H'10	57600 bps
		H'5	8,O,1	H'20	115200 bps
		H'6	7,E,2*1		
		H'7	8,E,2		
		H'8	7,N,2*1		
		H'9	8,N,2		
		H'A	7,O,2*1		
		H'B	8,O,2		

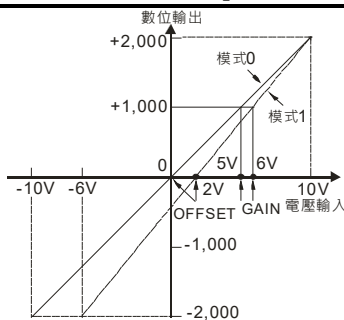
ex：欲設定 RTU ( 檢查碼高低位交換 ) 8,N,1, 通訊速率為 57600 bps，則對 CR32 寫入 H'C310。

註 \*1. 僅支援 ASCII 模式

## ④ 類比/數位特性曲線

### ■ CH1 ~ CH4 調整 A/D 轉換特性曲線說明

電壓輸入模式：



CR#1 之模式 0：GAIN=5V ( 1,000<sub>LSB</sub> ) · OFFSET=0V ( 0<sub>LSB</sub> )。

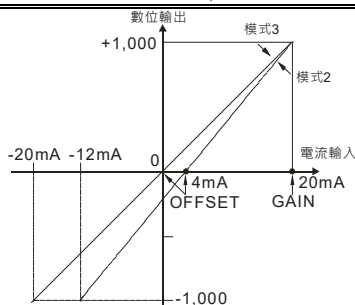
CR#1 之模式 1：GAIN=6V ( 1,200<sub>LSB</sub> ) · OFFSET=2V ( 400<sub>LSB</sub> )。

GAIN：當數位輸出值為 1,000 時的電壓輸入值，設定範圍 -800<sub>LSB</sub> ~ +4,000<sub>LSB</sub>。

OFFSET：當數位輸出值為 0 時的電壓輸入值，設定範圍 -1,000<sub>LSB</sub> ~ +1,000<sub>LSB</sub>。

GAIN - OFFSET：範圍須在 +200<sub>LSB</sub> ~ +3,000<sub>LSB</sub> 之間。

電流輸入模式：



CR#1 之模式 2：GAIN=20mA ( 1,000<sub>LSB</sub> ) · OFFSET=4mA ( 200<sub>LSB</sub> )。

CR#1 之模式 3：GAIN=20mA ( 1,000<sub>LSB</sub> ) · OFFSET=0mA ( 0<sub>LSB</sub> )。

GAIN：當數位輸出值為 +1000 時的電流輸入值，範圍設定 -800<sub>LSB</sub> ~ +2,600<sub>LSB</sub>。

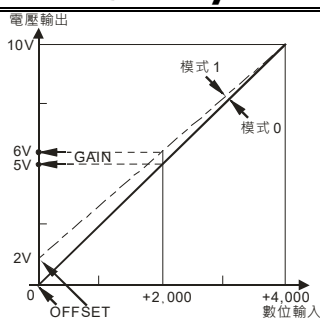
OFFSET：當數位輸出值為 0 時的電流輸入值，範圍設定 -1,000<sub>LSB</sub> ~ +1,000<sub>LSB</sub>。

GAIN-OFFSET：範圍須在 +200<sub>LSB</sub> ~ +1,600<sub>LSB</sub> 之間。

上列表示電壓輸入模式與電流輸入模式之 A/D 轉換特性曲線，使用者可依實際應用需要來調整轉換特性曲線，調整時以改變 OFFSET 值 ( CR#18 ~ CR#21 ) 及 GAIN 值 ( CR#24 ~ CR#27 ) 來進行。

### ■ CH5 ~ CH6 調整 D/A 轉換特性曲線說明

電壓輸出模式：



CR#1 之模式 0：GAIN=5V ( 2,000<sub>LSB</sub> ) · OFFSET=0V ( 0<sub>LSB</sub> )。

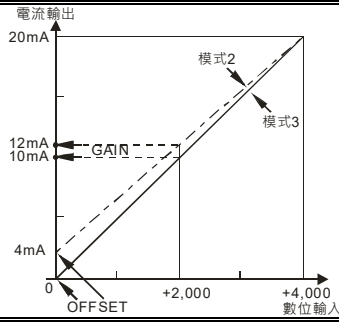
CR#1 之模式 1：GAIN=6V ( 2,400<sub>LSB</sub> ) · OFFSET=2V ( 800<sub>LSB</sub> )。

GAIN：當數位輸入值為 K2,000 時的電壓輸出值，設定範圍 0<sub>LSB</sub> ~ +4,000<sub>LSB</sub>。

OFFSET：當數位輸入值為 K0 時的電壓輸出值，設定範圍 -2,000<sub>LSB</sub> ~ +2,000<sub>LSB</sub>。

GAIN-OFFSET：範圍須在 +400<sub>LSB</sub> ~ +6,000<sub>LSB</sub> 之間

電流輸出模式：



CR#1 之模式 2：GAIN=12mA ( 2,400<sub>LSB</sub> ) · OFFSET=4mA ( 800<sub>LSB</sub> ) .

CR#1 之模式 3：GAIN=10mA ( 2,000<sub>LSB</sub> ) · OFFSET=0mA ( 0<sub>LSB</sub> ) .

GAIN：當數位輸入值為 K2000 時的電流輸出值 · 設定範圍 0<sub>LSB</sub> ~ +4,000<sub>LSB</sub> °

OFFSET：當數位輸入值為 K0 時的電流輸出值 · 設定範圍 -2,000<sub>LSB</sub> ~ +2,000<sub>LSB</sub> °

GAIN-OFFSET：範圍須在 +400<sub>LSB</sub> ~ +6,000<sub>LSB</sub> 之間

上列表示電壓輸出模式與電流輸出模式之 D/A 轉換特性曲線 · 使用者可依據實際應用需要來調整轉換特性曲線 · 調整時以改變 OFFSET 值 ( CR#14 ~ CR#15 ) 及 GAIN 值 ( CR#18 ~ CR#19 ) 來進行。

- ✓ 请在使用之前，详细阅读本使用说明书。
- ✓ 实施配线，务必关闭电源。
- ✓ 本机为开放型（OPEN TYPE）机壳，因此使用者使用本机时，必须将之安装于具防尘、防潮及免于电击/冲击意外的外壳配线箱内。另必须具备保护措施（如：特殊的工具或钥匙才可打开）防止非维护人员操作或意外冲击本体，造成危险及损坏。
- ✓ 交流输入电源不可连接于输入/出信号端，否则可能造成严重的损坏，因此请在上电之前再次确认电源配线。
- ✓ 输入电源切断后，一分钟之内，请勿触摸内部电路。
- ✓ 本体上的接地端子  $\oplus$  务必正确的接地，可提高产品抗噪声能力。

## ① 产品简介

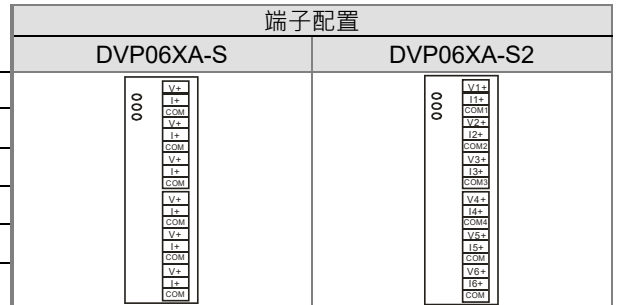
### ■ 说明及周边装置

- 感谢您采用台达 DVP 系列产品。DVP06XA-S/DVP06XA-S2 模拟输入/输出混合模块包含可接受外部 4 点模拟信号输入（电压或电流皆可），将之转换成 12 位元的数字信号。及模拟信号输出部份接受来自 PLC 主机的 2 组 12 位元数字数据，再将数字数据转换为 2 点模拟信号输出（电压/电流皆可）模块内具有 49 个 CR（Control Register）寄存器，每个寄存器有 16 bits。透过 DVP 薄型系列（Slim type）主机程序以指令 FROM/TO 来读写模块内的数据。
- 模拟信号输入部份使用者可经由配线选择电压输入或电流输入。电压输入范围  $\pm 10\text{VDC}$ （解析度为  $5\text{mV}$ ）。电流输入范围  $\pm 20\text{mA}$ （解析度为  $20\mu\text{A}$ ）。
- 模拟信号输出部份使用者可经由配线选择电压输出或电流输出。电压输出范围  $0\text{V} \sim +10\text{VDC}$ （解析度为  $2.5\text{mV}$ ）。电流输出范围  $0\text{mA} \sim 20\text{mA}$ （解析度为  $5\mu\text{A}$ ）。

### ■ 产品各部介绍及端子配置

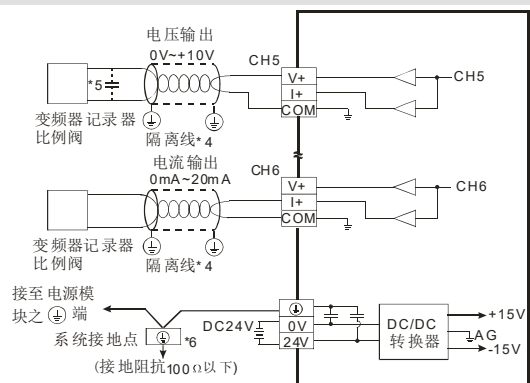
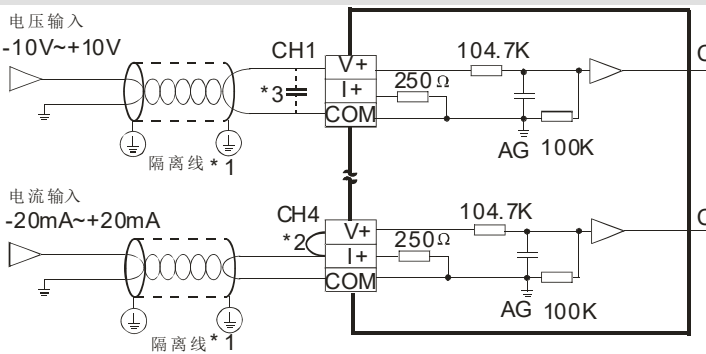
产品各部介绍请参考英文版之 Figure 1（尺寸单位：mm）。

1. 电源、错误及运行指示灯	8. 扩充机/扩充模块接口
2. 机种型号	9. 扩充机/扩充模块固定扣
3. DIN 轨固定扣	10. DIN 轨槽（35mm）
4. 端子	11. RS-485 通讯口
5. 端子配置	12. 扩充机/扩充模块固定槽
6. 扩充机/扩充模块定位孔	13. 电源输入口
7. 铭牌	14. 扩充机/扩充模块接口

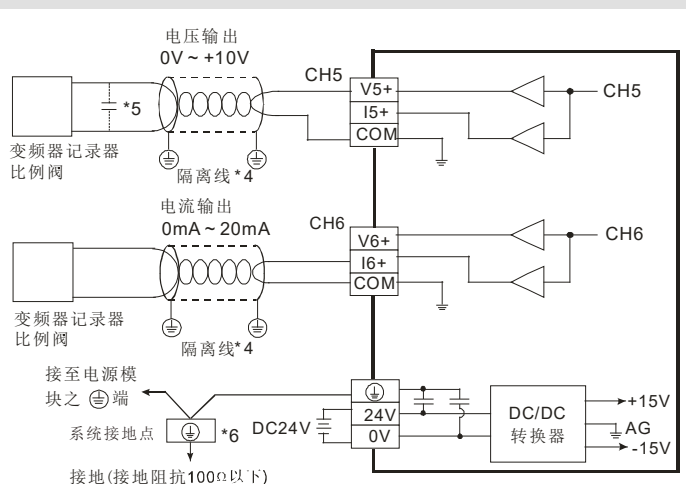
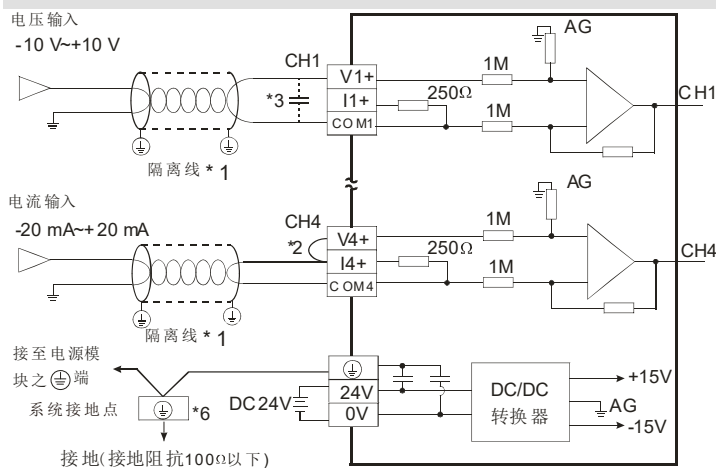


### ■ 外部配线

#### • DVP06XA-S



#### • DVP06XA-S2



注 1：模拟输入请与其它电源线隔离。

注 2：如果连接电流信号时，V+及 I+ (V4+及 I4+) 端子请务必短路。

注 3：如果输入电压有涟波造成配线受噪声干扰时请连接 0.1 ~ 0.47μF 25V 之电容。

注 4：模拟输出请与其它电源线隔离。

注 5：如果配线受噪声干扰，造成负载之输出端涟波太大，请连接 0.1 ~ 0.47μF 25V 之电容。

注 6：请将电源模块之 (⊕) 端及模拟信号输出模块之 (⊕) 端连接到系统接地点，再将系统接点作第三种接地或接到配电箱之机壳上。

注：线材长度需等长，单一线长<200 公尺，且单一线阻<100Ω。

## ② 规格

混合 (06XA) 模块 模拟/数字 (AD) 部分		电压输入	电流输入
电源电压	24VDC ( 20.4VDC ~ 26.4VDC ) ( -15% ~ +10% )		
模拟信号输入通道	4 通道/台		
模拟输入范围	±10V	±20mA	
数字转换范围	±2,000	±1,000	
解析度	12 bits ( 1 <sub>LSB</sub> =5mV )	11 bits ( 1 <sub>LSB</sub> =20μA )	
DVP06XA-S 输入阻抗	200KΩ	250Ω	
DVP06XA-S2 输入阻抗	≥ 1MΩ	250Ω	
总和精密密度	±0.5%在 ( 25°C · 77°F ) 范围内满刻度时。 ±1%在 ( 0 ~ 55°C · 32 ~ 131°F ) 范围内满刻度时。		
响应时间	3ms × 通道数		
隔离方式	DVP06XA-S 模拟与数字间共地，无隔离。 DVP06XA-S2 模拟与数字端使用光耦合器隔离，模拟通道间未隔离。		
绝对输入范围	±15V	±32mA	
数字数据格式	16 位元二补数		
平均功能	有 ( CR#2 ~ CR#5 可设定，范围 K1 ~ K20 )		
自我诊断功能	上下极限侦测/通道		
混合 (06XA) 模块 数字/模拟 (DA) 部分		电压输出	电流输出
模拟信号输出通道	2 通道/台		
模拟输出范围	0 ~ 10V	0 ~ 20mA	
数字数据范围	0 ~ 4,000	0 ~ 4,000	
解析度	12 bits ( 1 <sub>LSB</sub> =2.5mV )	12 bits ( 1 <sub>LSB</sub> =5μA )	
总和精密密度	±0.5%在 ( 25°C · 77°F ) 范围内满刻度时。 ±1%在 ( 0 ~ 55°C · 32 ~ 131°F ) 范围内满刻度时。		
输出阻抗	≤0.5Ω	≥1MΩ	
响应时间	3ms × 通道数		
最大输出电流	10mA	-	
容许负载阻抗	≥1KΩ	≤500Ω	
数字数据格式	16 位元二补数		
隔离方式	DVP06XA-S 模拟与数字间共地，无隔离。 DVP06XA-S2 模拟与数字端使用光耦合器隔离，模拟通道间未隔离。		
保护	电压输出有短路保护但须注意长时间短路仍有可能造成内部线路损坏电流输出可开路。		
通讯模式 (RS-485)	有，包含 ASCII/RTU 模式，默认通讯格式为 9600, 7, E, 1, ASCII。详细通讯格式请参考 CR#32 说明。 备注 1：当与 PLC 主机串接时，RS-485 通讯无法使用。 备注 2：RS-485 通讯修改详细内容请参考 DVP 程序篇手册之附录“薄型系列特殊模块通讯”篇。		
与 DVP-PLC 主机串接说明	模块编号以靠近主机的顺序自动编号由 0 到 7，最大可连接 8 台且不占用数字 I/O 点数。		

## ■ 其它规格

电源规格	
额定最大消耗功率	直流 24VDC ( 20.4VDC ~ 26.4VDC ) ( -15% ~ +10% ) · 2W · 由外部电源供应。
环境规格	
操作/储存环境	操作：0°C ~ 55°C ( 温度 ) · 5 ~ 95% ( 湿度 ) · 污染等级 2； 储存：-25°C ~ 70°C ( 温度 ) · 5 ~ 95% ( 湿度 )
耐振动/冲击	国际标准规范 IEC 61131-2 · IEC 68-2-6( TEST Fc )/IEC 61131-2 & IEC 68-2-27( TEST Ea )

## ③ 控制寄存器 CR

CR 编号	RS-485 参数字址	保持型	寄存器名称	b15	b14	b13	b12	b11	b10	b9	b8	b7	b6	b5	b4	b3	b2	b1	b0
				CH6		CH5		CH4		CH3		CH2		CH1					
#0	H'40C8	○	R	机种型号															
				系统内定，数据长度 8 位元 ( b7 ~ b0 )。DVP06XA-S 机种编码= H'CC。 DVP06XA-S2 机种编码= H' D4。使用者可在程序中将此机种型号读出，以判断扩展模块是否存在。															

CR 编号	RS-485 参数地址	保持型	寄存器名称	b15	b14	b13	b12	b11	b10	b9	b8	b7	b6	b5	b4	b3	b2	b1	b0	
				CH6		CH5		CH4			CH3			CH2			CH1			
#1	H'40C9	○	R/W	输入模式设定	输入模式设定 (CH1 ~ CH4): 模式 0: 电压输入模式 (-10V ~ +10V) 模式 1: 电压输入模式 (-6V ~ +10V) 模式 2: 电流输入模式 (-12mA ~ +20mA) 模式 3: 电流输入模式 (-20mA ~ +20mA)  输出模式设定 (CH5 ~ CH6): 模式 0: 电压输出模式 (0V ~ 10V)。模式 1: 电压输出模式 (2V ~ 10V)。 模式 2: 电流输出模式 (4mA ~ 20mA)。模式 3: 电流输出模式 (0mA ~ 20mA)。															
<b>CR#1: b0 ~ b11 内容值用来设定模拟信号输入 (AD) 部份四个通道的工作模式。每个通道各有四种模式。可独立设定。例如要将 CH1 ~ CH4 分别输入设定为 CH1: 模式 0 (b2 ~ b0=000) · CH2: 模式 1 (b5 ~ b3=001) · CH3: 模式 2 (b8 ~ b6=010) · CH4: 模式 3 (b11 ~ b9=011) 时。须将 b0 ~ b11 设为 H'688。b12 ~ b15 内容值用来设定模拟信号输出 (DA) 部份两个通道的工作模式。每各通道各有四种模式。可独立设定。例如要将 CH5 ~ CH6 分别输出设定为 CH5: 模式 2 (b13 ~ b12=10) · CH6: 模式 1 (b15 ~ b14=01)。须将 b12 ~ b15 设为 H'6。出厂设定值为 H'0000。</b>																				
#2	H'40CA	○	R/W	CH1 平均次数	通道 CH1 ~ CH4 输入信号的平均次数设定。可设定范围 K1 ~ K20。出厂设定值为 K10。															
#3	H'40CB	○	R/W	CH2 平均次数																
#4	H'40CC	○	R/W	CH3 平均次数																
#5	H'40CD	○	R/W	CH4 平均次数																
#6	H'40CE	×	R	CH1 输入信号平均值	通道 CH1 ~ CH4 输入信号平均值显示。 设平均次数设定为 10。即每累计 10 次通道 CH1 ~ CH4 输入信号时取一次平均。															
#7	H'40CF	×	R	CH2 输入信号平均值																
#8	H'40D0	×	R	CH3 输入信号平均值																
#9	H'40D1	×	R	CH4 输入信号平均值																
#10	H'40D2	×	R/W	CH5 输出数值	通道 CH5 ~ CH6 输出数值。可设定范围 K0 ~ K4,000。出厂设定值为 K0。单位为 LSB。															
#11	H'40D3	×	R/W	CH6 输出数值																
#12	H'40D4	×	R	CH1 输入信号现在值	通道 CH1 ~ CH4 输入信号现在值显示															
#13	H'40D5	×	R	CH2 输入信号现在值																
#14	H'40D6	×	R	CH3 输入信号现在值																
#15	H'40D7	×	R	CH4 输入信号现在值																
#18	H'40DA	○	R/W	CH1 微调 OFFSET 值	通道 CH1 ~ CH4 信号的 OFFSET 设定。出厂设定值为 K0。单位为 LSB。 电压输入时: 可设定范围 K-1,000 <sub>LSB</sub> ~ K1,000 <sub>LSB</sub> 电流输入时: 可设定范围 K-1,000 <sub>LSB</sub> ~ K1,000 <sub>LSB</sub>															
#19	H'40DB	○	R/W	CH2 微调 OFFSET 值																
#20	H'40DC	○	R/W	CH3 微调 OFFSET 值																
#21	H'40DD	○	R/W	CH4 微调 OFFSET 值																
#22	H'40DE	○	R/W	CH5 微调 OFFSET 值	通道 CH5 ~ CH6 信号的 OFFSET 设定。可设定范围 K-2,000 ~ K2,000。出厂设定值为 K0。单位为 LSB。															
#23	H'40DF	○	R/W	CH6 微调 OFFSET 值																
#24	H'40E0	○	R/W	CH1 微调 GAIN 值																
#25	H'40E1	○	R/W	CH2 微调 GAIN 值																
#26	H'40E2	○	R/W	CH3 微调 GAIN 值	通道 CH1 ~ CH4 信号的 GAIN 设定。出厂设定值为 K1,000。单位为 LSB。 电压输入时: 可设定范围 K-800 <sub>LSB</sub> ~ K4,000 <sub>LSB</sub> 电流输入时: 可设定范围 K-800 <sub>LSB</sub> ~ K2,600 <sub>LSB</sub>															
#27	H'40E3	○	R/W	CH4 微调 GAIN 值																
<b>CR#24~CR#27: 需特别注意 GAIN 值 - OFFSET 值=+200<sub>LSB</sub> ~ +3,000<sub>LSB</sub> (电压) 或 +200<sub>LSB</sub> ~ +1,600<sub>LSB</sub> (电流)。当此值较小时 (急斜线)。对于输入信号的解析度较细。数字值可做较大的变化。当此值较大时 (缓斜线)。对于输入信号的解析度较粗。数字值可做较小的变化。</b>																				
#28	H'40E4	○	R/W	CH5 微调 GAIN 值	通道 CH5 ~ CH6 信号的 GAIN 设定。可设定范围 K0 ~ K4,000。出厂设定值为 K2,000。单位为 LSB。															
#29	H'40E5	○	R/W	CH6 微调 GAIN 值																
<b>CR#28~CR#29: 需特别注意 GAIN 值 - OFFSET 值=+400<sub>LSB</sub> ~ +6,000<sub>LSB</sub> (电压或电流)。当此值较小时 (急斜线)。对于输出信号的解析度较细。数字值变化较大。当此值较大时 (缓斜线)。对于输出信号的解析度较粗。数字值变化较小。</b>																				
#30	H'40E6	×	R	错误状态	储存所有错误状态的数据寄存器。详细内容请参照错误信息表。															
<b>CR#30: 错误状态值请参照错误状态表:</b>																				
错误状态		内容值		b15 ~ b12	b11	b10	b9	b8	b7	b6	b5	b4	b3	b2	b1	b0				
电源异常		K1 (H'1)		保留	0	0	0	0	0	0	0	0	0	0	0	1				
刻度超过		K2 (H'2)			0	0	0	0	0	0	0	0	0	0	0	1	0			
模式设定错误		K4 (H'4)			0	0	0	0	0	0	0	0	0	0	1	0	0			
O/G 错误		K8 (H'8)			0	0	0	0	0	0	0	0	0	1	0	0	0			
模拟量测组件异常*1		K16 (H'10)			0	0	0	0	0	0	0	0	1	0	0	0	0			
变换值异常		K32 (H'20)			0	0	0	0	0	0	0	1	0	0	0	0	0			
平均次数设定错误		K64 (H'40)			0	0	0	0	0	1	0	0	0	0	0	0	0			
指令错误		K128 (H'80)			0	0	0	0	1	0	0	0	0	0	0	0	0			
通道 1 超出范围		K256 (H'100)			0	0	0	1	0	0	0	0	0	0	0	0	0			
通道 2 超出范围		K512 (H'200)			0	0	1	0	0	0	0	0	0	0	0	0	0			
通道 3 超出范围		K1024 (H'400)			0	1	0	0	0	0	0	0	0	0	0	0	0			
通道 4 超出范围		K2048 (H'800)			1	0	0	0	0	0	0	0	0	0	0	0	0			
注 *1. 仅 DVP06XA-S2 支持模拟量测组件异常报错。DVP06XA-S 不支持。 注: 每个错误状态由相对应之位 b0 ~ b11 决定。有可能同时产生两个以上之错误状态。0 代表正常无错误。1 代表有错误状态产生。 例: 当数字输入超过 4,000 时会显示刻度超过 (K2) 错误; 当模拟输出超过 10V 时。会同时显示变换值异常 (K32) 及刻度超过 (K2) 的错误状态。(A/D 不支持显示刻度超过错误)																				

CR 编号	RS-485 参数字址	保持型	寄存器名称	b15	b14	b13	b12	b11	b10	b9	b8	b7	b6	b5	b4	b3	b2	b1	b0
				CH6		CH5		CH4		CH3		CH2		CH1					
#31	H'40E7	○ R/W	通讯地址设定	设定 RS-485 通讯地址·设定范围 01 ~ 254。出厂设定值为 K1。															
#32	H'40E8	○ R/W	通讯格式设定	通讯速率共有 4,800 / 9,600 / 19,200 bps / 38,400 bps / 57,600 bps / 115,200 bps 六种可使用·数据格式可使用之设定如下： <b>DVP06XA-S</b> ASCII : 7,E,1 / 7,O,1 / 8,E,1 / 8,O,1 / 8,N,1 RTU : 8,E,1 / 8,O,1 / 8,N,1 <b>DVP06XA-S2</b> ASCII : 7,E,1 / 7,O,1 / 7,N,1 / 8,E,1 / 8,O,1 / 8,N,1 / 7,E,2 / 7,O,2 / 7,N,2 / 8,E,2 / 8,O,2 / 8,N,2 RTU : 8,E,1 / 8,O,1 / 8,N,1 / 8,E,2 / 8,O,2 / 8,N,2 出厂设定值为 ASCII,9600,7,E,1 ( CR#32=H'0002 ) 详细设定方式请参照表末之 CR#32 通讯格式设定说明。															
#33	H'40E9	○ R/W	恢复出厂设定及设定特性 微调权限	<b>CH1 ~ CH4 以 CH1 设定来说明：</b> 1. 当 b0 为 1 时·可由使用者设定 CH1 的特性微调 CR#18·CR#24。当 b0 为 0 时·禁止使用者调整 CH1 特性微调 CR#18·CR#24。 2. 当 b1=0 时·使用 RS-485 通讯读写控制寄存器的情况下·特性微调寄存器为停电保持型。当 b1=1 时·特性微调寄存器为不停电保持。( DVP06XA-S2 无此设定功能·特性微调寄存器在 RS-485 通讯时恒为停电保持型 ) 3. b2 设定为 1 时·所有设定值将回复为原厂设定值。 <b>CH5 ~ CH6 以 CH5 设定来说明 ( b13·b12 )：</b> 00：可微调·停电保持。 01：可微调·不停电保持 ( DVP06XA-S2 无此功能·恒为停电保持 )。 10：禁止微调。 11：回复为原厂设定值·并将 b13·b12 清为 0。															
CR#33：内容值用来设定一些内部功能的使用权如特性微调寄存器等。而输出保持的功能将会于断电前将输出设定值存于内部记忆体中。																			
#34	H'40EA	○ R	系统版本	16 进制·显示目前系统版本·如 1.0A 则 H'010A。															
#35 ~ #48				系统内部使用															
符号定义：○ 表示为停电保持型 ( 须由 RS-485 通讯写入才有停电保持功能 )。 × 表示为非停电保持型。 R 表示为可使用 FROM 指令读取数据·或利用 RS-485 通讯读取数据。 W 表示为可使用 TO 指令写入数据·或利用 RS-485 通讯写入数据。 LSB ( Least Significant Bit ) 最低有效位元值： 1.电压输入：1 <sub>LSB</sub> =10V/2,000=5mV。2.电流输入：1 <sub>LSB</sub> =20mA/1,000=20μA。 1.电压输出：1 <sub>LSB</sub> =10V/4,000=2.5mV。2.电流输出：1 <sub>LSB</sub> =20mA/4,000=5μA。																			

- ※ 模块重置 ( 06XA-S 韧体版本 V4.14、06XA-S2 韧体版本 V4.16 以上才可使用 )：若需要将此模块所有设定重置·首先需确保模块的电源输入已连接电源·接着将重置指令 H'4352 写入 CR#0·并断电重启·即完成所有设定的重置。
- ※ CR#0 ~ CR#34：对应的参数字址 H'40C8 ~ H'40EA 可提供使用者利用 RS-485 通讯来读写数据。
- ※ 功能码 ( Function )：03'H 读出寄存器数据。06'H 写入一个 word 数据至寄存器。10'H 写入多笔 words 数据至寄存器。
- ※ 控制寄存器 ( CR ) 之 MODBUS 十进制通讯地址·可由控制寄存器表格中 16 进制通讯地址·转换成十进制后再加上 1·即为 MODBUS 十进制通讯地址。Ex：CR#0 之 DVP 通讯地址为 H'40C8·而 MODBUS 十进制地址为 16585。
- ※ DVP06XA-S CR#32 通讯格式设定说明：韧体版本 V4.12 ( 含 ) 以下·不开放数据格式 ( b11~b8 ) 选择·ASCII 固定为 7, E, 1 格式 ( 代码 H'00xx )·RTU 固定为 8, E, 1 格式 ( 代码 H'C0xx/H'80xx )。韧体版本为 V4.13 ( 含 ) 以上·请参考下表设定·并且请注意原先设定代码 H'C0xx/H'80xx·被用于新通讯格式时·模块将会自动改为 RTU, 8, E, 1。

b15 ~ b12		b11 ~ b8		b7 ~ b0	
ASCII/RTU 及检查码高低位交换		数据格式		通讯速率	
说明					
H'0	ASCII	H'0	7,E,1*1	H'01	4800 bps
H'8	RTU, 检查码高低位不交换	H'1	8,E,1	H'02	9600 bps
		H'2	保留	H'04	19200 bps
H'C	RTU, 检查码高低位交换	H'3	8,N,1	H'08	38400 bps
		H'4	7,O,1*1	H'10	57600 bps
		H'5	8,O,1	H'20	115200 bps

ex：欲设定「RTU ( 检查码高低位交换 ) ,8,N,1,通讯速率为 57600 bps」·则对 CR#32 写入 H'C310。

注 \*1. 仅支援 ASCII 模式

- ※ DVP6XA-S2 CR#32 通讯格式设定说明：韧体版本 V4.14 ( 含 ) 以下·不开放数据格式 ( b11~b8 ) 选择·ASCII 固定为 7, E, 1 格式 ( 代码 H'00xx )·RTU 固定为 8, E, 1 格式 ( 代码 H'C0xx/H'80xx )。韧体版本为 V4.15 ( 含 ) 以上·请参考下表设定·并且请注意原先设定代码 H'C0xx/H'80xx·被用于新通讯格式时·模块将会自动改为 RTU, 8, E, 1。

b15 ~ b12		b11 ~ b8		b7 ~ b0	
ASCII/RTU 及检查码高低位交换		数据格式		通讯速率	



说明					
H'0	ASCII	H'0	7,E,1*1	H'01	4800 bps
H'8	RTU, 检查码高低位不交换	H'1	8,E,1	H'02	9600 bps
		H'2	7,N,1*1	H'04	19200 bps
H'C	RTU, 检查码高低位交换	H'3	8,N,1	H'08	38400 bps
		H'4	7,O,1*1	H'10	57600 bps
		H'5	8,O,1		115200 bps
		H'6	7,E,2*1		
		H'7	8,E,2		
		H'8	7,N,2*1		
		H'9	8,N,2		
		H'A	7,O,2*1		
		H'B	8,O,2		

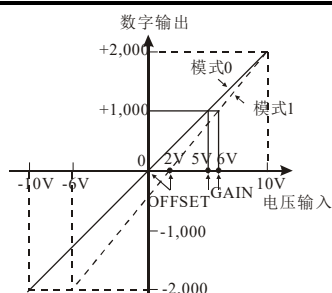
ex: 欲设定 RTU ( 检查码高低位交换 ), 8,N,1, 通讯速率为 57600 bps · 则对 CR32 写入 H'C310 ·

注 \*1. 仅支持 ASCII 模式

## ④ 模拟 / 数字特性曲线

### ■ CH1 ~ CH4 调整 A/D 转换特性曲线说明

电压输入模式:



CR#1 之模式 0: GAIN=5V ( 1,000<sub>LSB</sub> ) · OFFSET=0V ( 0<sub>LSB</sub> ) .

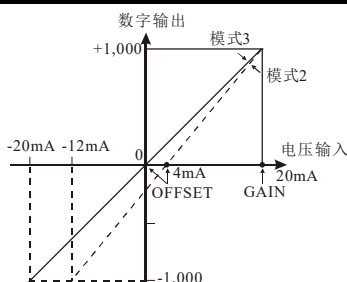
CR#1 之模式 1: GAIN=6V ( 1,200<sub>LSB</sub> ) · OFFSET=2V ( 400<sub>LSB</sub> ) .

GAIN: 当数字输出值为 1,000 时的电压输入值 · 设定范围  
-800<sub>LSB</sub> ~ +4,000<sub>LSB</sub> °

OFFSET: 当数字输出值为 0 时的电压输入值 · 设定范围-1,000<sub>LSB</sub>  
~ +1,000<sub>LSB</sub> °

GAIN-OFFSET: 范围须在 +200<sub>LSB</sub> ~ +3,000<sub>LSB</sub> 之间

电流输入模式:



CR#1 之模式 2: GAIN=20mA ( 1,000<sub>LSB</sub> ) · OFFSET=4mA ( 200<sub>LSB</sub> ) .

CR#1 之模式 3: GAIN=20mA ( 1,000<sub>LSB</sub> ) · OFFSET=0mA ( 0<sub>LSB</sub> ) .

GAIN: 当数字输出值为 0 时的电流输入值 · 范围设定 -800<sub>LSB</sub>  
~ +2,600<sub>LSB</sub> °

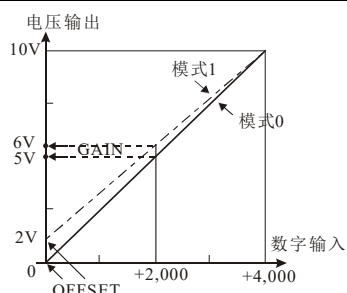
OFFSET: 当数字输出值为 +4,000 时的电流输入值 · 范围设定  
-1,000<sub>LSB</sub> ~ +1,000<sub>LSB</sub> °

GAIN-OFFSET: 范围须在 200<sub>LSB</sub> ~ +1,600<sub>LSB</sub> 之间

上列表示电压输入模式与电流输入模式之 A/D 转换特性曲线 · 使用者可依据实际应用需要来调整转换特性曲线 · 调整时以改变 OFFSET 值 ( CR#18 ~ CR#21 ) 及 GAIN 值 ( CR#24 ~ CR#27 ) 来进行。

### ■ CH5 ~ CH6 调整 D/A 转换特性曲线说明

电压输出模式:



CR#1 之模式 0: GAIN=5V ( 2,000<sub>LSB</sub> ) · OFFSET=0V ( 0<sub>LSB</sub> ) .

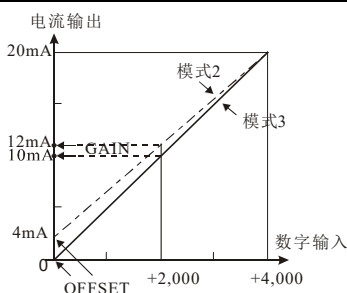
CR#1 之模式 1: GAIN=6V ( 2,400<sub>LSB</sub> ) · OFFSET=2V ( 800<sub>LSB</sub> ) .

GAIN: 当数字输入值为 K2,000 时的电压输出值 · 设定范围  
0<sub>LSB</sub> ~ +4,000<sub>LSB</sub> °

OFFSET: 当数字输入值为 K0 时的电压输出值 · 设定范围  
-2,000<sub>LSB</sub> ~ +2,000<sub>LSB</sub> °

GAIN-OFFSET: 范围须在 +400<sub>LSB</sub> ~ +6,000<sub>LSB</sub> 之间

电流输出模式:



CR#1 之模式 2: GAIN=12mA ( 2,400<sub>LSB</sub> ) · OFFSET=4mA ( 800<sub>LSB</sub> ) .

CR#1 之模式 3: GAIN=10mA ( 2,000<sub>LSB</sub> ) · OFFSET=0mA ( 0<sub>LSB</sub> ) .

GAIN: 当数字输入值为 K2,000 时的电压输出值 · 设定范围  
0<sub>LSB</sub> ~ +4,000<sub>LSB</sub> °

OFFSET: 当数字输入值为 K0 时的电压输出值 · 设定范围  
-2,000<sub>LSB</sub> ~ +2,000<sub>LSB</sub> °

GAIN-OFFSET: 范围须在 +400<sub>LSB</sub> ~ +6,000<sub>LSB</sub> 之间

上列表示电压输出模式与电流输出模式之 D/A 转换特性曲线 · 使用者可依据实际应用需要来调整转换特性曲线 · 调整时以改变 OFFSET 值 ( CR#14 ~ CR#15 ) 及 GAIN 值 ( CR#18 ~ CR#19 ) 来进行。