

# FBS-PLC User's Manual 【*Hardware*】

## Contents

### Chapter 1 : Introduction of FATEK FBS Series PLC

1.1	Appearance of Main Unit .....	H1-1
1.2	Appearance of Expansion Unit/Module.....	H1-2
1.3	Appearance of Communication Expansion Module .....	H1-4
1.4	List of FBS-PLC Models .....	H1-5
1.5	Specifications of Main Unit.....	H1-8
1.6	Environmental Specifications .....	H1-9
1.7	Connection Diagrams of Various Models .....	H1-10
1.7.1	NC Control Main Unit (MN) .....	H1-10
1.7.2	Basic/Advanced Main Unit (MA/MC) .....	H1-11
1.7.3	Digital I/O Expansion Unit.....	H1-13
1.7.4	Digital I/O Expansion Module.....	H1-14
1.7.5	High-Density Digital I/O Expansion Module .....	H1-15
1.7.6	Numeric I/O Expansion Module.....	H1-15
1.7.7	Analog I/O Expansion Module .....	H1-15
1.7.8	Temperature Input Module.....	H1-16
1.7.9	AI/AO/Temperature Combo Module .....	H1-17
1.7.10	Expansion Power Module .....	H1-17
1.7.11	Voice Output Module .....	H1-17
1.7.12	Potential Meter Module .....	H1-17
1.7.13	Load Cell Module .....	H1-17
1.7.14	Communication Module (CM) .....	H1-18
1.7.15	Communication Board (CB).....	H1-19
1.7.16	Analog Expansion Board .....	H1-20
1.7.17	Simple HMI.....	H1-20
1.8	Drawings with External Dimensions .....	H1-21

### Chapter 2 : System Configuration

2.1	Single-Unit System of FBS-PLC.....	H2-1
-----	------------------------------------	------

2.2	Formation of Multi-Unit System.....	H2-2
2.2.1	Connection of Multiple FBs-PLC (CPU Link).....	H2-2
2.2.2	Connection of FBs-PLC with Host Computer or Intelligent Peripherals.....	H2-3

## Chapter 3 : Expansion of FBs-PLC

3.1	I/O Expansion .....	H3-1
3.1.1	Digital I/O Expansion and I/O Numbering.....	H3-1
3.1.2	Numeric I/O Expansion and I/O Channel Mapping.....	H3-3
3.2	Expansion of Communication Port .....	H3-5

## Chapter 4 : Installation Guide

4.1	Installation Environment.....	H4-1
4.2	PLC Installation Precautions .....	H4-1
4.2.1	Placement of PLC .....	H4-1
4.2.2	Ventilation Space.....	H4-2
4.3	Fixation by DIN RAIL.....	H4-3
4.4	Fixation by Screws .....	H4-4
4.5	Precautions on Construction and Wiring.....	H4-6

## Chapter 5 : Power Supply Wiring, Power Consumption Calculation, and Power Sequence Requirements

5.1	Specifications and Wiring of AC Power Sourced Power Supply .....	H5-1
5.2	Specifications and Wiring of DC Power Sourced Power Supply .....	H5-2
5.3	Residual Capacity of Main/Expansion Unit and Current Consumption of Expansion Module .....	H5-4
5.3.1	Residual Capacity of Main/Expansion Unit .....	H5-4
5.3.2	Maximum Current Consumption of Expansion Module .....	H5-5
5.3.3	Calculation Example of Power Capacity .....	H5-7
5.4	Requirement of Power Sequence in Main Unit and Expansion Unit/Module .....	H5-9

## Chapter 6 : Digital Input (DI) Circuit

6.1	Specifications of Digital Input (DI) Circuit.....	H6-1
6.2	Structure and Wiring of 5VDC Ultra High Speed Differential Input Circuit .....	H6-2
6.3	24VDC Single-End Input Circuit and Wiring for SINK/SOURCE Input .....	H6-3

## Chapter 7 : Digital Output (DO) Circuit

7.1	Specifications of Digital Output Circuit.....	H7-2
7.2	5VDC Ultra High Speed Line-Driver Differential Output Circuit and its Wiring .....	H7-3
7.3	Single-End Output Circuit .....	H7-3
7.3.1	Structure and Wiring of Single-End Relay Output Circuit .....	H7-3
7.3.2	Structure and Wiring of Single-End Transistor SINK & SOURCE Output Circuit.....	H7-4
7.4	Speed up the Single-End Transistor Output Circuit (only applicable to high and medium-speed) .....	H7-6
7.5	Output Device Protection and Noise Suppression in DO Circuit .....	H7-6
7.5.1	Protection of Relay Contacts and Noise Suppression .....	H7-6
7.5.2	Protection of Transistor Output and Noise Suppression.....	H7-8

## Chapter 8 : Test Run, Monitoring and Maintenance

8.1	Inspection After Wiring and Before First Time Power on.....	H8-1
8.2	Test Run and Monitoring .....	H8-1
8.3	LED Indications on PLC Main Unit and Troubleshooting .....	H8-2
8.4	Maintenance .....	H8-4
8.5	The Charge of Battery & Recycle of Used Battery .....	H8-4

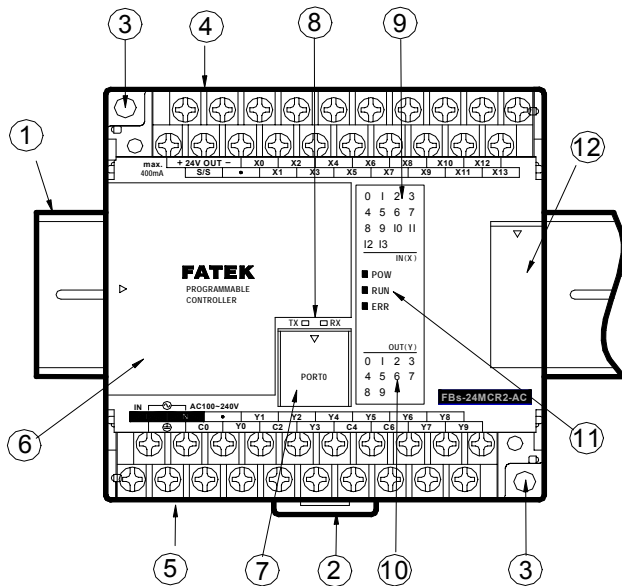
# 【 Hardware 】

## Chapter 1 Introduction of FATEK FBS Series PLC

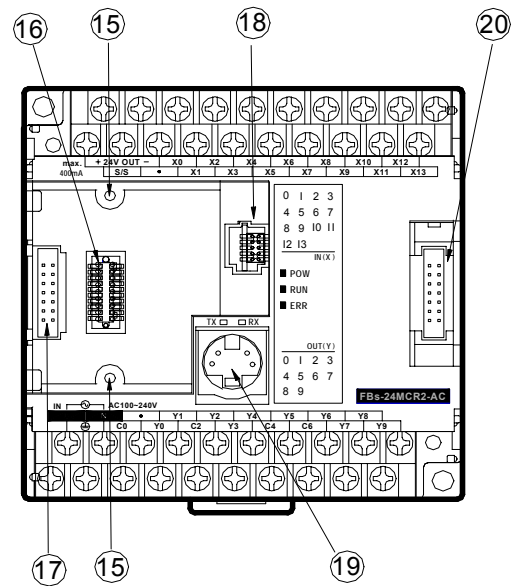
The FATEK FBS Series PLC is a new generation of micro PLC equipped with excellent functions comparable to medium or large PLC, with up to five communication ports. The maximum I/O numbers are 256 points for Digital Input (DI) and Digital Output (DO), 64 words for Numeric Input (NI) and Numeric Output (NO). The Main Units of FBS are available in three types: MA (Economy Type), MC (High-Performance Type), and MN (High-Speed NC Type). With the combination of I/O point ranges from 10 to 60, a total of 17 models are available. Fifteen DI/DO and 19 NI/NO models are available for Expansion Units/Modules. With interface options in RS232, RS485, USB, Ethernet, CANopen, Zigbee and GSM, the communication peripherals are available with 15 boards and modules.

### 1.1 Appearance of Main Unit

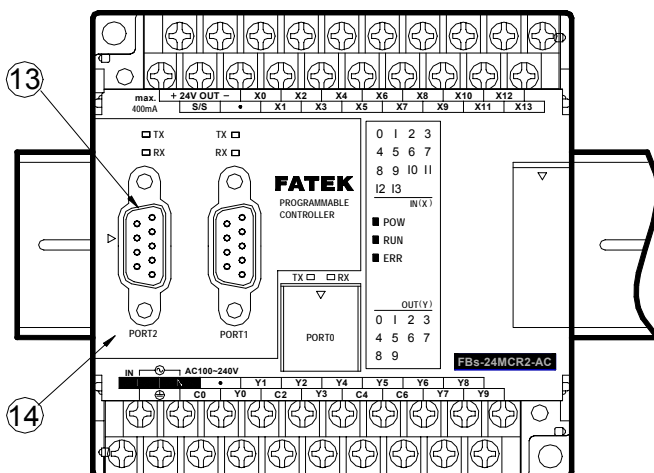
All the Main Units of FBS-PLC have the same physical structure. The only difference is the case width. There are four different case sizes, which are 60mm, 90mm, 130mm, and 175mm. The figure below will use the Main Unit case of the FBS-24MC as an example for illustration:



(Front view without Communication Board)



(Front view with cover plate removed)



(Front view with CB-22 Board installed)

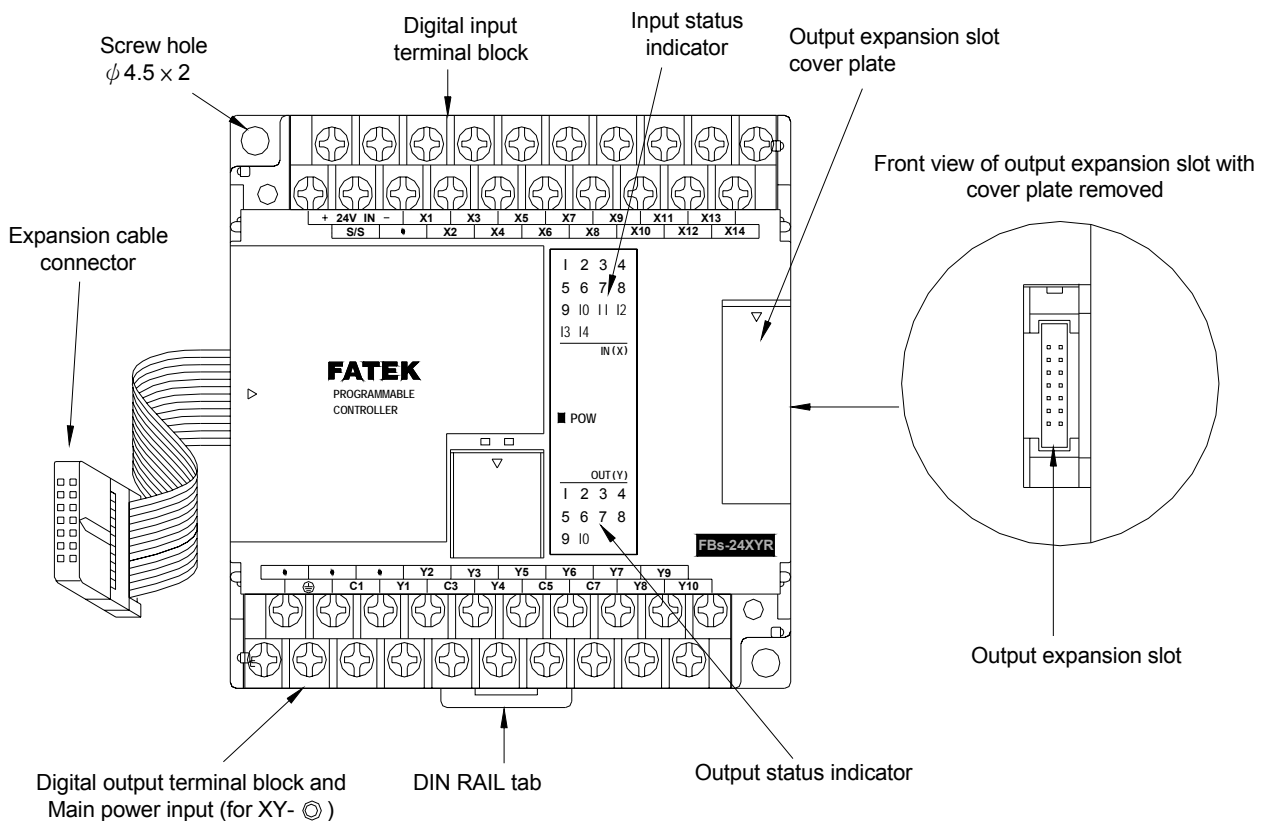
- ① 35mm-width DIN RAIL
- ② DIN RAIL tab
- ③ Hole for screw fixation ( $\phi 4.5 \times 2$ )
- ④ Terminals of 24VDC power input and digital input (Pitch 7.62mm)
- ⑤ Terminals of main power input and digital output (Pitch 7.62mm)
- ⑥ Standard cover plate (without communication board)
- ⑦ Cover plate of built-in communication port (Port 0)

- ⑧ Indicators for transmit (TX) and receive (RX) status of built-in communication port (Port0).
- ⑨ Indicator for Digital Input (Xn).
- ⑩ Indicator for Digital Output (Yn).
- ⑪ Indicator for system status (POW, RUN, ERR).
- ⑫ I/O output expansion header cover [units of 20 points or beyond only], with esthetic purpose and capable of securing expansion cable.
- ⑬ FBS-CB22 Communication Board (CB).
- ⑭ FBS-CB22 CB cover plate (each CB has its own specific cover plate)
- ⑮ Screw holes of communication board.
- ⑯ Connector for communication board (for 7 types CB of CB2, CB22, CB5, CB55, CB25, CBE, CBCAN , 3 types AIO of B2DA, B2AD, B4AD, and 2 types DAP of BDAP and BPEP)
- ⑰ Left side (communication) expansion header (only available in MC/MN model, for CM22, CM25, CM55, CM25E, CM55E, and CMGSM connection).
- ⑱ Connector for Memory Pack.
- ⑲ Connector for built-in communication port (Port 0) (With USB and RS232 optional, shown in the figure is for RS232)
- ⑳ Right side (I/O) output expansion header (only available in units with 20 points or beyond), for connecting with cables from expansion units/modules.

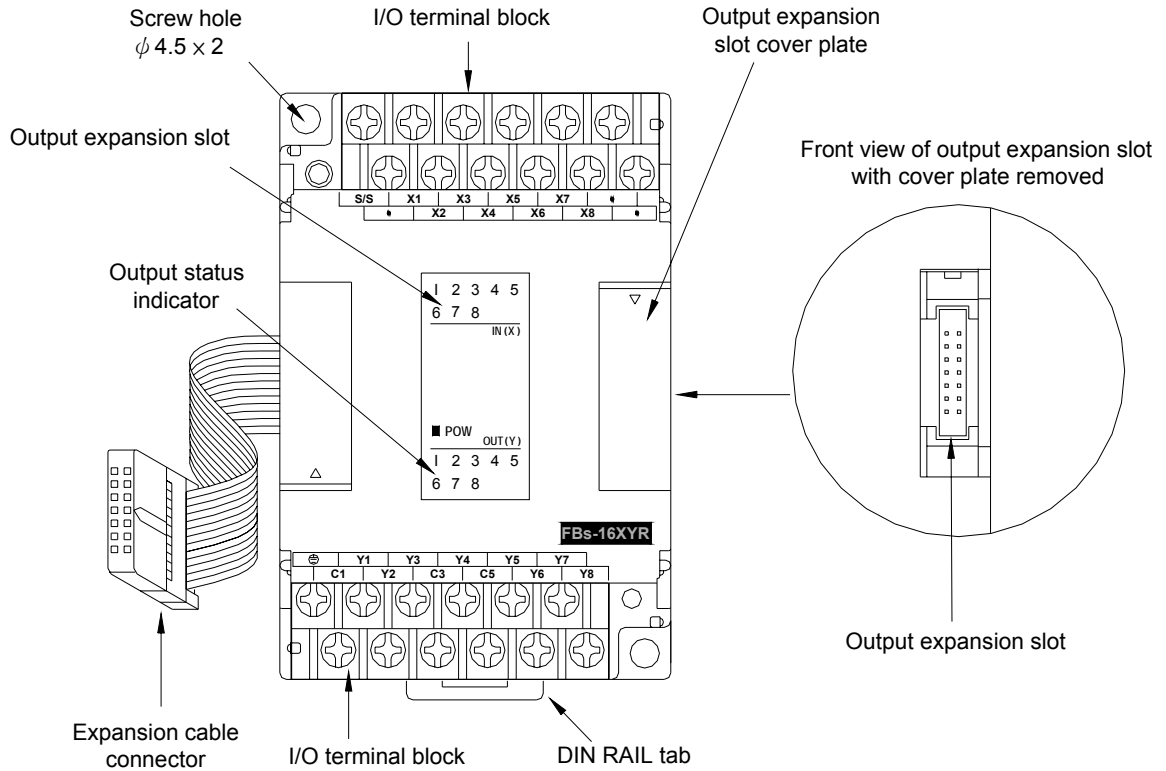
## 1.2 Appearance of Expansion Unit/Module

There are three types of cases for expansion units/modules. One type uses the same case as main unit that of the 90mm, 130mm, and 175mm, while the other two have thinner 40mm and 60mm cases, which are for expansion modules. All expansion cables (left) of expansion units/modules are flat ribbon cables (5cm long), which were soldered directly on the PCB, and the expansion header (right) is a 14Pin Header, with this to connect the right adjacent expansion units/modules. In the following, each of the three types of expansion units/modules is described as an example:

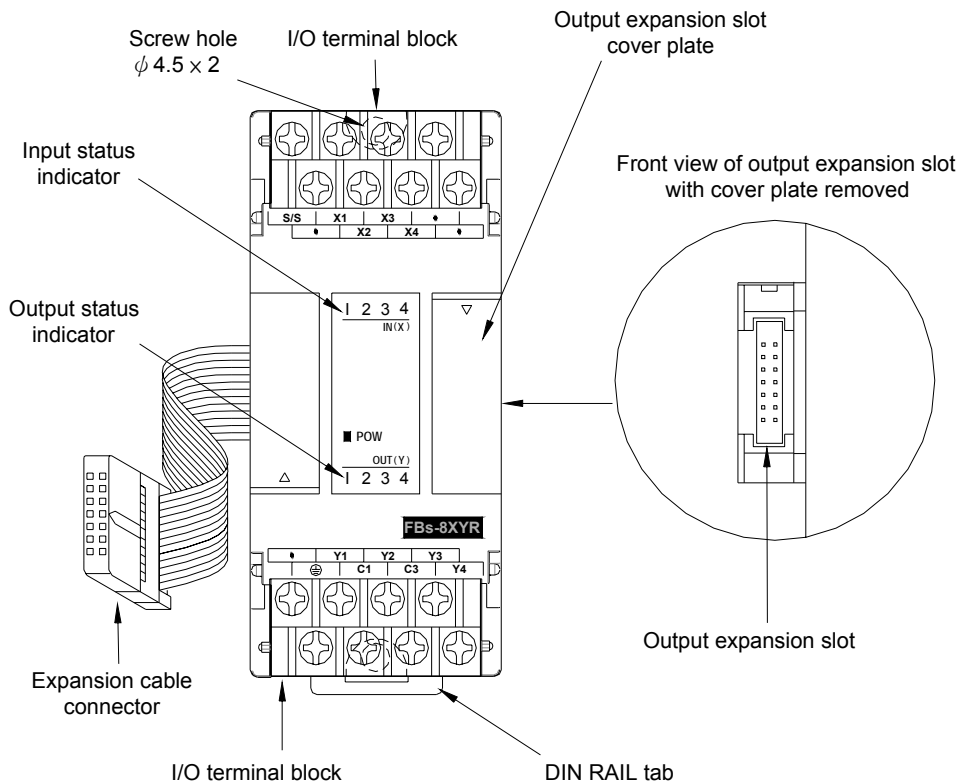
- Expansion unit/module with 90mm, 130mm, or 175mm width case: [ -24XY◇ - ◎, -40XY◇ - ◎, -60XY◇ - ◎, -16TC, -16RTD]



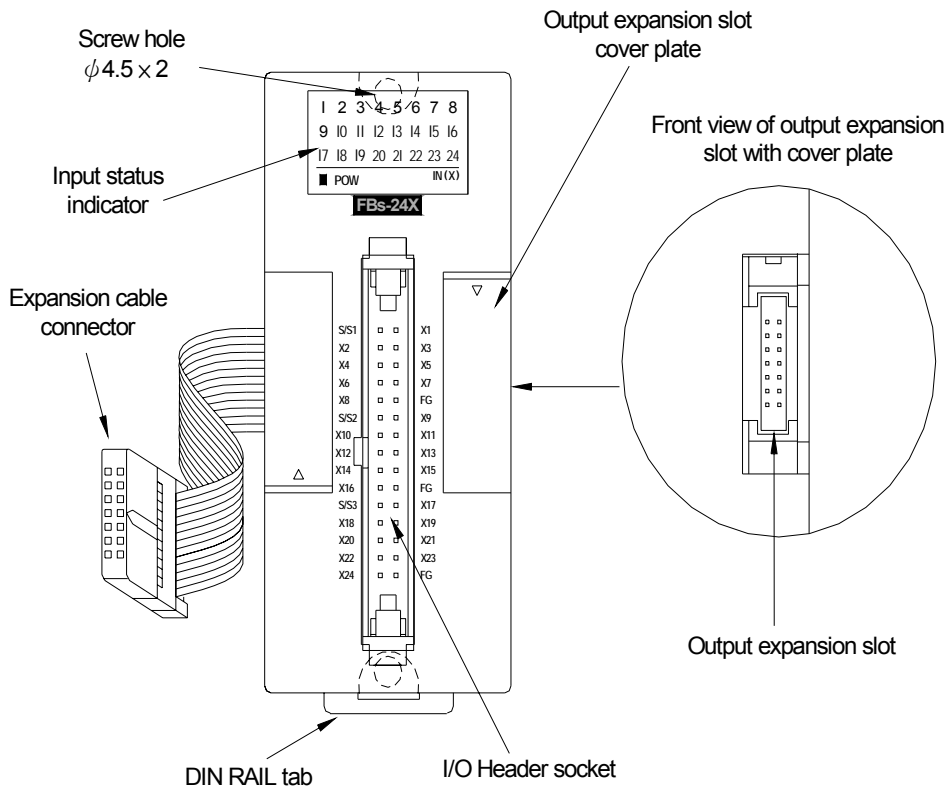
- Expansion unit/module with 60mm width case: [-16XY◇, -16Y◇, -20X ]



- Expansion module with 40mm width case: [-8XY◇, -8Y◇, -8X, -6AD, -2DA, -4DA, -4A2D, -2A4TC, -2A4RTD, -7SG1, -7SG2, -2TC, -6TC, -6RTD, -CM5H, -6NTC, -4PT, -1LC, -1HLC, -VOM ]

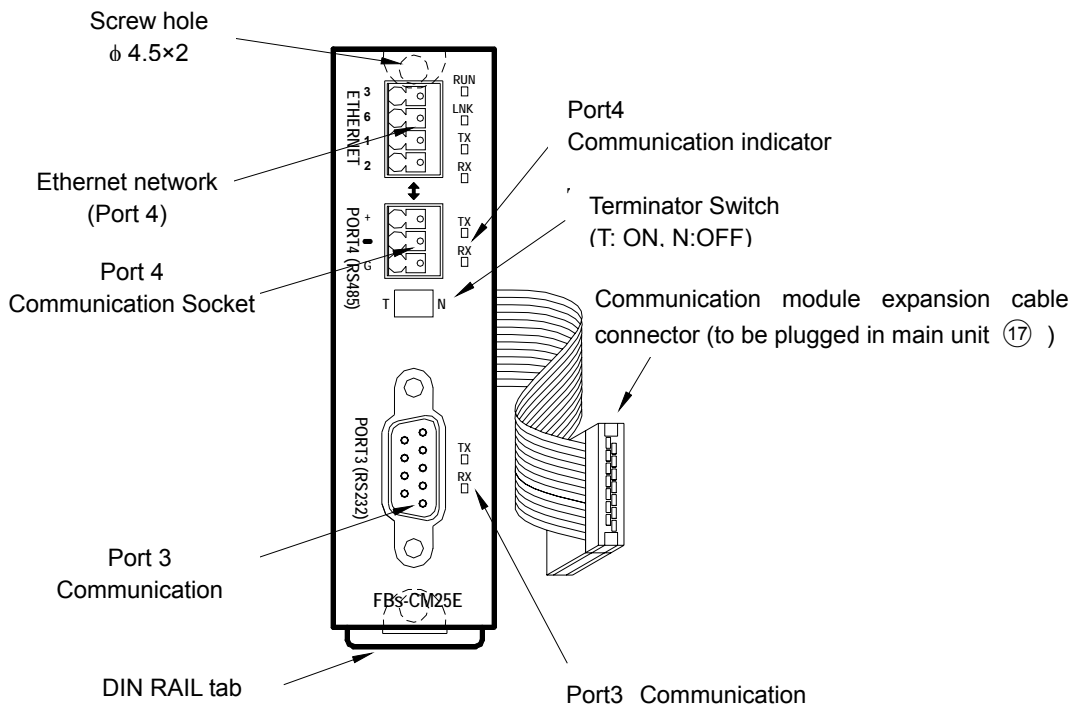


- Expansion module with 40mm width case: [ -24X, -24YT, -24YJ, -32DGI ]



### 1.3 Appearance of Communication Expansion Module

The Communication Module (CM) of FBs-PLC has a 25mm-width case, which can be used in the following seven modules: -CM22, -CM25, -CM55, -CM25E, -CM55E, -CM25C, -CM5R.



## 1.4 List of FBs-PLC Models

Module Name		Specifications		
Main Units	Basic Main Units	FBs-10MA◇△-◎-C	6 points 24VDC digital input (2 points high speed 100KHz, 2 points medium speed 20KHz, 2 points medium speed total 5KHz); 4 points relay or transistor output (2 points high speed 100KHz, 2 points medium speed 20KHz); 1 RS232 or USB port(expandable up to 3); I/O is not expandable	
		FBs-14MA◇△-◎-C	8 points 24VDC digital input (2 points high speed 100KHz, 2 points medium speed 20KHz, 4 points medium speed total 5KHz); 6 points relay or transistor output (2 point high speed 100KHz, 4 points medium speed 20KHz); 1 RS232 or USB port(expandable up to 3); I/O is not expandable	
		FBs-20MA◇△-◎-C	12 points 24VDC digital input (2 points high speed 100KHz, 4 points medium speed 20KHz, 6 points medium speed total 5KHz); 8 points relay or transistor output (2 points high speed 100KHz, 6 points medium speed 20KHz); 1 RS232 or USB port(expandable up to 3)	
		FBs-24MA◇△-◎-C	14 points 24VDC digital input (2 points high speed 100KHz, 6 points medium speed 20KHz, 6 points medium speed total 5KHz); 10 points relay or transistor output (2 points high speed 100KHz, 6 points medium speed 20KHz); 1 RS232 or USB port(expandable up to 3)	
		FBs-32MA◇△-◎-C FBs-32MB◇△-◎-C	20 points 24VDC digital input (2 points high speed 100KHz, 6 points medium speed 20KHz, 8 points medium speed total 5KHz); 12 points relay or transistor output (2 points high speed 100KHz, 6 points medium speed 20KHz); 1 RS232 or USB port(expandable up to 3); (MB is detachable terminal block)	
		FBs-40MA◇△-◎-C FBs-40MB◇△-◎-C	24 points 24VDC digital input (2 points high speed 100KHz, 6 points medium speed 20KHz, 8 points medium speed total 5KHz); 16 points relay or transistor output (2 points high speed 100KHz, 6 points medium speed 20KHz); 1 RS232 or USB port(expandable up to 3); (MB is detachable terminal block)	
		FBs-60MA◇△-◎-C FBs-60MB◇△-◎-C	36 points 24VDC digital input (2 points high speed 100KHz, 6 points medium speed 20KHz, 8 points medium speed total 5KHz); 24 points relay or transistor output (2 points high speed 100KHz, 6 points medium speed 20KHz); 1 RS232 or USB port(expandable up to 3); (MB is detachable terminal block)	
	Advanced Main Units	FBs-10MC◇△-◎	6 points 24VDC digital input (2 points high speed 200KHz, 2 points medium speed 20KHz, 2 points medium speed total 5KHz); 4 points relay or transistor output (2 points high speed 200KHz, 2 points medium speed 20KHz); 1 RS232 or USB port (expandable up to 5); built-in RTC; I/O is not expandable	
		FBs-14MC◇△-◎	8 points 24VDC digital input (2 points high speed 200KHz, 2 points medium speed 20KHz, 4 points medium speed total 5KHz); 6 points relay or transistor output (2 points high speed 200KHz, 4 points medium speed 20KHz); 1 RS232 or USB port (expandable up to 5); built-in RTC; I/O is not expandable	
		FBs-20MC◇△-◎	12 points 24VDC digital input (4 points high speed 200KHz, 2 points medium speed 20KHz, 6 points medium speed total 5KHz); 8 points relay or transistor output (4 points high speed 200KHz, 4 points medium speed 20KHz); 1 RS232 or USB port (expandable up to 5); built-in RTC; detachable terminal block	
		FBs-24MC◇△-◎	14 points 24VDC digital input (4 points high speed 200KHz, 4 points medium speed 20KHz, 6 points medium speed total 5KHz); 10 points relay or transistor output (4 points high speed 200KHz, 4 points medium speed 20KHz); 1 RS232 or USB port (expandable up to 5); built-in RTC; detachable terminal block	
		FBs-32MC◇△-◎	20 points 24VDC digital input (6 points high speed 200KHz, 2 points medium speed 20KHz, 8 points medium speed total 5KHz); 12 points relay or transistor output (6 points high speed 200KHz, 2 points medium speed 20KHz); 1 RS232 or USB port (expandable up to 5); built-in RTC; detachable terminal block	
		FBs-40MC◇△-◎	24 points 24VDC digital input (6 points high speed 200KHz, 2 points medium speed 20KHz, 8 points medium speed total 5KHz); 16 points relay or transistor output (6 points high speed 200KHz, 2 points medium speed 20KHz); 1 RS232 or USB port (expandable up to 5); built-in RTC; detachable terminal block	
		FBs-60MC◇△-◎	36 points 24VDC digital input (8 points high speed 200KHz, 8 points medium speed total 5KHz); 24 points relay or transistor output (8 points high speed 200KHz); 1 RS232 or USB port (expandable up to 5); built-in RTC; detachable terminal block	
	NC Positioning Main Units	FBs-20MN◇△-◎	2 sets (1 axis) 920KHz 5VDC digital differential input, 10 points 24VDC digital input (4 points high speed 200KHz, 6 points medium speed total 5KHz); 2 sets (1 axis) 920KHz 5VDC digital differential output, 6 points relay or transistor output (average high speed 200KHz); 1 RS232 or USB port (expandable up to 5); built-in RTC; detachable terminal block	
		FBs-32MN◇△-◎	4 sets (2 axes) 920KHz 5VDC digital differential input, 16 points 24VDC digital input (4 points high speed 200KHz, 8 points medium speed total 5KHz); 4 sets (2 axes) 920KHz 5VDC digital differential output, 6 points relay or transistor output (4 points high speed 200KHz); 1 RS232 or USB port (expandable up to 5); built-in RTC; detachable terminal block	
		FBs-44MN◇△-◎	8 sets (4 axes) 920KHz 5VDC digital differential input, 20 points 24VDC digital input (8 points medium speed total 5KHz); 8 sets (4 axes) 920KHz 5VDC digital differential output, 8 points relay or low speed transistor output; 1 RS232 or USB port (expandable up to 5); built-in RTC; detachable terminal block	
	Right Side Expansion Modules	Expansion Power Supply	FBs-EPW-AC/D24	Power supply of 100~240VAC or 24VDC input for expansion module; 3 sets output power with 5VDC, 24VDC, and 24VDC, 14W capacity
		DIO Expansion Units	FBs-24XY◇-◎	14 points 24VDC digital input, 10 points relay or transistor output, built-in power supply
			FBs-40XY◇-◎	24 points 24VDC digital input, 16 points relay or transistor output, built-in power supply
			FBs-60XY◇-◎	36 points 24VDC digital input, 24 points relay or transistor output, built-in power supply
		DIO Expansion Modules	FBs-8X	8 points 24 VDC digital input
			FBs-8Y◇	8 points relay or transistor output
			FBs-8XY◇	4 points 24VDC digital input, 4 points relay or transistor output
			FBs-16Y◇	16 points relay or transistor output
			FBs-16XY◇	8 points 24VDC digital input, 8 points relay or transistor output
			FBs-20X	20 points 24VDC digital input
FBs-24XY◇			14 points 24VDC digital input, 10 points relay or transistor output	
FBs-40XY◇			24 points 24VDC digital input, 16 points relay or transistor output	
FBs-60XY◇			36 points 24VDD digital input, 24 points relay or transistor output	
FBs-24X	24 points high-density 24VDC digital input, 30 pins header with latch			
FBs-24YT/J	24 points high-density transistor SINK(T) or SOURCE(J) output (0.1A max.) · 30 pins header with latch			



Module Name		Specifications
Left Side Expansion Modules	Thumbwheel switch module	FBs-32DGI 8 sets 4 digits (total 32 digits) thumbwheel switch (or 128 points independent switch) multiplex input module, 30 pins header connector
	16/7 Segment LED display modules	FBs-7SG1 1 set 8 digits 7-segment/4 digits 16-segment LED display (or 64 points independent LED) output display module, 16 pins header connector
		FBs-7SG2 2 sets 8 digits 7-segment/4 digits 16-segment LED display (or 128 points independent LED) output display module, 16 pins header connector
	AIO modules	FBs-2DA 2 channels, 14-bit analog output module (-10~10V, 0~10V or -20~20mA, 0~20mA)
		FBs-4DA 4 channels, 14-bit analog output module (-10~10V, 0~10V or -20~20mA, 0~20mA)
		FBs-4A2D 4 channels, 14-bit analog input (same specification as 6AD)+2 channels, 14-bit analog output (same specification as 2DA) combo module
		FBs-6AD 6 channels, 14-bit analog input module (-10~10V, 0~10V or -20~20mA, 0~20mA)
	Temperature measurement modules	FBs-2TC 2 channels, thermocouple temperature input module with 0.1°C resolution.
		FBs-6TC 6 channels, thermocouple temperature input module with 0.1°C resolution.
		FBs-16TC 16 channels, thermocouple temperature input module with 0.1°C resolution.
		FBs-6RTD 6 channels, RTD temperature input module with 0.1°C resolution.
		FBs-16RTD 16 channels, RTD temperature input module with 0.1°C resolution.
		FBs-6NTC 6 channels, NTC temperature input module with 0.1°C resolution.
	AI + Temperature Measurement combo modules	FBs-2A4TC 2 channels, 14-bit analog input (same specifications as 6AD)+ 4 channels thermocouple temperature input (same specifications as 6TC) combo module
		FBs-2A4RTD 2 channels, 14-bit analog input (same specifications as 6AD) + 4 channels RTD temperature input (same specifications as 6RTD) combo module
Voice modules	FBs-VOM Built-in 1MB memory (play continuously up to 2 minutes), extendable 4GB SD card(play continuously up to 8,000 minutes) voice module, 245 messages, output 2W	
Load Cell Module	FBs-1LC 1 channel, load cell measurement module with 16-bit resolution (including sign bit)	
Potential Meter Module	FBs-4PT 4 channels, 14-bit potential meter input module (Impedance range: 1~10K Ω)	
Communication modules	FBs-CM22 2 ports RS232 (Port3 +Port 4) communication module	
	FBs-CM55 2 ports RS485 (Port3 +Port 4) communication module	
	FBs-CM25 1 port RS232 (Port3) + 1 port RS485 (port 4) communication module	
	FBs-CM25E 1 port RS232 (Port3) + 1 port RS485 (port 4) + Ethernet network interface communication module	
	FBs-CM55E 1 port RS485 (Port3) + 1 port RS485 (port 4) + Ethernet network interface communication module	
	FBs-CMZB ZigBee communication module	
	FBs-CMZBR ZigBee communication repeater	
	FBs-CMGSM GSM wireless communication module	
	FBs-CM25C General purpose RS232 to RS485/RS422 communication interface converter with photocouple isolation	
	FBs-CM5R General purpose RS485 repeater with photocouple isolation	
	FBs-CM5H General purpose 4 ports RS485 HUB with photocouple isolation, RS485 can be connected as star connection	
Communication boards	FBs-CB2 1 port RS232 (Port 2) communication board	
	FBs-CB22 2 ports RS232 (Port 1+ Port 2) communication board	
	FBs-CB5 1 port RS485 (Port 2) communication board	
	FBs-CB55 2 ports RS485 (Port 1+ Port 2) communication board	
	FBs-CB25 1 port RS232 (Port 1) + 1 port RS485 (Port 2) communication board	
	FBs-CBE 1 port 10 Base T Ethernet communication board	
	FBs-CBEH 1 port 100 Base T Ethernet communication board	
AIO boards	FBs-CBCAN 1 port CANopen communication board	
	FBs-B2DA 2 channels, 12-bit analog output board (0~10V or 0~20mA)	
	FBs-B2A1D 2 channels, 12-bit analog input + 1 channel, 12-bit analog output combo analog board (0~10V or 0~20mA)	
FBs-B4AD 4 channels, 12-bit analog input board (0~10V or 0~20mA)		
Precision Load Cell Module	FBs-1HLC 1 channel, high precision weighing control module with 24-bit resolution	
3-Axis Motion Control Module	FBs-30GM 3-Axis with linear and circular interpolation advanced motional control module, 3 sets of 200KHz high speed pulse input, 3 sets of 500KHz high speed pulse output, 14 points main unit, 16M Bytes program capacity, 20K Words retentive file register, built-in RS485 and Ethernet, 7.62mm detachable terminal block	
Simple HMI	FBs-BDAP Board type Data Access Panel	
	FBs-BPEP Board type Parameter Entry Panel	
	FBs-PEP/PEPR Multi characters with graphics-based Parameter Entry Panel, built-in RFID Read/Write module with PEPR	
	FBs-DAP-B/BR 16 X 2 LCD character display, 20 keys keyboard, 24VDC power supply, RS485 communication interface, built-in RFID Read/Write module with BR	
	FBs-DAP-C/CR 16 X 2 LCD character display, 20 keys keyboard, 5VDC power supply, RS232 communication interface, built-in RFID Read/Write module with CR	

Module Name		Specifications	
Peripheral and Accessory	RFID Card	CARD-H Read / Write wireless card (for FBs-DAP-BR/CR and FBs-PEPR)	
	Programming Devices	FP-08 Winproladder	FBs- Series PLC handheld programmer FATEK-PLC Winproladder Programming software
		Memory Pack	FBs-PACK FBs-PLC program memory pack with 20K Words program, 20K Words register, write protection switch
	PWMDA module	PWMDA 10-bit single channel pulse width modulation(PWM) 0~10V analog output (AO) module	
	USB- RS232 Converter Cable	FBs-U2C-MD-180 Communication converter cable with standard USB AM connector to RS232 MD4M connector (used in standard PC USB to FBs main unit Port 0 RS232), length 180cm	
	Communication cables	FBs-232P0-9F-150	MD4M to DB9F communication cable (FBs main unit Port 0 RS232 connect to standard DB9M), length 150cm
		FBs-232P0-9M-400	MD4M to DB9M communication cable (FBs main unit Port 0 RS232 connect to DB9F), length 400cm
		FBs-232P0-MD-200	MD4M to MD4M communication cable (FBs main unit Port 0 RS232 connect to FBs-PEP/PEPR), length 200cm
		FBs-232P0-MDR-200	MD4M to 90° MD4M communication cable (FBs main unit Port 0 RS232 connect to FBs-PEP/PEPR), length 200cm
	High density DIO cable	HD30-22AWG-200 High density modules(FBs-24X, FBs-24YT/J, FBs-32DGI) connector , 30pin Socket, 22AWG I/O cable, length200cm	
	16/7-Segment LED display	DBAN.8-nR	0.8" 4-digit 16-segment LED display, n means R(Red) 16-segment LED characters display installed, can be 1~4
		DBAN.2.3-nR	2.3" 4-digit 16-segment LED display, n means R(Red) 16-segment LED characters display installed, can be 1~4
		DB.56-nR	0.56" 8-digit 7-segment display, n means R(Red) 7-segment LED characters display installed, can be 1~8
		DB.8-nR	0.8" 8-digit 7-segment display, n means R(Red) 7-segment LED characters display installed, can be 1~8
		DB2.3-nR	2.3" 8-digit 7-segment display, n means R(Red) 7-segment LED characters display installed, can be 1~8
DB4.0-nR	4.0" 4-digit 7-segment display, n means R(Red) 7-segment LED characters display installed, can be 1~4		
Training Box	FBs-TBOX 46cm x 32 cm x 16cm suitcase, containing FBs-24MCT main unit. FBs-CM25E communication module (RS232 + RS485 + Ethernet network), 14 simulated input switches, 10 external relay output, Doctor terminal outlet I/O, peripherals such as stepping motor, encoder, 7-segment display, 10 of 10mm LED indicator, thumbwheel switch, and 16 key keyboard.		

- ◇ : R — Relay output ; T — Transistor SINK(NPN) output ; J — Transistor SOURCE (PNP) output
- △ : 2 — built-in RS232 port ; U — built-in USB port (non-standard)
- ◎ : AC — 100~240VAC power supply ; D12 — 12VDC power supply ; D24 — 24VDC power supply
- C : Blank — Standard ; —C — add in RTC
- The unmarked frequencies of Digital Input (DI) or Digital Output (DO) are low speed.

## 1.5 Specifications of Main Unit

Item		Specification				Note	
Execution Speed		0.33uS/per Sequence Command					
Space of Control Program		20K Words					
Program Memory		FLASH ROM or SRAM + Lithium battery for Back-up					
Sequence Command		36					
Application Command		326 (126 types)				Include Derived Commands	
Flow Chart (SFC) Command		4					
Single Point 《BIT Status》	X	Output Contact(DI)		X0~X255 (256)		Corresponding to External Digital Input Point	
	Y	Output Relay(DO)		Y0~Y255 (256)		Corresponding to External Digital Output Point	
	TR	Temporary Relay		TR0~TR39 (40)			
	M	Internal Relay	Non-retentive	M0~M799 (800)*		Can be configured as retentive type	
			Retentive	M1400~M1911 (512)			
		Special Relay	M1912~M2001 (90)		Can be configured as non-retentive type		
	S	Step Relay	Non-retentive	S0~S499 (500)*		S20~S499 can be configured as retentive type	
			Retentive	S500~S999 (500)*		Can be configured as non-retentive type	
T	Timer "Time Up" Status Contact		T0~T255 (256)				
C	Counter "Count Up" Status Contact		C0~C255 (256)				
Register 《WORD Data》	TMR	Current Time Value Register	0.01S Time base	T0~T49 (50)*		T0 ~ T255 Numbers for each time base can be flexibly adjusted.	
			0.1S Time base	T50~T199 (150)*			
		1S Time base	T200~T255 (56)*				
	CTR	Current Counter Value Register	16-Bit	Retentive	C0~C139 (140)*		Can be configured as non-retentive type
				Non-retentive	C140~C199 (60)*		Can be configured as retentive type
		32-Bit	Retentive	C200~C239 (40)*		Can be configured as non-retentive type	
			Non-retentive	C240~C255 (16)*		Can be configured as retentive type	
	HR DR	Data Register		Retentive	R0~R2999 (3000)*		Can be configured as non-retentive type
				Non-retentive	D0~D3999 (4000)		
	HR ROR	Data Register		Retentive	R3000~R3839 (840)*		Can be configured as retentive type
				Read-only Register	R5000~R8071 (3072)*		When not configured as ROR, it can serve as normal register (for read/Write)
				File Register	R5000~R8071 can be configured as ROR, default setting is (0)*		ROR is stored in special ROR area and not consume program space
	IR	Input register		R3840~R3903 (64)		Corresponding to external numeric input	
	OR	Output Register		R3904~R3967 (64)		Corresponding to external numeric output	
	SR	Special System Register		R3968~R4167 (197) R4000~R4095 (96)			
	《Special Register》	0.1mSHigh Speed Timer register		R4152~R4154 (3)			
High Speed Counter Register		Hardware(4 sets)	DR4096~DR4110 (4×4)				
		Software (4 sets)	DR4112~DR4126 (4×4)				
Real Time Calendar Register (Not available in MA model)		R4128 (sec)	R4128 (min)	R4130 (hour)	R4131 (day)	Optional for MA module	
	R4132 (month)	R4133 (year)	R4134 (week)				
XR	Index Register		V、Z (2), P0~P9 (10)				
Interrupt Control	External Interrupt Control		32 (16 point input positive/negative edges)				
	Internal Interrupt Control		8 (1, 2, 3, 4, 5, 10, 50, 100mS)				
0.1mS High Speed Timer (HST)		1 (16bits), 4 (32bits, derived from HHSC)					

High Speed Counter	Hardware High Speed Counter (HHSC) /32 bits	Channels	Up to 4	<ul style="list-style-type: none"> <li>Total number of HHSC and SHSC is 8.</li> <li>HHSC can change into High Speed Timer with 32 bits/0.1mS Time base.</li> </ul>
		Counting mode	8 (U/D, U/D×2, K/R K/R×2, A/B, A/B×2, A/B×3 A/B×4)	
		Counting frequency	Up to 200KHz (single-end input) or 920KHz (differential input)	
	Software High Speed Counter (SHSC) /32 bits	Channels	Up to 4	
		Counting mode	3 (U/D · K/R · A/B)	
		Counting frequency	Maximum sum up to 5KHz	
Communication Interface	Port0 (RS232 or USB)		Communication Speed 4.8Kbps~921.6Kbps (9.6Kbps)*	Port1~4 talk FATEK or Modbus RTU Master/Slave Communication Protocol
	Port1~Port4 (RS232, RS485 or Ethernet)		Communication Speed 4.8Kbps~921.6Kbps (9.6Kbps)*	
	Maximum Connections		254	
NC Positioning Output (PSO)	Number of Axes		Up to 4	
	Output Frequency		200KHz single output (single) 100KHz ( A/B way) 920KHz(single way) and 460KHz(A/B way) differential output.	
	Output Pulse Mode		3 (U/D · K/R · A/B)	
	Positioning Language		Special Positioning Programming Language	
HSPWM Output	Number of Points		Up to 4	
	Output Frequency		72Hz~18.432KHz (with 0.1% resolution) 720Hz~184.32KHz (with 1% resolution)	
Captured input	Points	Max.36 points (all of main units have the feature) > 10 μS(super high speed/high speed input)		
	Captured pulse width	> 47 μS(medium speed input) > 470 μS(mid/low speed input)		
Setting of Digital Filter	X0~X15	Frequency 14KHz ~ 1.8MHz Tine constant 0 ~ 1.5mS/0 ~ 15mS,adjustable by step of 0.1mS/1mS		Chosen by frequency at high frequencies Chosen by time constant at low frequencies
	X16~X35	Time constant 1mS~15mS,adjustable by step of 1mS		
Maximum expandable module		32		

## 1.6 Environmental Specifications

Item		Specification	Note	
Operating Ambient Temperature	Enclosure equipment	Minimum	5°C	Permanent Installation
		Maximum	40°C	
	Open equipment	Minimum	5°C	
		Maximum	55°C	
Storage Temperature		-25°C~+70°C		
Relative Humidity (non-condensing, RH-2)		5%~95%		
Pollution Level		Degree II		
Corrosion Resistance		By IEC-68 Standard		
Altitude		≤2000m		
Vibration	Fixed by DIN RAIL	0.5G, for 2 hours each along the 3 axes		
	Secured by screws	2G, for 2 hours each along the 3 axes		
Shock		10G, 3 times each along the 3 axes		
Noise Suppression		1500Vp-p, width 1us		
Withstand Voltage		1500VAC, 1 minute		L, N to any terminal

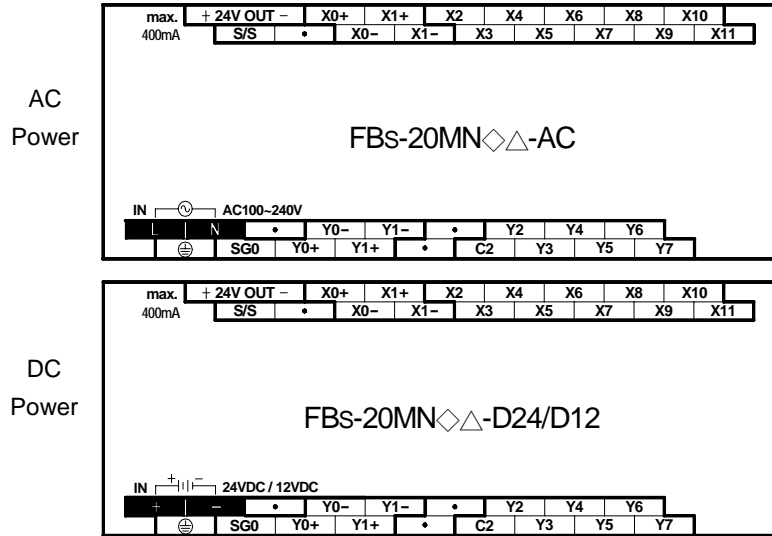
### Warning

The listed environmental specifications are for FBs-PLC under normal operation. Any operation in environment not conform to above conditions should be consulted with FATEK.

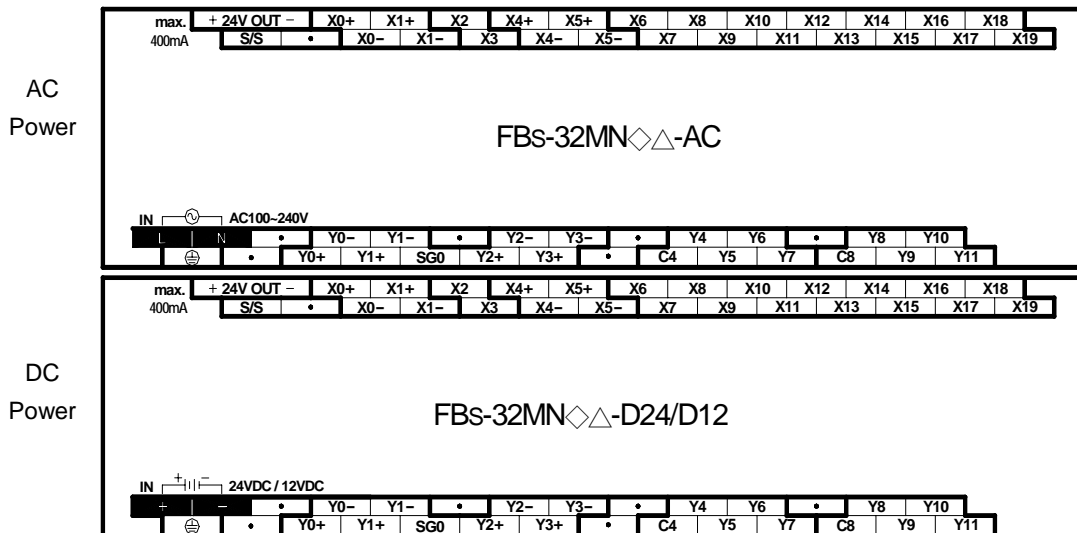
## 1.7 Connection Diagrams of Various Models

### 1.7.1 NC Control Main Unit [7.62mm Detachable Terminal Block]

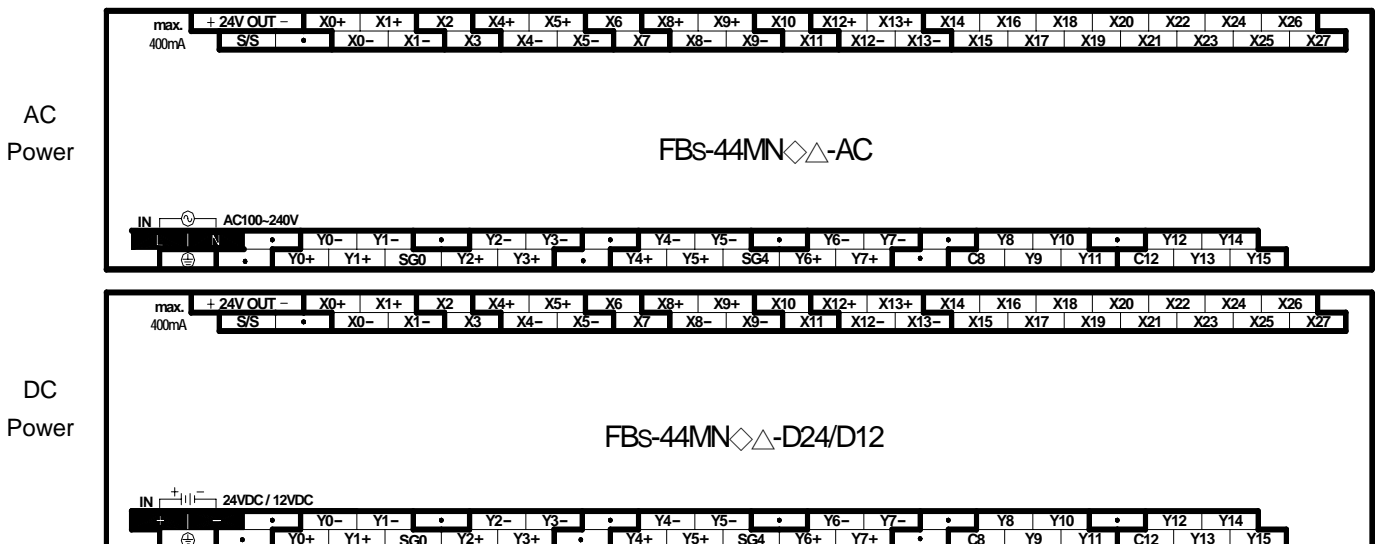
- 20 point digital I/O main unit (12 points IN, 8 points OUT)



- 32 point digital I/O main unit (20 points IN, 12 points OUT)



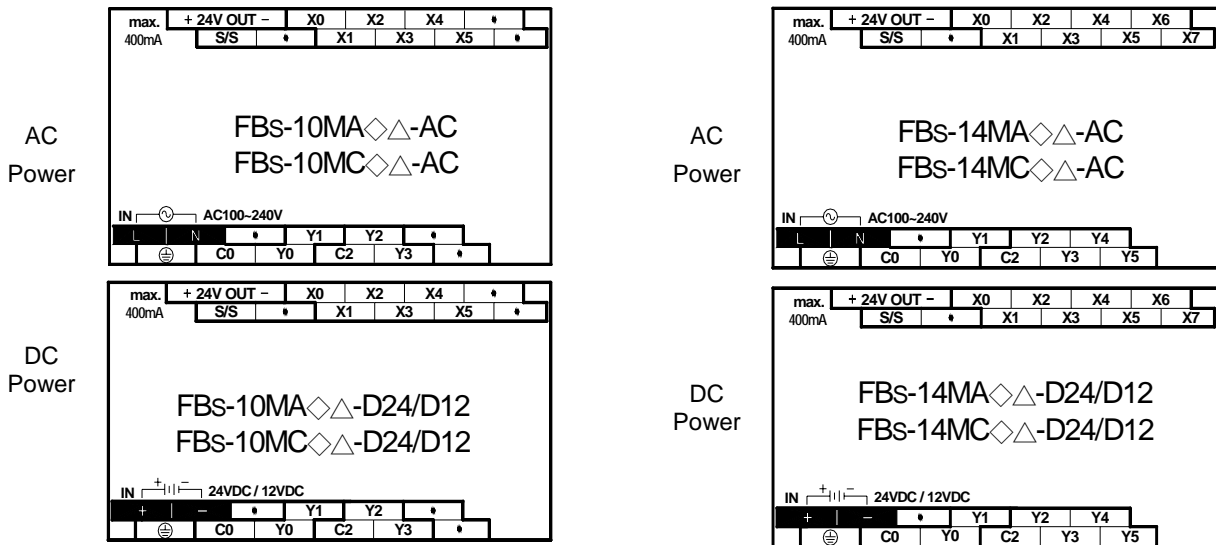
- 44 point digital I/O main unit (28 points IN, 16 points OUT)



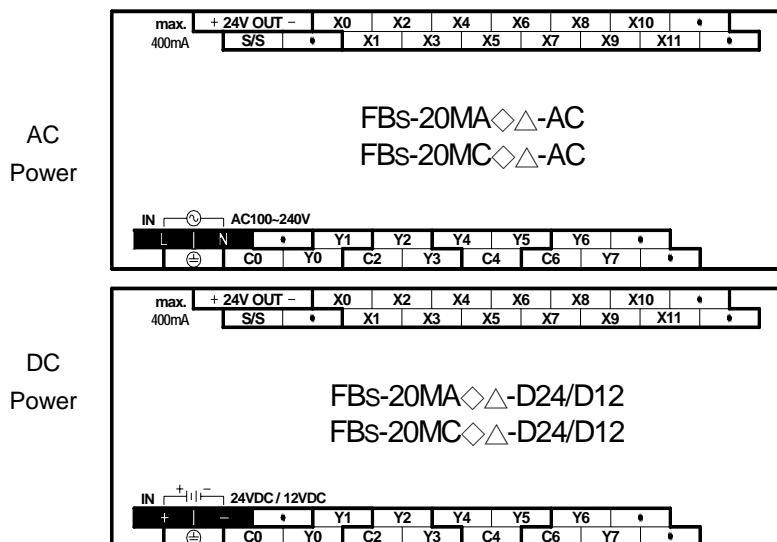
### 1.7.2 Basic/Advanced Main Unit

[7.62mm Terminal Block, fixed in model MA, detachable in models MB/MC]

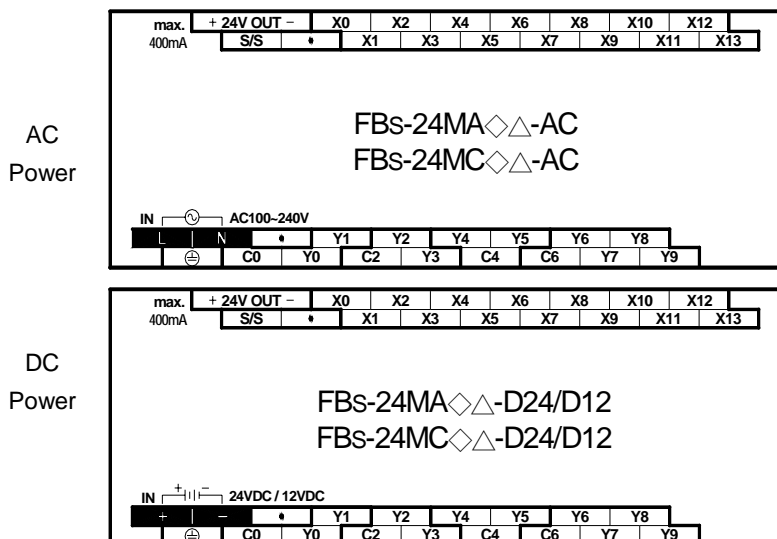
- 10 point digital I/O main unit (6 points IN, 4 points OUT)
- 14 point digital I/O main unit (8 points IN, 6 points OUT)



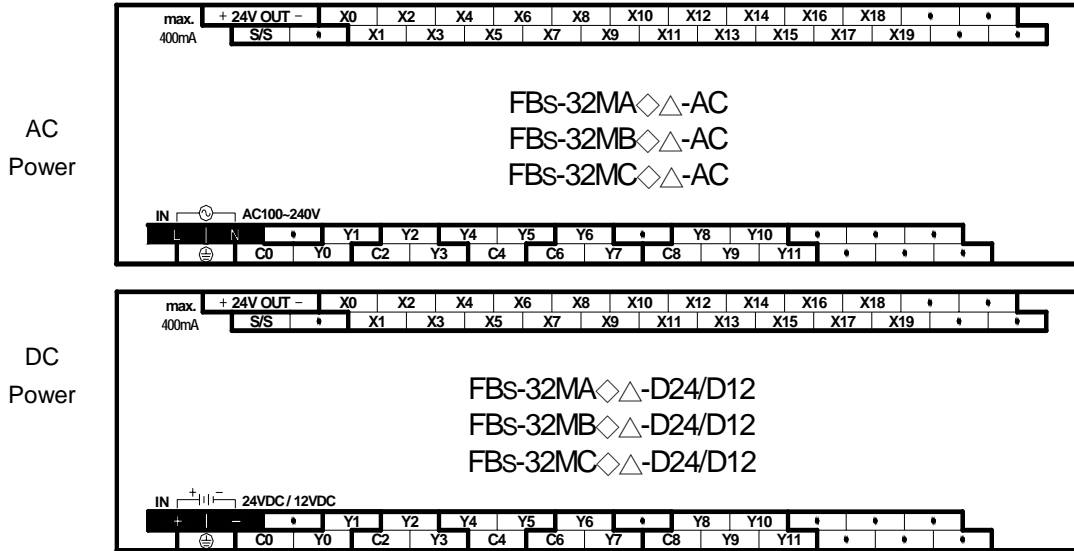
- 20 point digital I/O main unit (12 points IN, 8 points OUT)



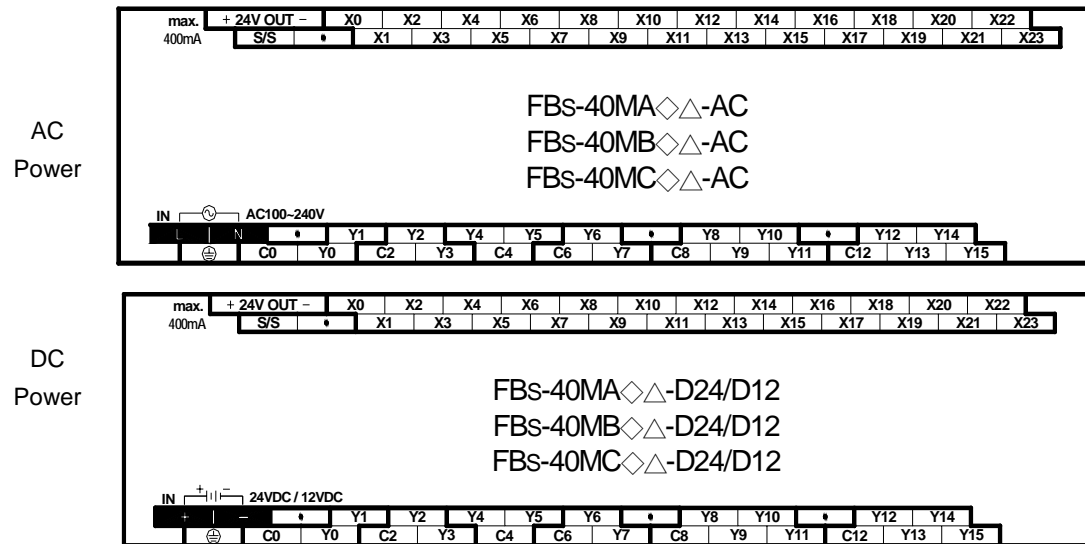
- 24 point digital I/O main unit (14 points IN, 10 points OUT)



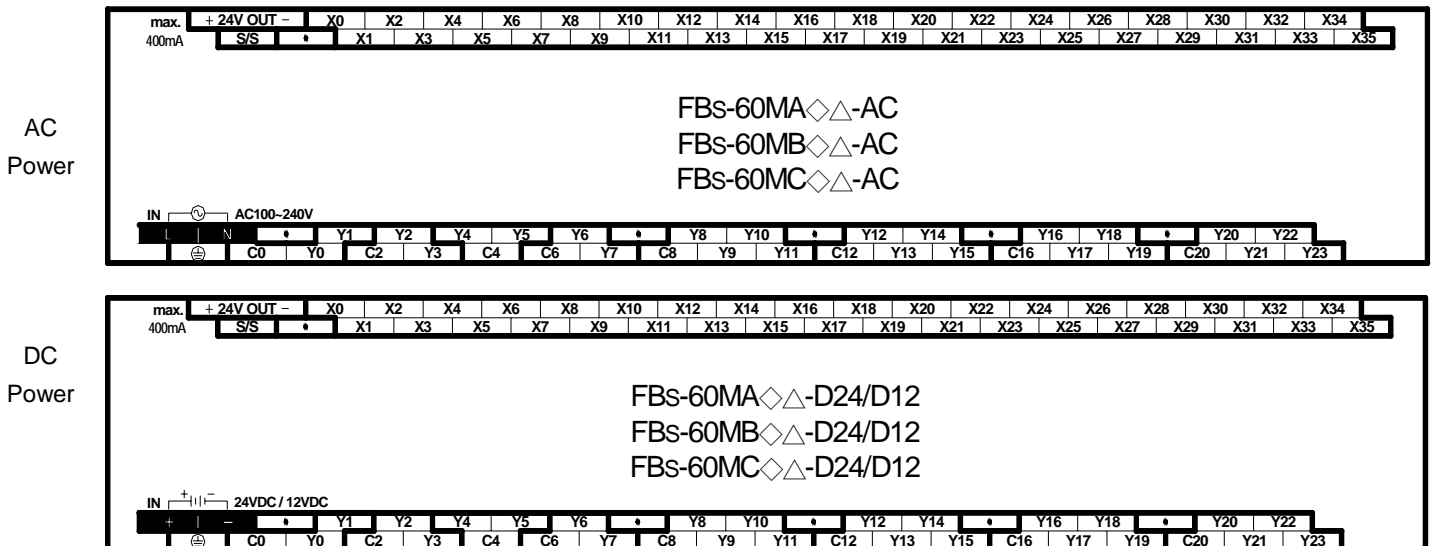
- 32 point digital I/O main unit (20 points IN, 12 points OUT)



- 40 point digital I/O main unit (24 points IN, 16 points OUT)



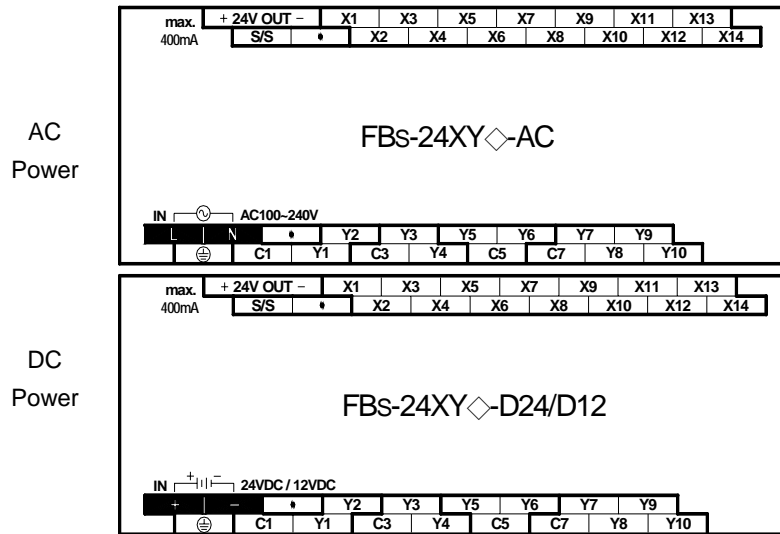
- 60 point digital I/O main unit (36 points IN, 24 points OUT)



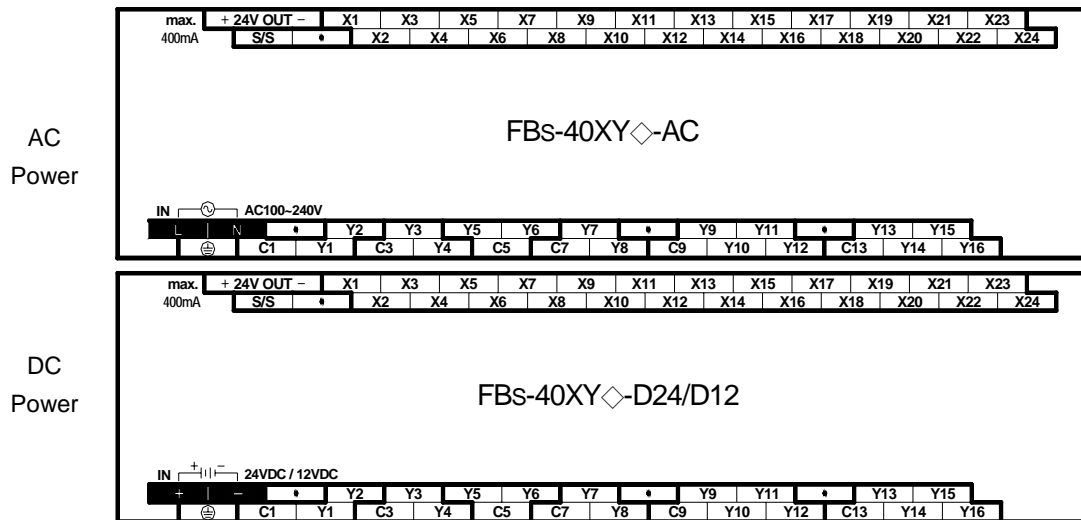
### 1.7.3 Digital I/O Expansion Unit

[7.62mm fixed terminal block]

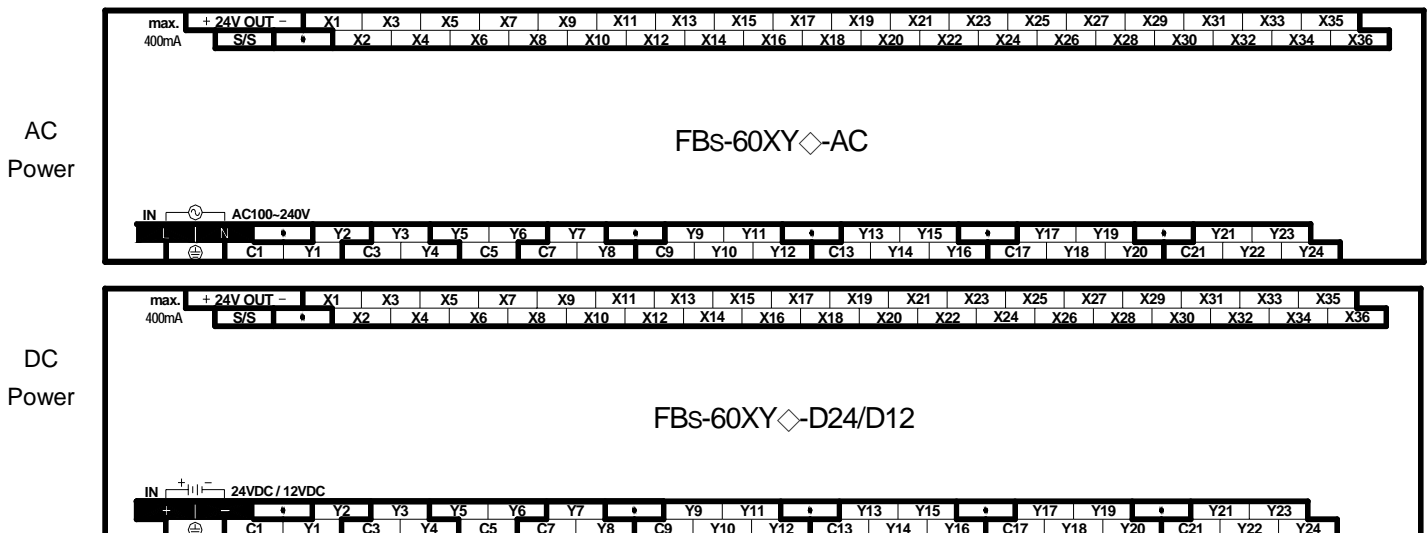
- 24 point I/O expansion unit (14 points IN, 10 points OUT)



- 40 point I/O expansion unit (24 points IN, 16 points OUT)



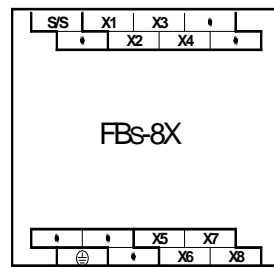
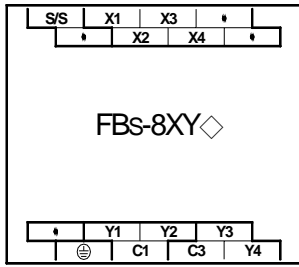
- 60 point I/O expansion unit (36 points IN, 24 points OUT)



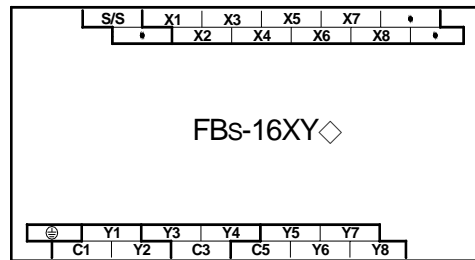
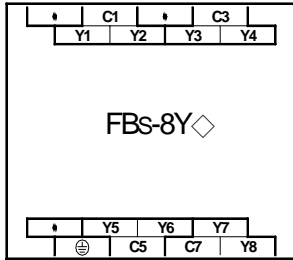


**1.7.4 Digital I/O Expansion Module** [7.62mm fixed terminal block]

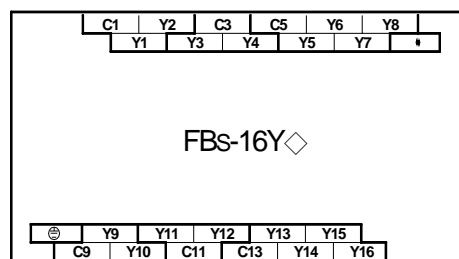
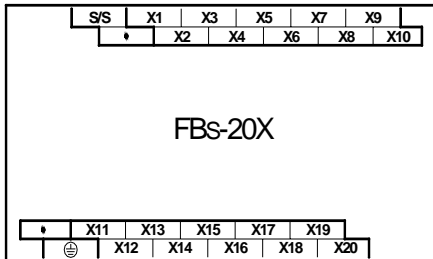
- 8 point digital I/O module (4 points IN, 4 points OUT)
- 8 point digital input module (8 points IN)



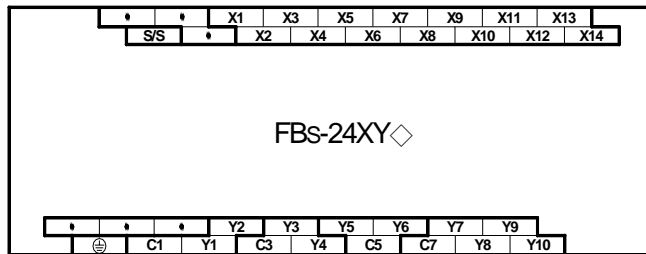
- 8 point digital output module (8 points OUT)
- 16 point digital I/O module (8 points IN, 8 points OUT)



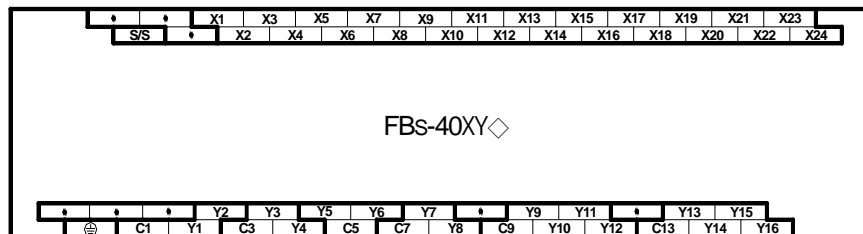
- 20 point digital input module (20 points IN)
- 16 point digital output module (16 points OUT)



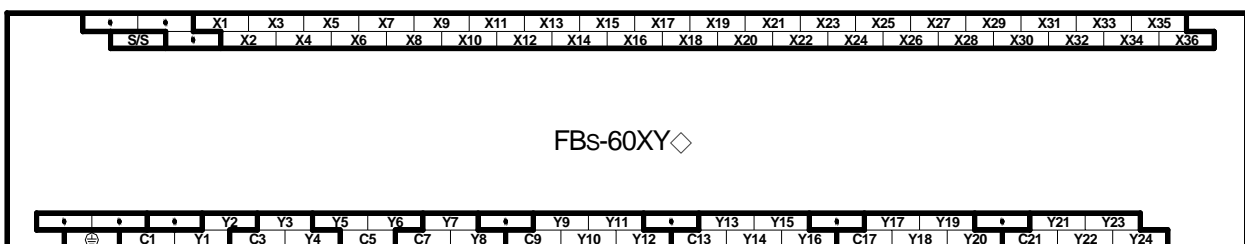
- 24 point digital I/O module (14 points IN, 10 points OUT)



- 40 point digital I/O module (24 points IN, 16 points OUT)



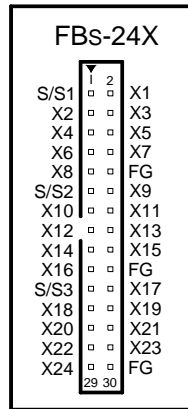
- 60 point digital I/O module (36 points IN, 24 points OUT)



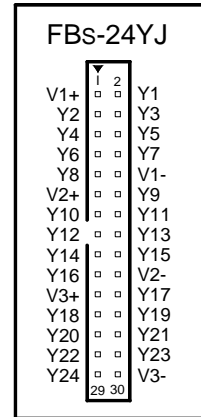
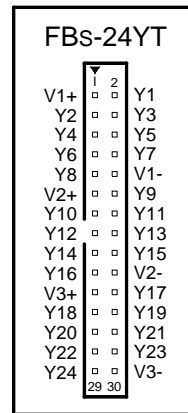
### 1.7.5 High-Density Digital I/O Expansion Module

[30Pin/2.54mm Header connector]

- 24 point high-density input module (24 points IN)



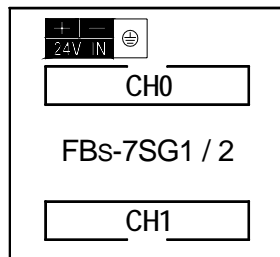
- 24 point high-density transistor output module (24 points OUT)



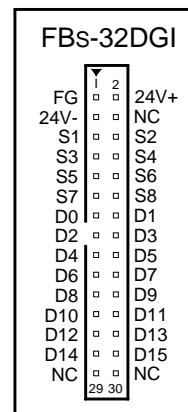
### 1.7.6 Numeric I/O Expansion Module

[2.54mm Header connector]

- 7 segment LED display module (8 digits/-7SG1, 16 digits/-7SG2) [16 pin/2.54mm Header connector]



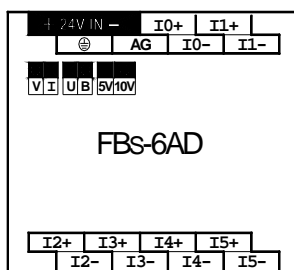
- Thumbwheel switch multiplex input module (4 digitsx8) [30Pin/2.54mm Header connector]



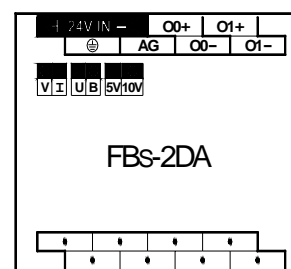
### 1.7.7 Analog I/O Expansion Module

[7.62mm fixed terminal block]

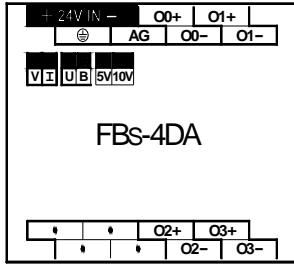
- 6 channel A/D analog input module



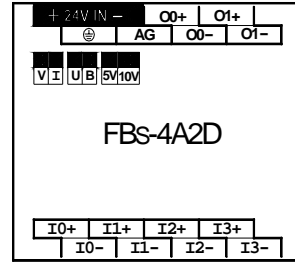
- 2 channel D/A output module



- 4 channel D/A output module



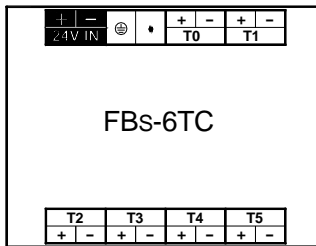
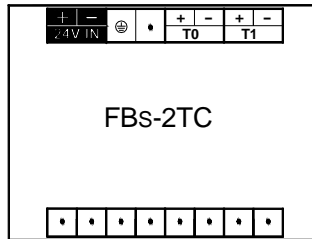
- 4 channel A/D input, 2 channel D/A output module



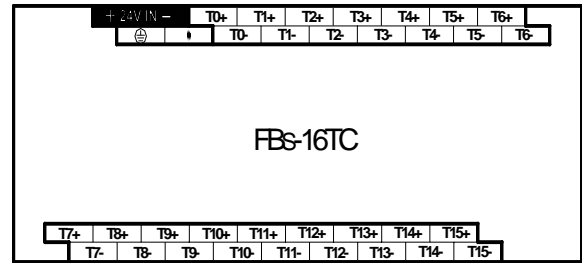
### 1.7.8 Temperature Input Module

[7.62mm fixed terminal block]

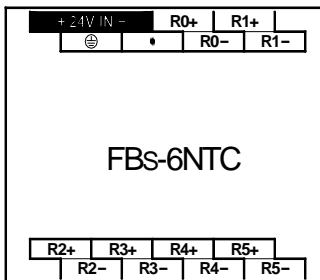
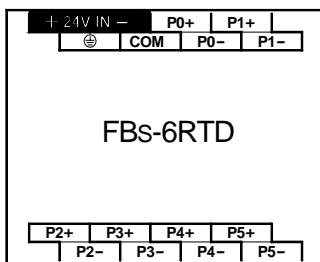
- 2/6 channel thermocouple input module



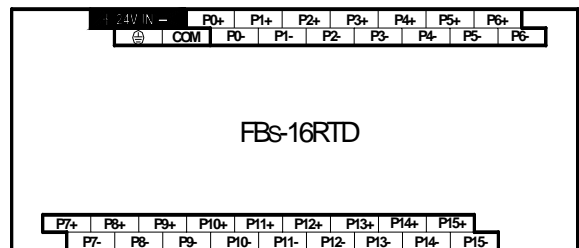
- 16 channel thermocouple input module



- 6 channel RTD input module



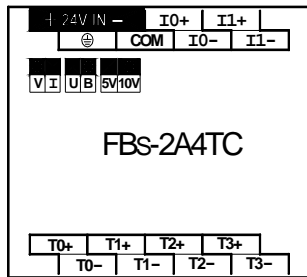
- 16 channel RTD input module



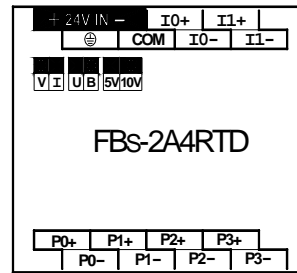
### 1.7.9 Analog/Temperature Combo Module

[7.62mm fixed terminal block]

- 2 channel A/D analog input & 4 channel thermocouple input module



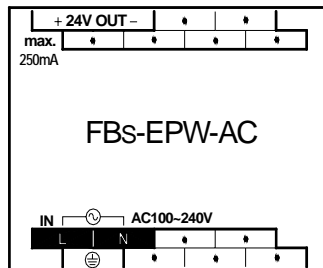
- 2 channel A/D analog input & 4 channel RTD input module



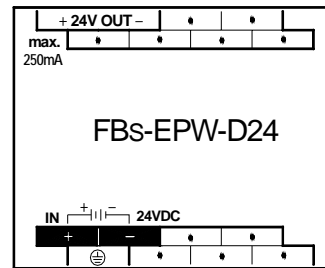
### 1.7.10 Expansion Power Module

[7.62mm fixed terminal block]

AC  
Power

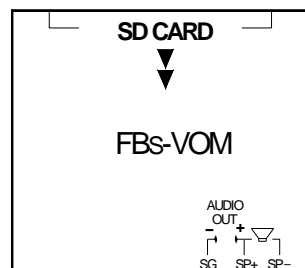


DC  
Power



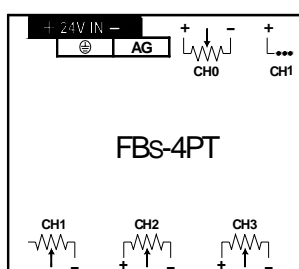
### 1.7.11 Voice Output Module

[7.62mm fixed terminal block]



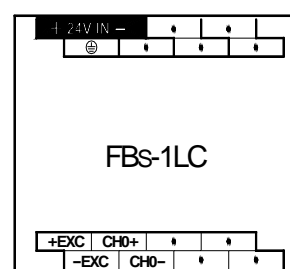
### 1.7.12 Potential Meter Module

[7.62mm fixed terminal block]



### 1.7.13 Load Cell Module

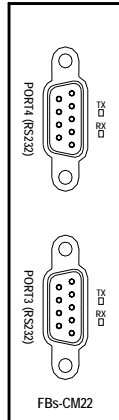
[7.62mm fixed terminal block]



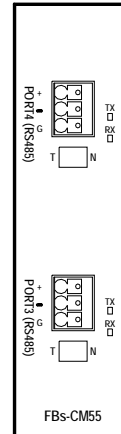
### 1.7.14 Communication Module (CM)

[DB-9F connector/3Pin or 4Pin spring terminal block]

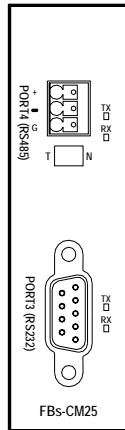
- 2 RS232 ports



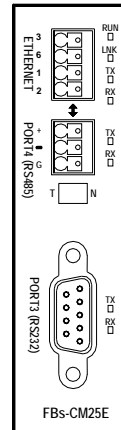
- 2 RS485 ports



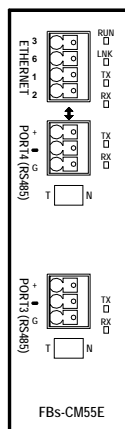
- 1 RS232 + 1 RS485 ports



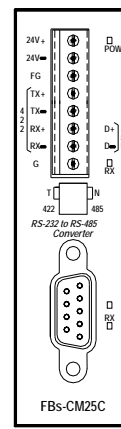
- 1 RS232 + 1 RS485 + Ethernet



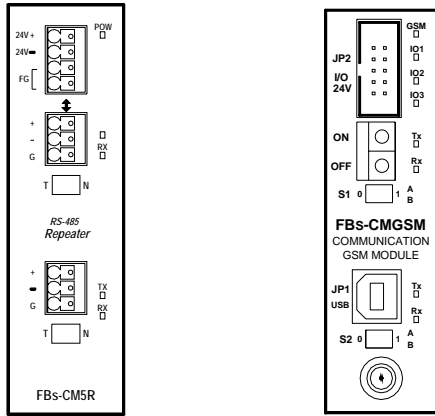
- 2 RS485 ports + Ethernet



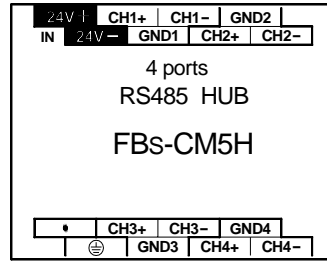
- RS232 ↔ RS485/RS222 Converter



- RS485 Repeater ● GSM/GPRS



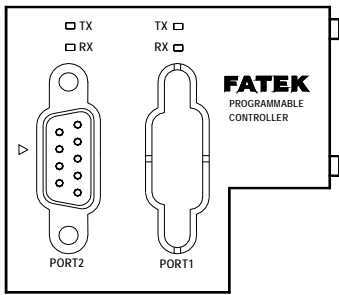
- RS485 HUB [7.62mm fixed terminal block]



### 1.7.15 Communication Board (CB)

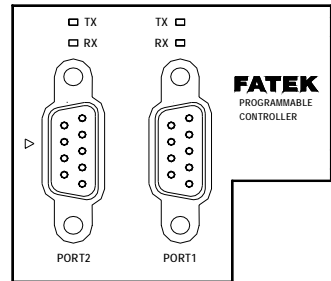
[DB9F/3Pin spring terminal block](Below are outlooks of CB and the corresponding cover plates)

- 1 RS232 port



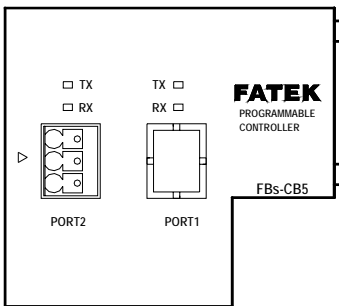
FBs-CB2

- 2 RS232 ports



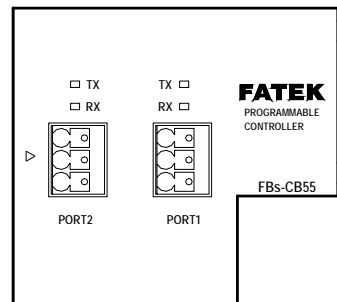
FBs-CB22

- 1 RS485 port



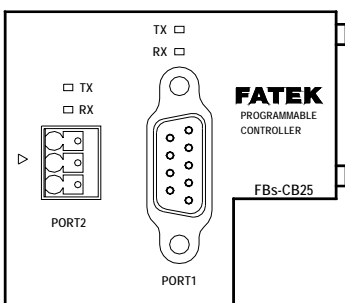
FBs-CB5

- 2 RS485 ports



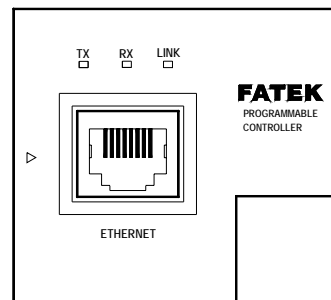
FBs-CB55

- 1 RS232 + 1 RS485 ports



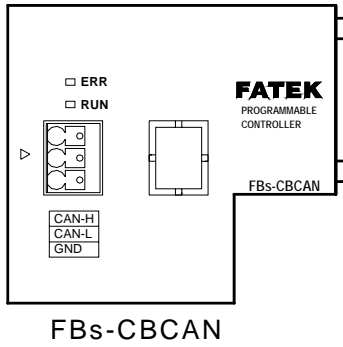
FBs-CB25

- 1 Ethernet port



FBs-CBE

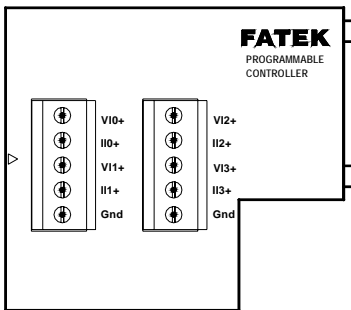
- CANopen



FBS-CBCAN

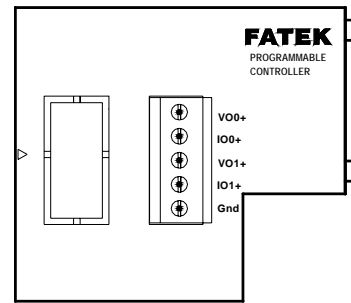
### 1.7.16 Analog Expansion Board [5Pin European terminal block]

- 4 channel A/D analog input board



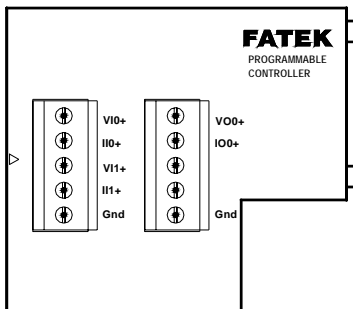
FBS-B4AD

- 2 channel D/A analog output board



FBS-B2DA

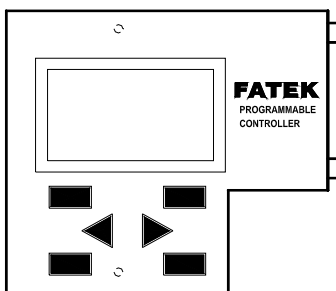
- 2 channel A/D analog input & 1 channel D/A analog output board



FBS-B2A1D

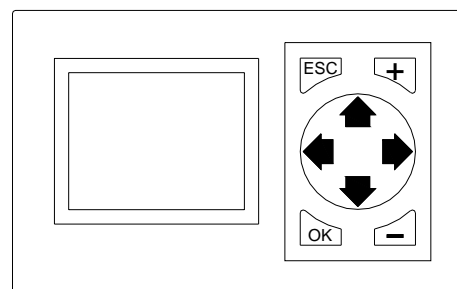
### 1.7.17 Simple HMI

- Board-type



FBS-BDAP  
FBS-BPEP

- Stand-alone



FBS-PEP

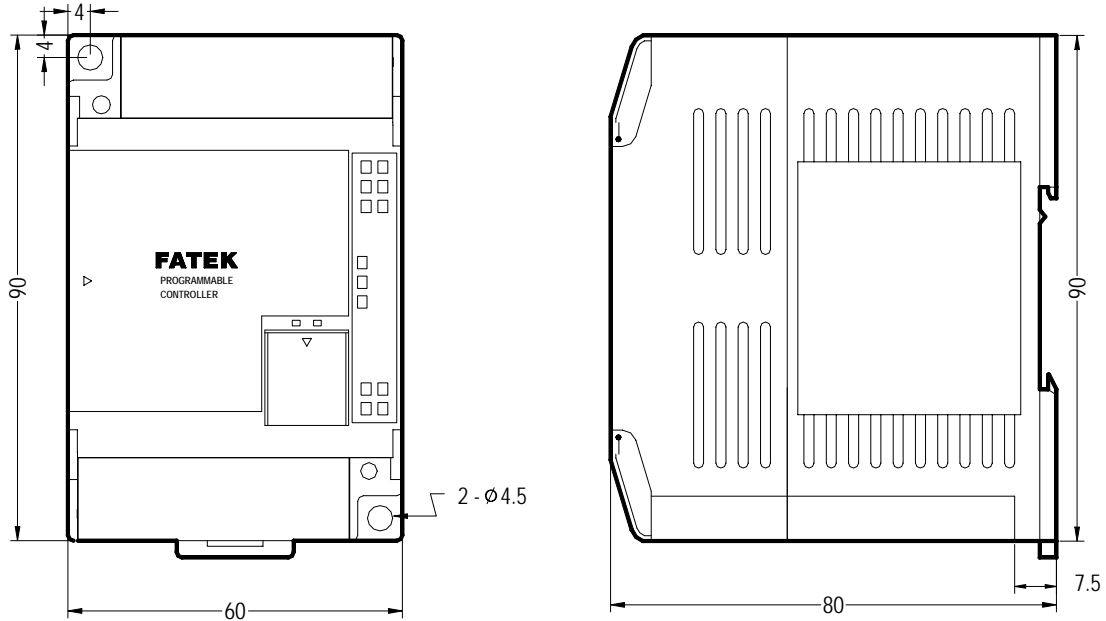
## 1.8 Drawings with External Dimensions

### (1) Outlook I :

Main Unit : FBS-10M△, FBS-14M△

Expansion Module : FBS-16Y, FBS-16XY, FBS-20X

\* (Main Unit and Expansion Module have the same type of base, with different top cover, as shown in the figure)

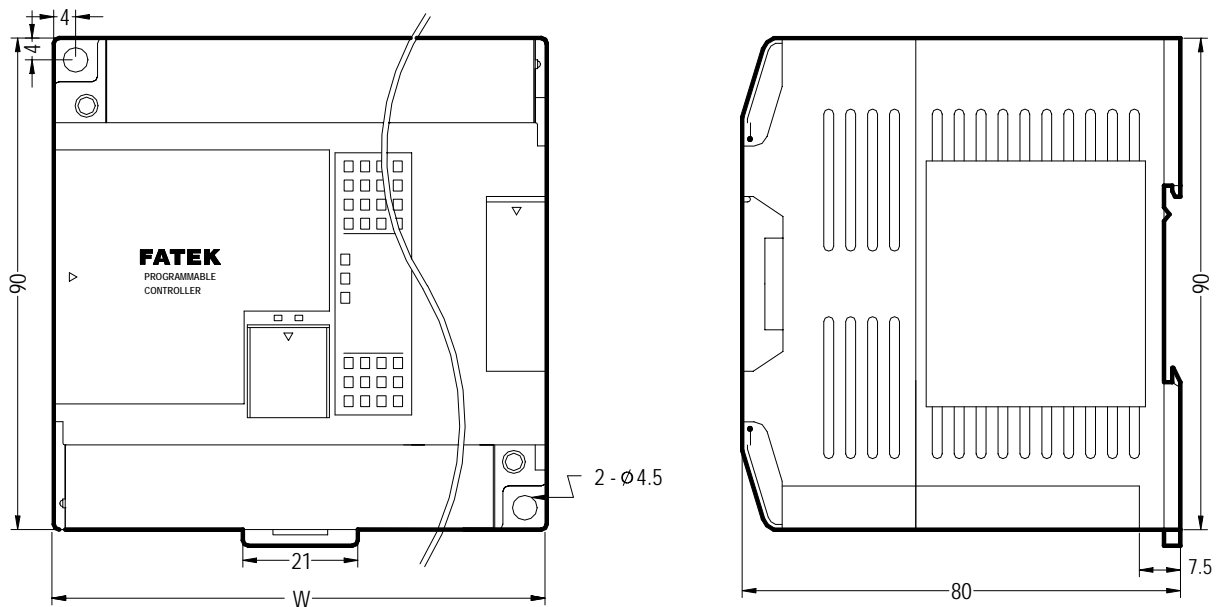


units : mm

### (2) Outlook II :

Main Unit : FBS-20M△, FBS-24M△, FBS-32M△, FBS-40M△, FBS-60M△

Expansion Module : FBS-24XY(⊙), FBS-40XY(⊙), FBS-60XY(⊙), FBS-16TC, FBS-16RTD



units : mm

W	Model
90mm	FBS-20M△, FBS-24M△, FBS-24XY(⊙), FBS-16TC, FBS-16RTD
130mm	FBS-32M△, FBS-40M△, FBS-40XY(⊙)
175mm	FBS-60M△, FBS-60XY(⊙)

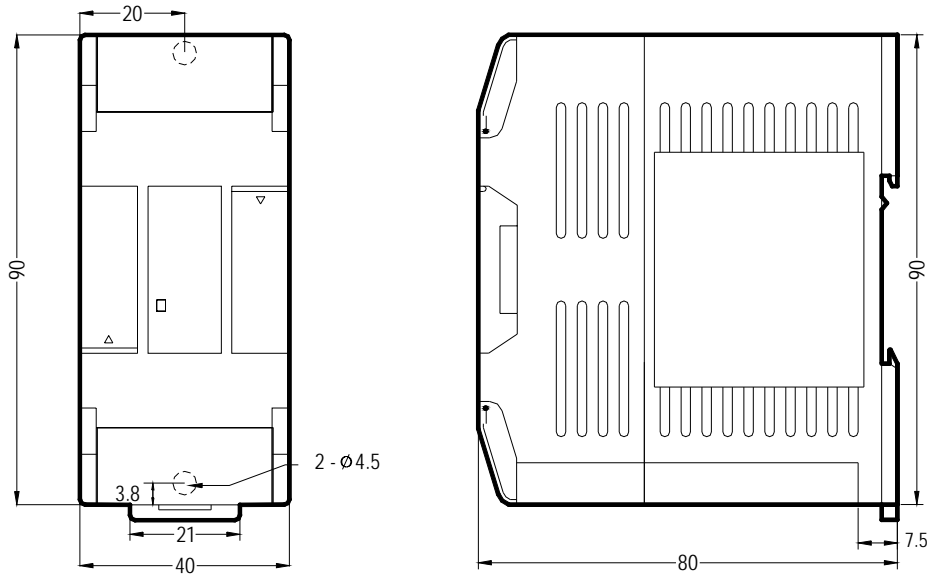


(3) Outlook III :

Expansion Module : ① FBS-8X, FBS-8Y, FBS-8XY, FBS-7SG1, FBS-7SG2, FBS-6AD, FBS-2DA, FBS-4DA, FBS-4A2D, FBS-2TC, FBS-6TC, FBS-6RTD, FBS-CM5H, FBS-2A4TC, FBS-2A4RTD, FBS-4PT, FBS-1LC, FBS-1HLC, FBS-6NTC, FBS-VOM

② FBS-24X, FBS-24YT, FBS-24YJ, FBS-32DGI

\* (Modules ① and ② have the same type of base, with different top cover. Top cover of Module ① is shown in the following figure)

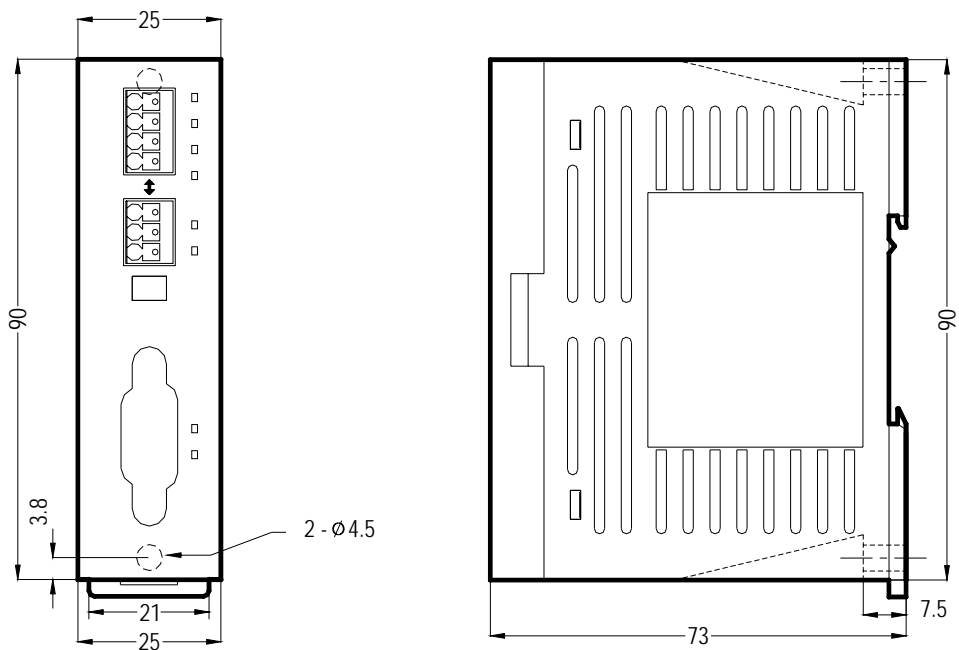


units : mm

(4) Outlook IV:

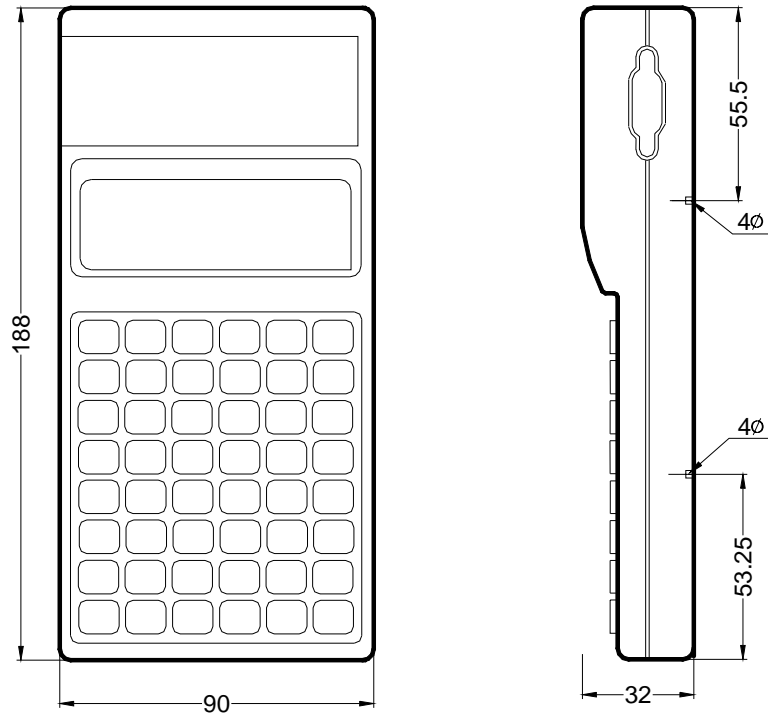
Communication Module : FBS-CM22, FBS-CM55, FBS-CM25, FBS-CM25E, FBS-CM55E, FBS-CM25C, FBS-CM5R

\* (All modules have the same type of base, with different top cover. Top cover of Module -CM25E is shown in the figure)



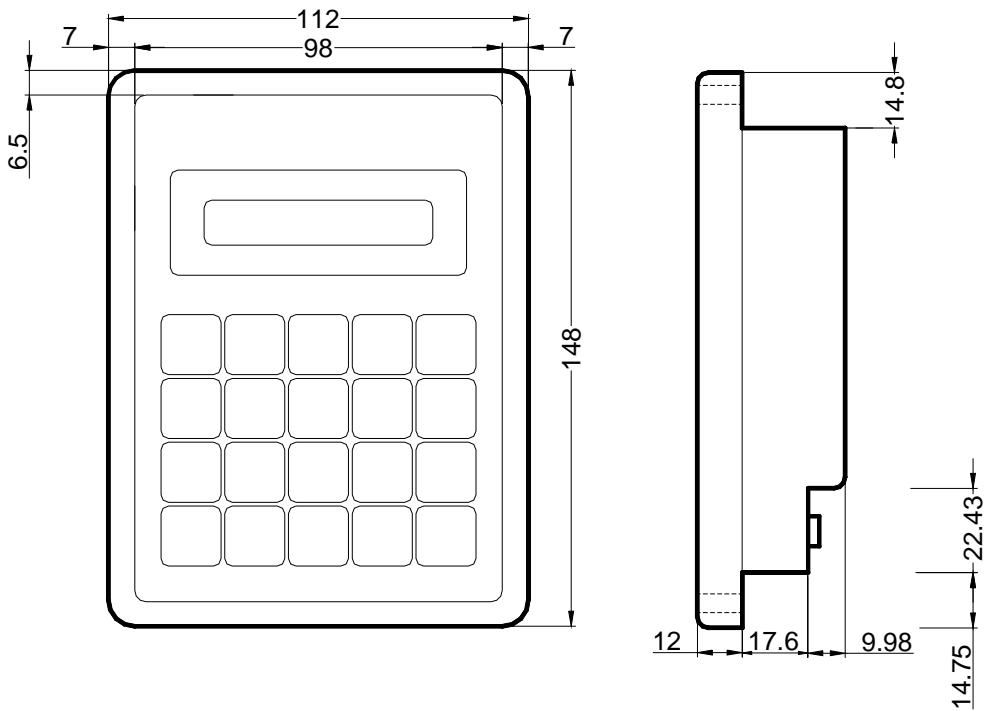
units : mm

- (5) Outlook V :  
 Programming Panel : FP-08



units : mm

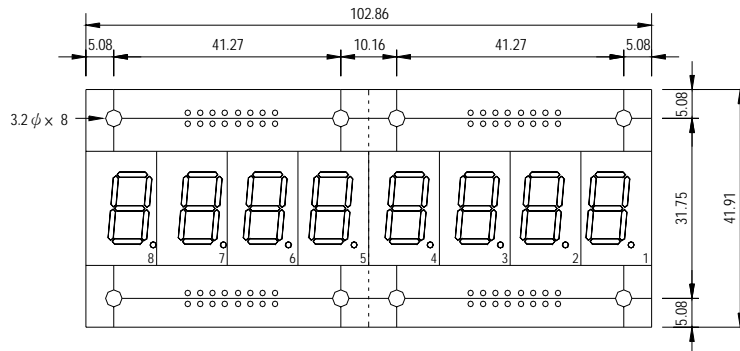
- (6) Outlook VI :  
 Data Access Panel : FB-DAP



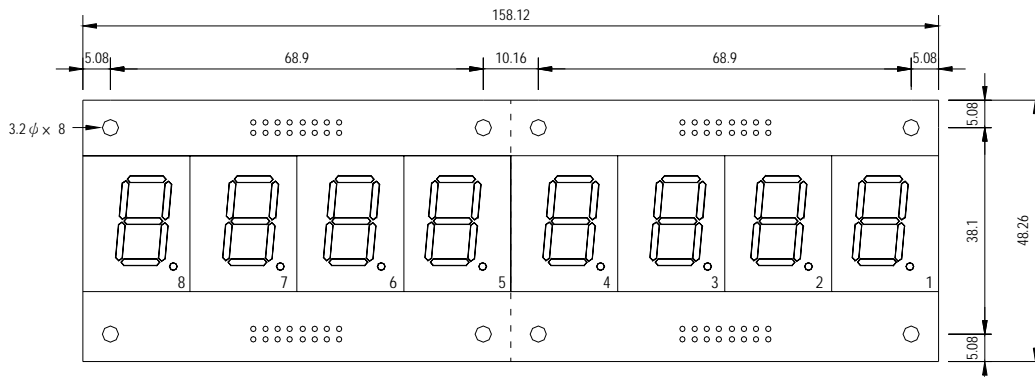
(7) Outlook VII :

7-segment / 16-segment LED display board :

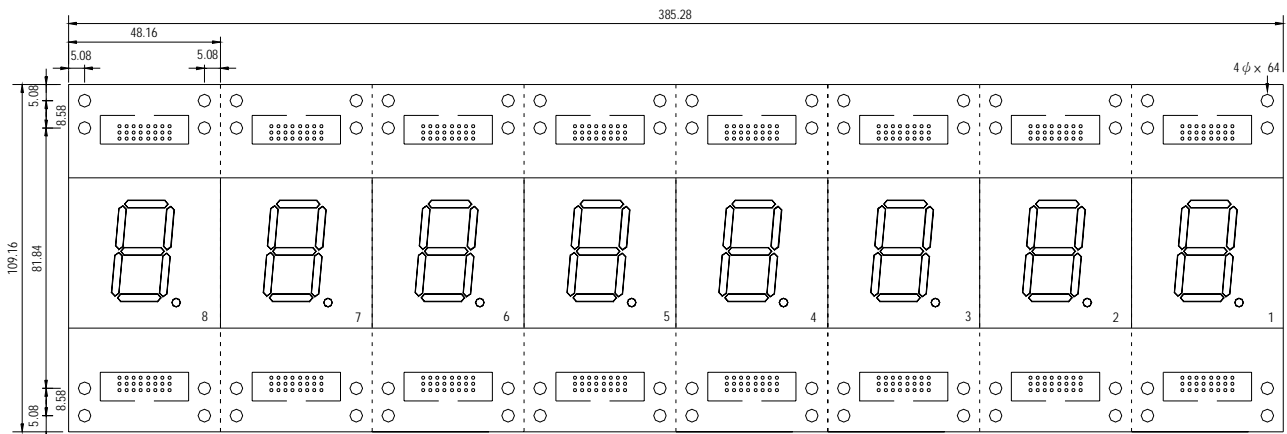
DB.56-8R/DB.8-8R/DB2.3-8R/DB4.0-4R/DBAN.8-4R/DBAN2.3-4R



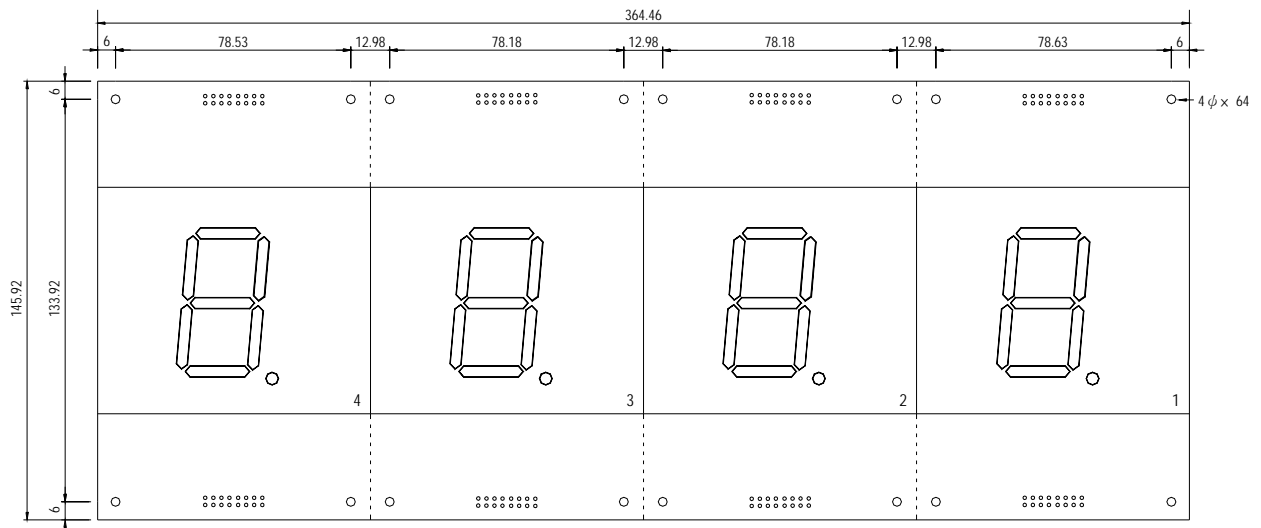
**DB.56-8R**



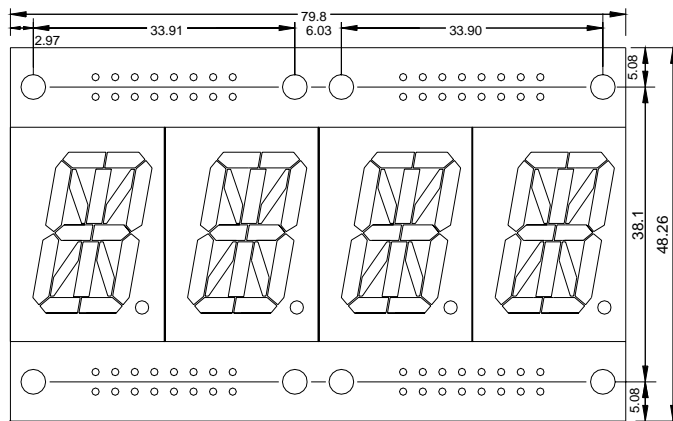
**DB.8-8R**



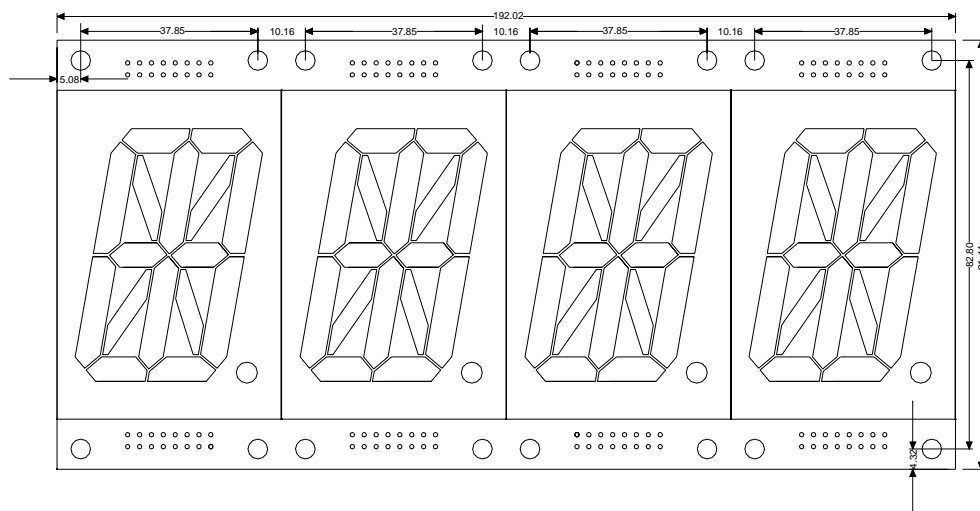
**DB2.3-8R**



**DB4.0-4R**



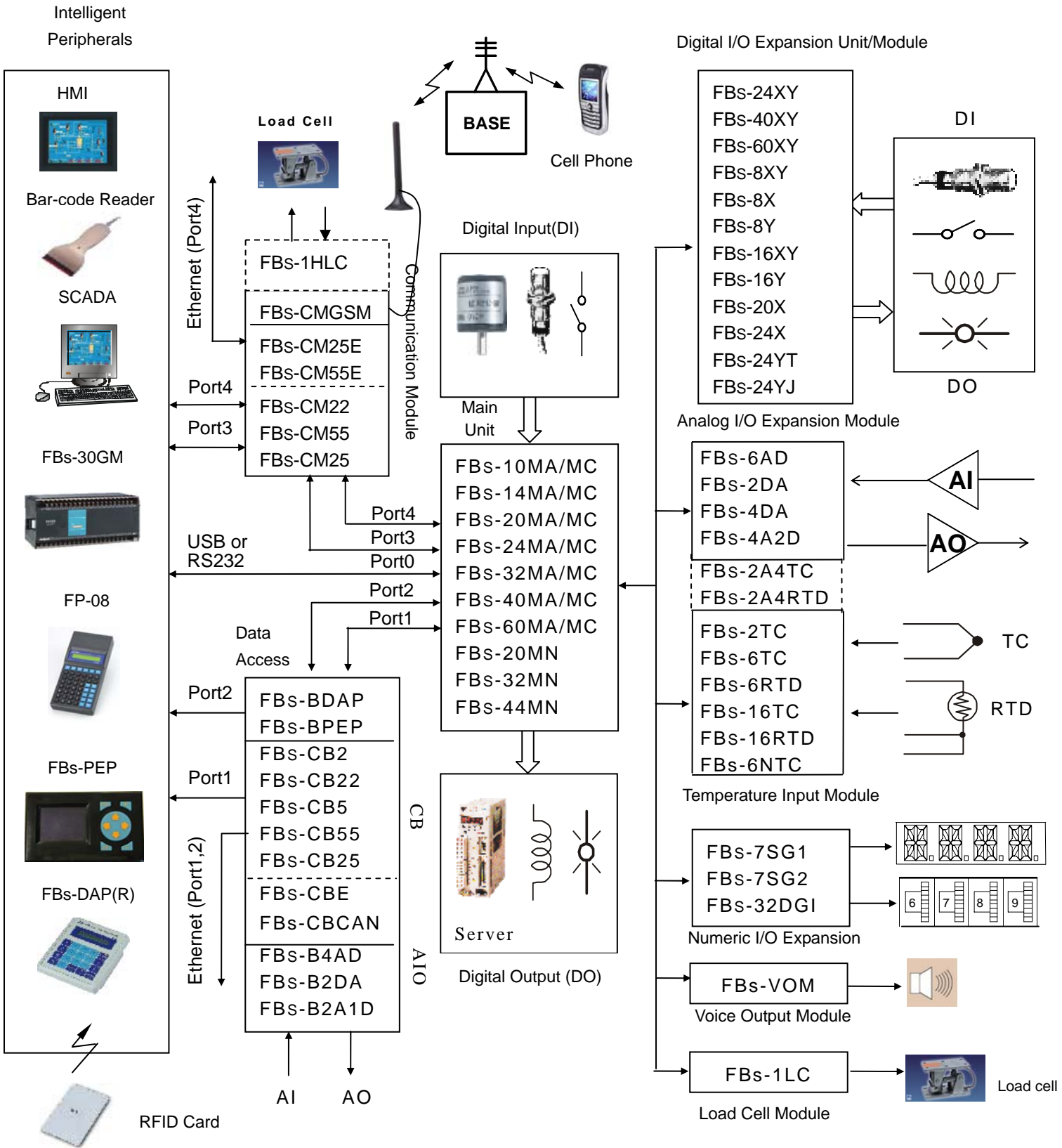
**DBAN.8-4R**



**DBAN2.3-4R**

# Chapter 2 System Configuration

## 2.1 Single-Unit System of FBS-PLC



The Single-Unit system means a system built only by a single FBs-PLC and its expansion unit/modules and communication boards/modules. Such system have a limited capability (refer), beyond that capability can incorporate CPU communication via LINK function for expansions (please refer to the next paragraph). The figure below shows the block diagram of the Single-Unit system of FBs-PLC, where, besides the available main units , the available communication peripherals resources and I/O expansion resources are depict on the left and the right respectively.

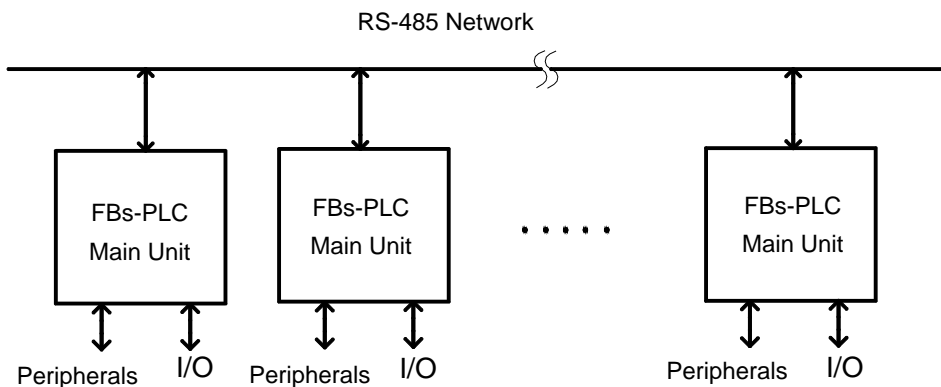
For the I/O of FBs-PLC, it can achieve a maximum of 256 point digital input (DI), 256 point digital output (DO), 64 word numeric input (NI), and 64 word numeric output (NO). Combined with various special interface modules, it can directly connect with devices such as Thermocouple, RTD, 7-segment LED display, and the Thumbwheel switch, which are shown on the right in the above figure.

Regarding communication resources, the FBs-PLC hardware can accommodate up to 5 communication ports (with a maximum speed of 921.6Kbps). In addition to providing the standard FATEK communication protocol, it also supports the Modbus master/slave protocol or any user-defined protocol. This functionality easily renders the connections with intelligent peripherals such as electronic scale, bar code reader, and various meters and gauges.

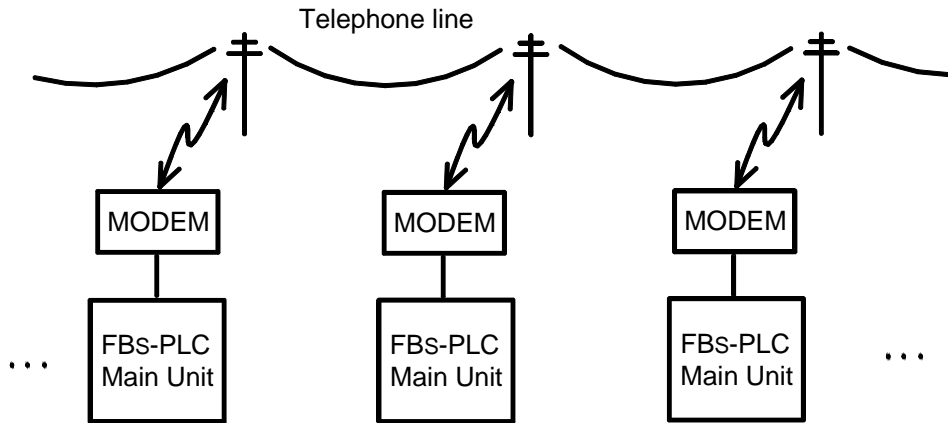
## 2.2 Formation of Multi-Unit System

By connections through communication ports and specific communication drivers, multiple Single-Unit PLC systems can be integrated to achieve resources sharing among multiple PLC or PLCs and its host computer. It is described as follows:

### 2.2.1 Connection of Multiple FBs-PLC (CPU Link)



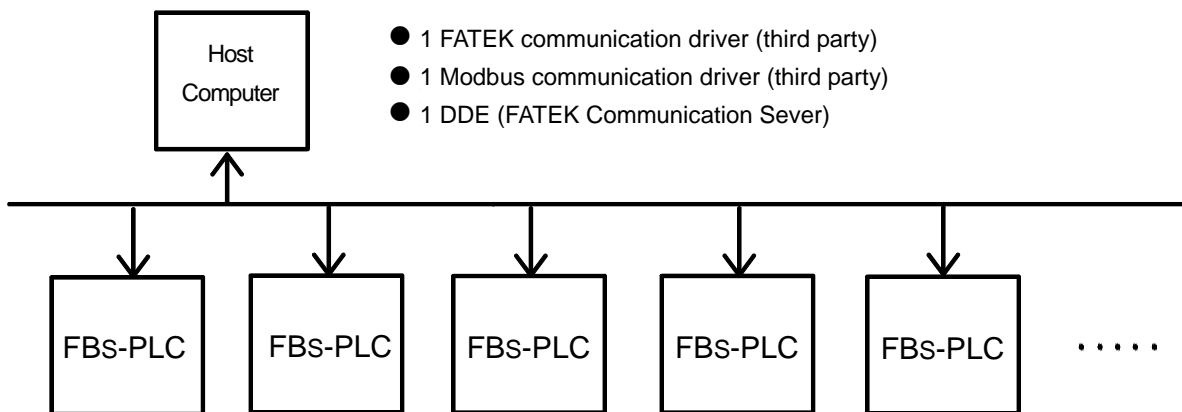
As shown in the figure, through the usage of high-speed RS-485 network, can easily establish the connections of 2~254 main units (each PLC with its own station number). All need to do is to write and execute CPU Link commands in one of the main units, which makes it the Master of the CPU Link network. No other command is necessary for other Slave units. The Master CPU will automatically collect the information or data in the specific areas of all units (including the Master) and put it into the Common Data areas(CDM) of all units. Thus all the units connected by network can share the data for each other and turning the finite Single-Unit system with limited I/O into a huge system.



Besides the above area network connection, FBS-PLC can also be connected using MODEM via the phone line (either leased line or public phone line) to form remote multiple PLC Link. (When using a public phone line, the Master PLC will perform consecutive dialing for all its Slave PLC.)

### 2.2.2 Connection of FBS-PLC with Host Computer or Intelligent Peripherals

Any one of the five communication ports on FBS-PLC can be used to connect to an upper-level computer or other systems, with this architecture, the FBS-PLC is playing the Slave role. FBS-PLC supports the FATEK and Modbus protocol. Connection can be established as long as the upper-level computer or intelligent peripherals use either one of the two protocols. In the application, in which driver for FATEK or Modbus is not available, FATEK also provide standard DDE communication server, which enables FBS-PLC to connect with any computer system supporting DDE. The following is the block diagram.



## Chapter 3 Expansion of FBS-PLC

If the I/O point of the Main unit of the applied FBS-PLC is not enough for a specific application, then can expand it with the additional expansion units/modules. Besides I/O point there also have the requirements to expand the communication port in some occasions.

### 3.1 I/O Expansion

The expansion of FBS-PLC I/O consists of Digital I/O ( DI/O, which status is represented by a single bit) and the Numeric I/O ( NI/O , which status is represented by a 16-bit Word). Either the DI/O or the NI/O expansion is realized through expansion units or modules cascaded thru the usage of the “I/O Output Expansion Connector” located at the right side of FBS-PLC or expansion unit/ module.

The I/O points of FBS-PLC system are limited to 512 points of DI/O (256 points for DI and DO, respectively), 128 words of NI/O (64 words for NI and NO, respectively). Besides this there are two limits imposed by hardware: ①. A maximum number of 32 units or modules can be used in the expansion. ②. The total length of the expansion cables cannot exceed 5 meters.

#### Caution

1. If the I/O points of the application system exceed one of the limitations(256 DI,256 DO,64 NI, 64 NO), while startup the main unit of FBS-PLC will treat this as an illegal I/O configuration, which in return will flag as an error situation by turn on the “ERR” LED and put the error code in Y0~Y3 LED(refer the page 8-2, Chapter 8). The corresponding error code will also be indicated in the CPU status register (R4049).
2. The maximum number of expansion units/modules of FBS-PLC is 32. Beyond this numbers will be treated as an invalid I/O configuration and the main unit will stop its operation, which in return will flag as an error situation by turn on the “ERR” LED and put the error code in Y0~Y3 LED(refer the page 8-2, Chapter 8). The corresponding error code will also be indicated in the CPU status register (R4049).

#### Warning

1. The maximum length of the I/O expansion cable for FBS-PLC is 5 meters. Cables longer than that will cause incorrect I/O operation because of excess signal delay in hardware or noise pickup, resulting in damage to equipment or posing hazard to operating personnel. Since this kind of situation cannot be detected by the PLC main unit, users are advised to take extra cautions and necessary measures.

#### 3.1.1 Digital I/O Expansion and I/O Numbering

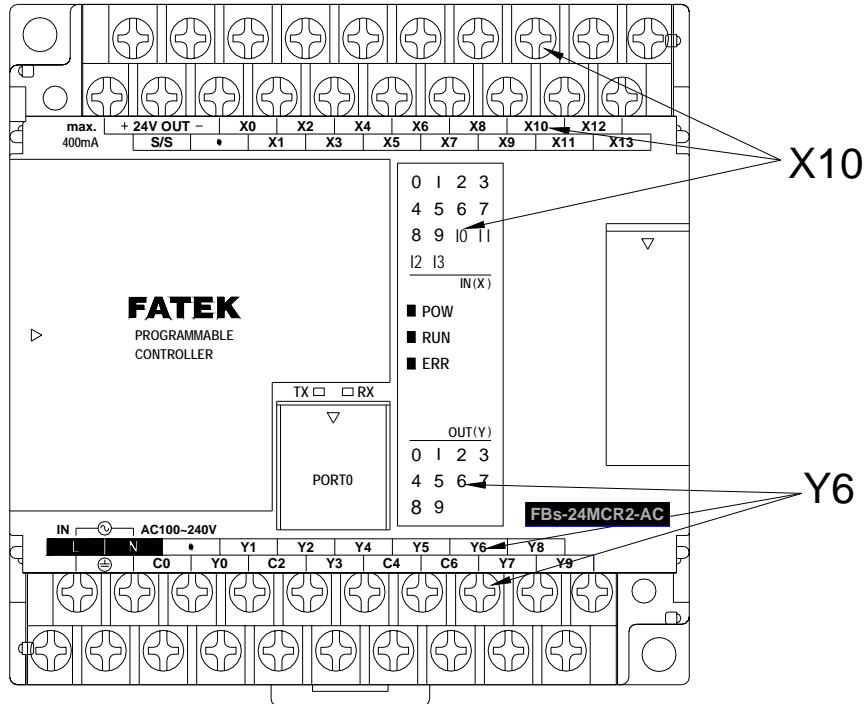
Digital I/O means I/O with the discrete type status, including digital input (with initial X in DI numbering) and digital output (with initial with Y in DO numbering). The DI and DO of FBS-PLC can both be expanded up to 256 points (numbered as X0~X255 and Y0~Y255, each with 256 points).

The status of input contacts (X0~X255) of PLC come from the input signal connected to the digital input terminal block on main unit or expansion unit/module; while the status appears at digital output terminal block of main unit and expansion unit/module reflects the digital output relay (Y0~Y255) status inside PLC.

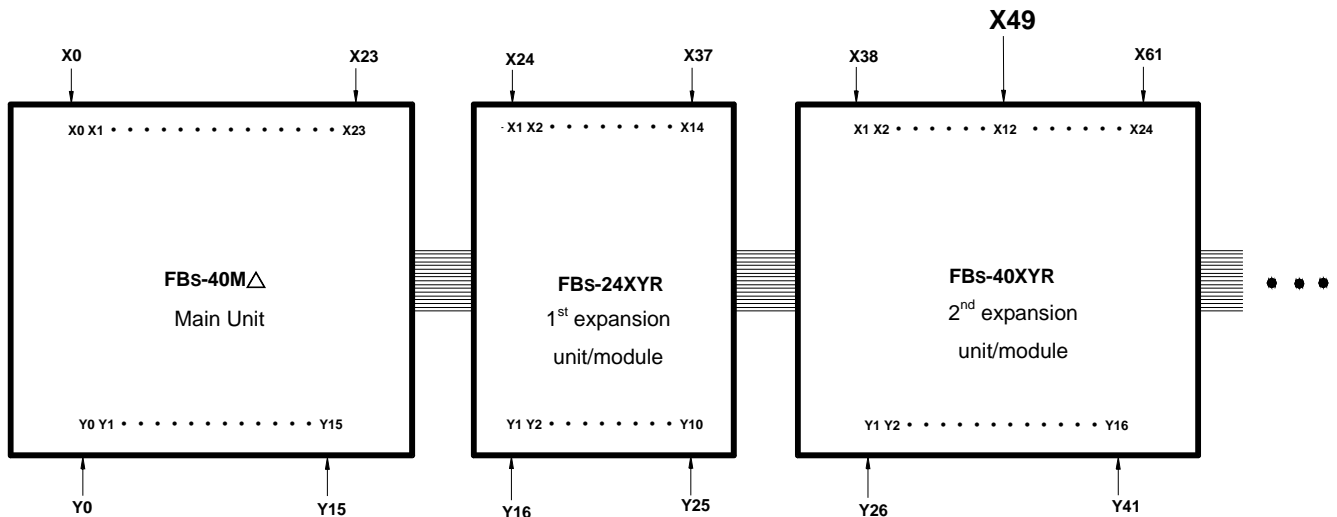
On FBS-PLC main unit, at the position below the digital input terminal block and the position above the output terminal block, there have labels indicate the corresponding signal name. They label each terminal with numbers representing the corresponding digital input contact Xn and digital output relay Yn. In the example of the main unit in FBS-24MCR, the corresponding digital input contacts on the input terminal block are labeled X0~13, and the corresponding digital output relays on the output terminal block Y0~Y9. Users only need to locate the printed label for each terminal to find out its I/O number. The LED status display region also indicates the ON/OFF status for all DI(X0~X13) and DO(Y0~Y9)



on the main unit. Users can easily find each terminal with its I/O number and LED status indication, as shown in the figure below using X10 and Y6 as an example:



While the various expansion units/modules other than the main units have the same printed labels on the input/output terminals as the main units do, these labels are only relative I/O numbers, different from the absolute I/O numbers on main units. The number of a terminal only represents its order on the expansion unit/module. For example, the first contact is X1 or Y1, the second X2 or Y2, etc. All numbers on the expansion unit/module begin with 1. The actual number of digital input contact or the output relay, however, is determined by summing the numbers on all previous expansion units/modules and the main unit. See the following figure and its calculation.



As shown in the above figure, because the top X numbers of the previous two units are 23 and 14, respectively, the number of input contact X12 on second expansion unit should be:

$$X (23+14+12) = X49$$

### 3.1.2 Numeric I/O Expansion and I/O Channel Mapping

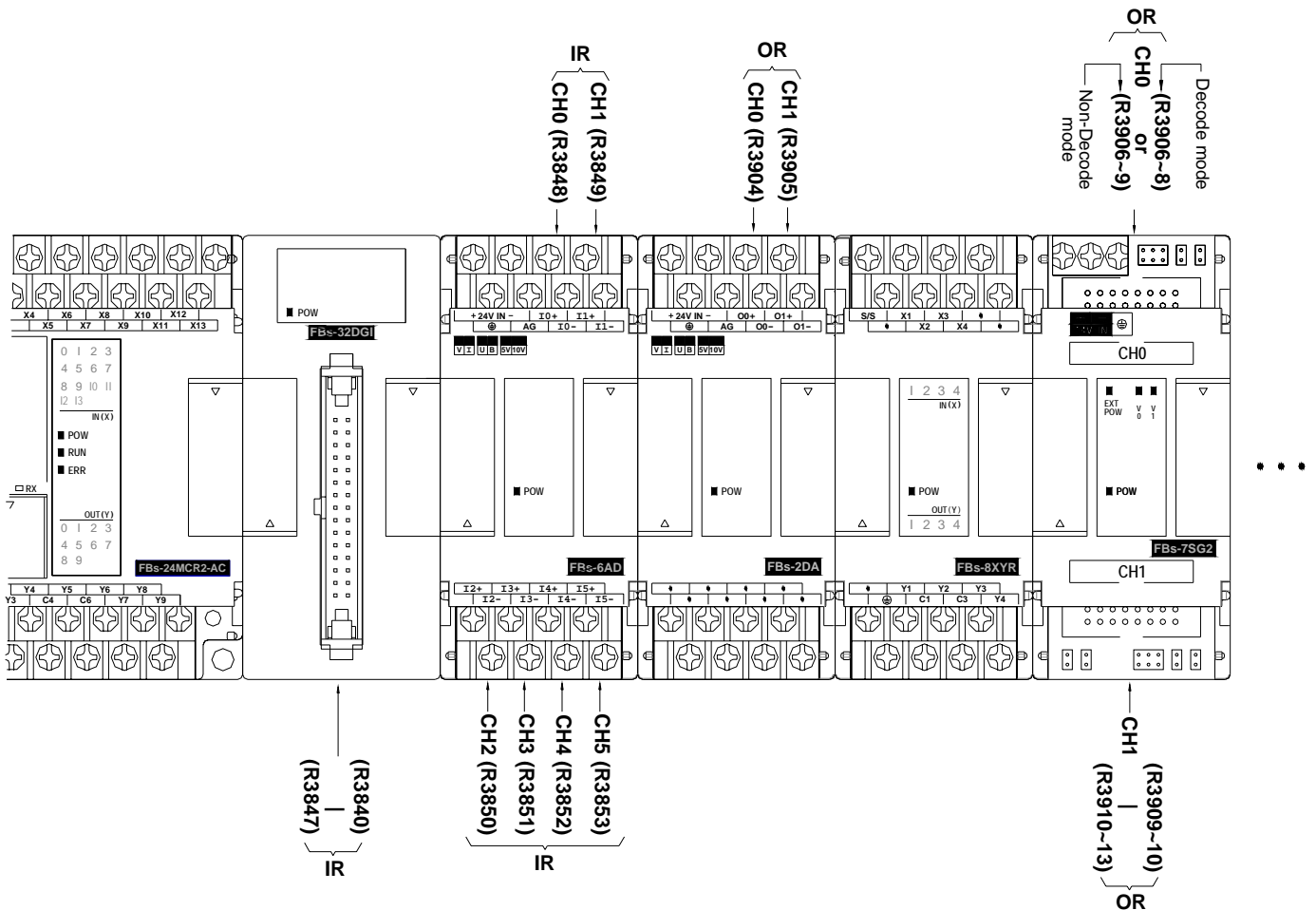
The numeric I/O in FBs-PLC treat 16 single-bit data as one 16-bit numeric data (Word) ranging from the 0~65535. Since all numeric data of FBs-PLC are stored in the register inside PLC (16-bit width), therefore numeric I/O is also called register I/O. The Input Register (IR) has 64 Word (R3840 ~ R3903) for inputs from external numeric input (NI) module, and the Output Register (OR) also has 64 Word (R3904 ~ R3967) for outputs to external numeric output (NO) module.

Analog Input Module, Temperature Module, and Thumbwheel switch multiplex input module are of Numeric input (NI) modules which use input register (IR) to convey the status. Analog Output Module, 7 Segments Display Module are of Numeric output (NO) modules which output is directly from the Output register (OR). The Analog Input, Temperature Input, and Analog Output is of analog voltage or current, while the Thumbwheel switch Input or 7 Segments Display Output uses user-friendly BCD number signal. Either the magnitude of voltage or current or the value of BCD number is represented by the 16-bit value of the corresponding register. The corresponding current/voltage signal or BCD value of any IR or OR on the NI/O module is named as a Channel (CH). The channels on the NI module are called numeric input channels (NI channels) and those on NO module numeric output channels (NO channels). The number of IR/OR used by NI and NO channels on each module varies depending on the module type or working mode. The following table lists the numbers of IR and OR used by NI and NO channels on each NI/O module:

NI/O Module Name	NI Channel Label	NO Channel Label	Number of IR occupied (Word)	Number of OR occupied (Word)	Note	
FBs-6AD	CH0		1			
	CH1		1			
	CH2		1			
	CH3		1			
	CH4		1			
	CH5		1			
FBs-2DA		CH0		1		
		CH1		1		
FBs-4DA		CH0		1		
		CH1		1		
		CH2		1		
		CH3		1		
FBs-4A2D	CH0		1			
	CH1		1			
	CH2		1			
	CH3		1			
			CH0			1
			CH1			1
FBs-B4AD	VI0(V)		1		The voltage and current inputs can't be used at the same time in the same channel. It only one (V or I) available.	
	II0(I)					
	VI1(V)		1			
	II1(I)					
	VI2(V)		1			
	II2(I)		1			
	VI3(V)					
	II3(I)					
FBs-B2DA		VO0(V)		1	Both voltage and current will be outputted at the same time.	
		IO0(I)				
		VO1(V)		1		
		IO1(I)				

FBs-B2A1D	VI0(V)			1	The voltage and current inputs can't be used at the same time in the same channel. It only one (V or I) available.	
	II0(I)					
	VI1(V)					
	II1(I)		1			
		VO0(V)		1	Both voltage and current will be outputted at the same time.	
		IO0(I)				
FBs-32DGI	Unlabeled			8	1 CH only	
FBs-7SG1			CH0		3(D) 4(ND)	D : decode mode ND : non-decode mode
FBs-7SG2			CH0		3(D) 4(ND)	
			CH1		2(D) 4(ND)	
FBs-2TC	CH0			1	1 CH only	
CH1						
FBs-6TC/6RTD	CH0~CH5			1	1 CH only	
FBs-16TC/16RTD	CH0~CH15			1	1 CH only	
FBs-2A4TC	2A	CH0		1		
		CH1		1		
	4TC	CH0		2		
		CH1				
		CH2				
		CH3				
FBs-2A4RTD	2A	CH0		1		
		CH1		1		
	4TC	CH0		2		
		CH1				
		CH2				
		CH3				
FBs-6NTC	CH0~CH5			1		
FBs-1LC	CH0			1		
FBs-4PT	CH0			1		
	CH1			1		
	CH2			1		
	CH3			1		
						1

The corresponding IR or OR number calculation of the NI/O module starts from the first expansion unit/module(main unit itself does not have any NI/O). The first NI channel corresponds to the first IR register (R3840). Adding R3840 with the number of IR used by the first NI channel gives the IR number of the second NI channel. Adding the IR number of the second NI channel with the number of IR used by the second NI channel gives the IR number of the third NI channel. All other numbers can be obtained accordingly. Similarly, the first NO channel corresponds to the first OR (R3904). Adding R3904 with the number of OR used by the first NO channel gives the OR number of the second NO channel. (In the cumulative calculation of NI channels, care only for NI channels and disregard DI/O and NI. Similarly, in the case of NO channels, disregard DI/O and NI channels.) The following figure helps users find out the relation between NI/O channels and PLC's IR and OR.



During the startup stage, FBs-PLC will automatically detect the types and CH numbers of expansion units/modules. While operation, the FBs-PLC will read the CH input values from the NI module and stores them into corresponding IR(R3804 ~ R3903) and outputs OR values (R3904~R3967) to channels on the NO module. No pre-configuration or setting by users is required.

### 3.2 Expansion of Communication Port

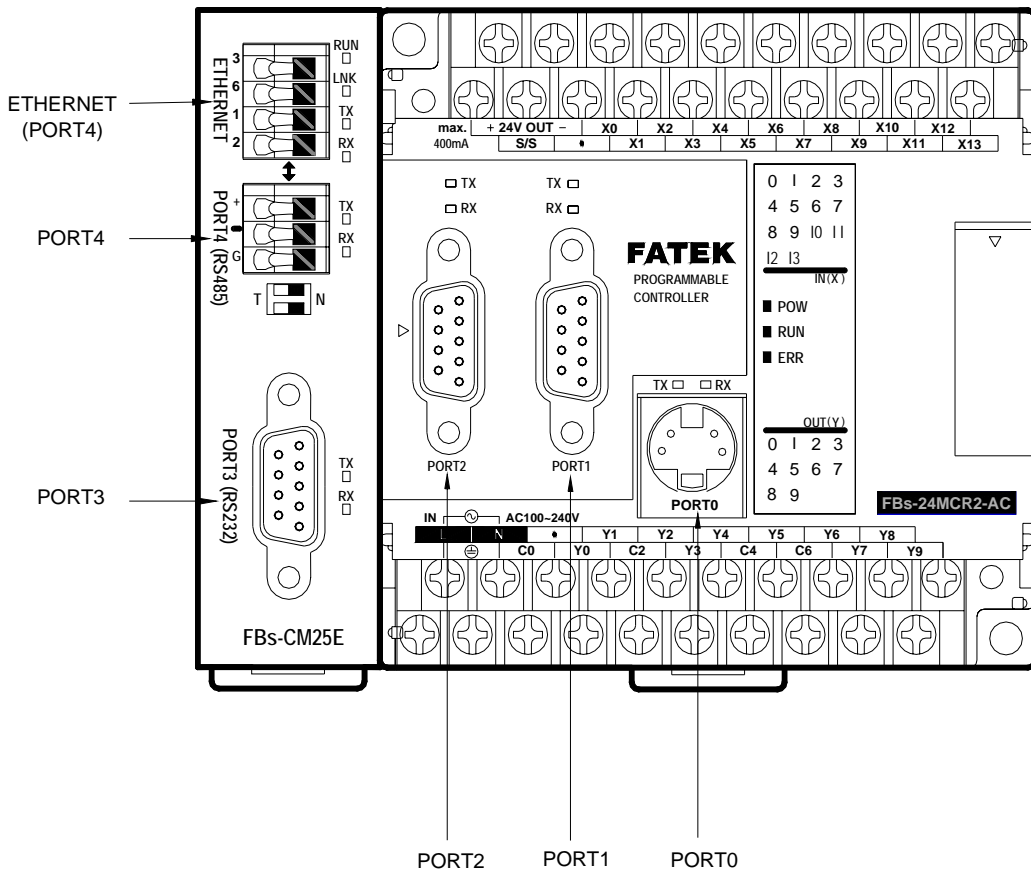
The main unit of FBs-PLC has one built-in communication port (port 0, with optional USB or RS232 interface). Expansion of communication ports can be achieved by employing Communication Board (CB) or Communication Module (CM). The available models of CB and CM for FBs are :

	Model Number	Specifications
<b>Communication Board (CB)</b>	FBs-CB2	1 RS232 (port2) communication board
	FBs-CB22	2 RS232 (port1 & port2) communication boards
	FBs-CB5	1 RS485 (port2) communication board
	FBs-CB55	2 RS485 (port1 & port2) communication boards
	FBs-CB25	1 RS232 (port1) + 1 RS485 (port2) communication board
	FBs-CBE	1 Ethernet communication board
	FBs-CBCAN	1 CANopen® communication board

Communication Module (CM)	FBs-CM22	2 RS232 (port3 & port4) communication modules
	FBs-CM55	2 RS485 (port3 & port4) communication modules
	FBs-CM25	1 RS232 (port3) + 1 RS485 (port4) communication expansion module
	FBs-CM25E	1 RS232 (port3) + 1 RS485 (port4) communication module with Ethernet
	FBs-CM55E	1 RS485 (port3) + 1 RS485 (port4) communication module with Ethernet

Communication boards, which can be directly installed on FBs main units, are employed for expansion of communication ports port1 and port2. Communication modules are independent modules used for the expansion of communication ports port3 and port4 and need to be mounted against the left side of FBs main unit and connected to the main unit via a 14pin connector. The labels of communication ports are marked on the cover plate of communication boards and modules, from which users can easily identify each port. Except that the built-in communication port (Port0) can only be used for USB or RS 232 interface, all the other ports (Port 1~4) can be used for RS232 or RS 485 interface in CB and CM. The following figure shows an example of expansion of 5 (maximum allowed number) communication ports (CB22+CM25E):

The most expansion of communication port diagram



# Chapter 4 Installation Guide

**⚠ Danger**

1. Turn off all power during installation of FBS-PLC or related equipments to prevent electric shock or damage to equipment.
2. Upon completion of all installation wiring, put the protective cover back on the terminal block before turning on the power to avoid electrical shock.
3. During installation, never remove the dust cover sheet that were surrounded the PLC before wiring is completed to avoid complications such as fire hazards, breakdown, or malfunction caused by drill dust or wire shreds falling inside PLC.
4. Upon completion of installation and wiring, remember to remove the dust cover sheet to avoid fire, breakdown or malfunction, caused by overheating.

## 4.1 Installation Environment

**⚠ Caution**

1. Environmental specifications of FBS-PLC cannot exceed those listed in this manual. In addition, do not operate this equipment in environments with oil smoke, conductive dust, high temperatures, high humidity, corrosion gases, inflammable gases, rain or condensation, and high vibrations and shock.
2. This product has to be housed appropriately whether it's used in a system or standalone. The choice and installation of housing must comply with local national standards.

## 4.2 PLC Installation Precautions

To avoid interference, the PLC should be installed to keep from noise sources such as high-voltage or high-current lines and high power switches. Other precautions are:

### 4.2.1 Placement of PLC

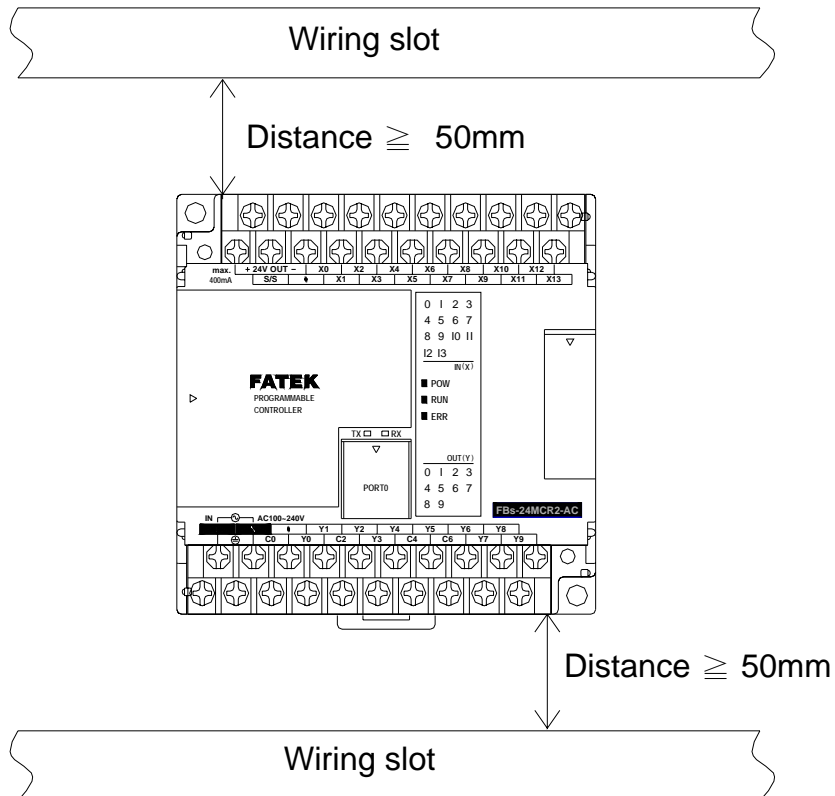
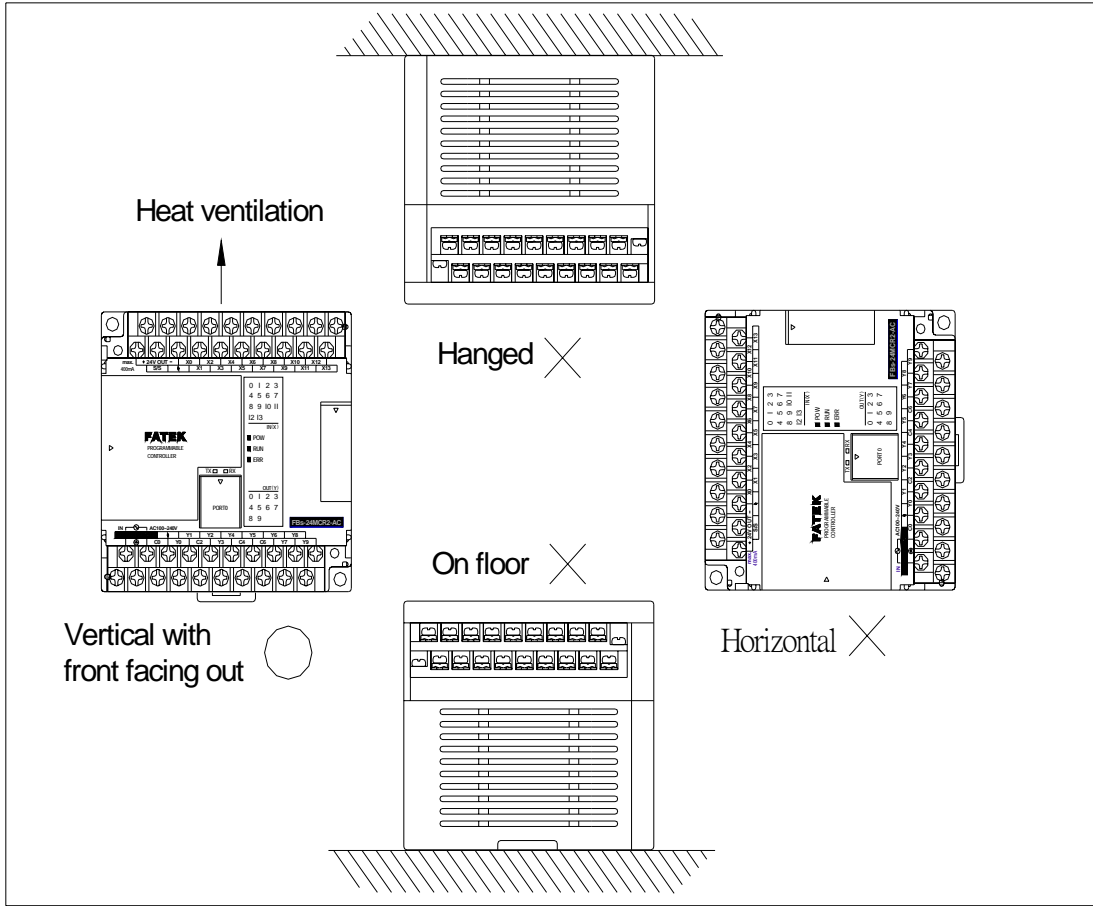
Fixation of FBS-PLC, which can be fixed by DIN RAIL or screws, should place vertically and start from the main unit on the left to the expansion unit on the right. A typical figure of placement is shown below:



Suggested arrangement multiple unit expansion

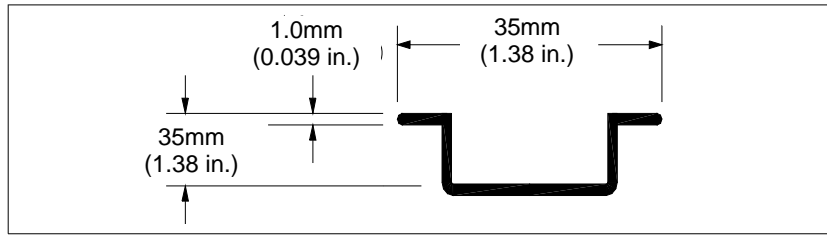
#### 4.2.2 Ventilation Space

The heat in FBS-PLC is ventilated via air circulation. There should reserve more than 20mm space, both below and above PLC, and with vertical installation, for ventilation. as shown in the figure below:

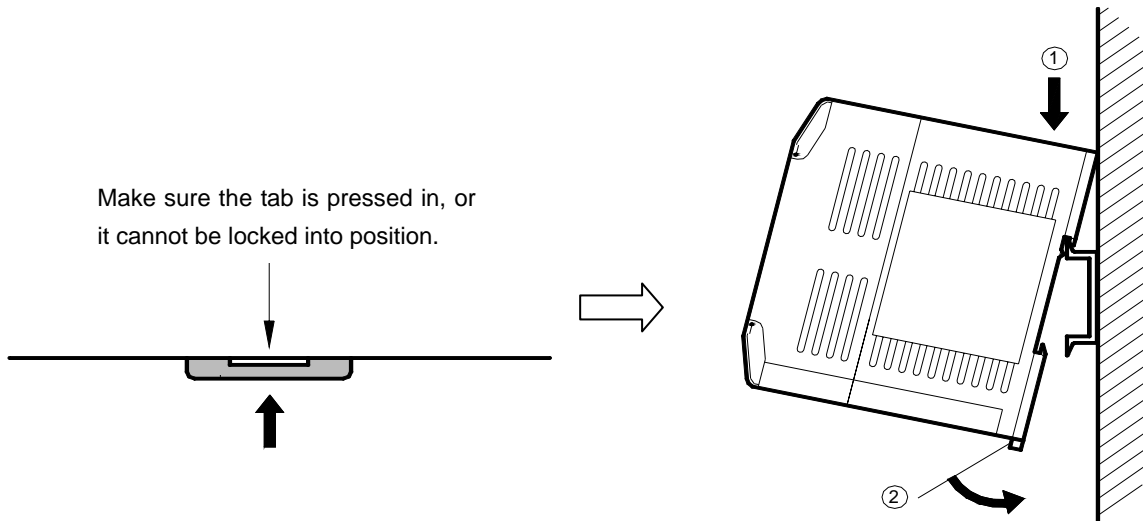


### 4.3 Fixation by DIN RAIL

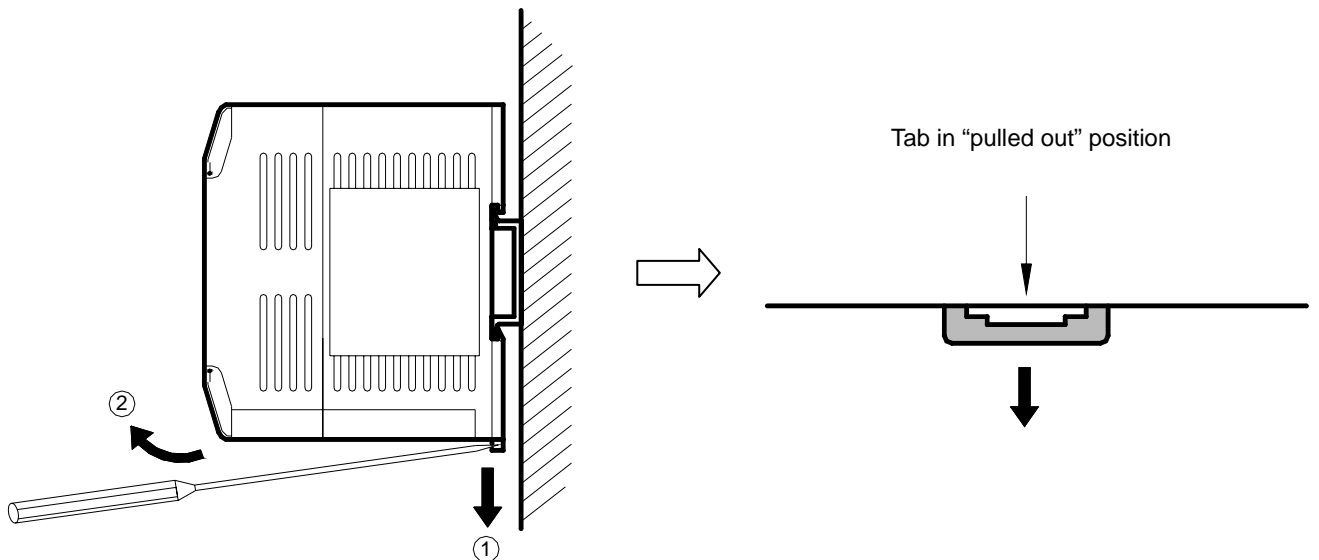
In an environment with slight vibration (less than 0.5G), this is the most convenient way of fixation and is easy for maintenance. Please use DIN EN50022 DIN RAIL, as shown in the figure below.



**Mount** ⇒ Hold PLC facing its front, press it down with a 15 degree tilt onto the DIN RAIL. Swing it down until the upper edge of DIN RAIL groove on PLC back touches the upper tab of DIN RAIL. Then use this locked-in point as a pivot to press the PLC forward on the bottom and lock it in position. The procedure is illustrated below:



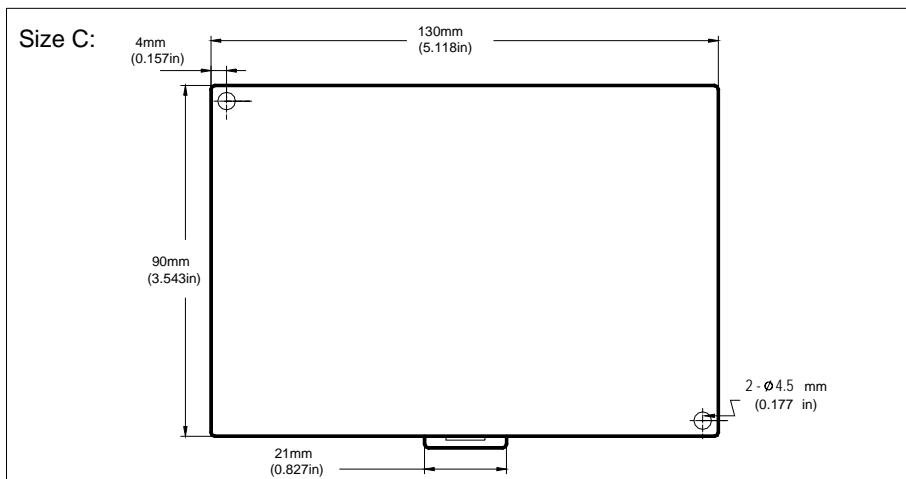
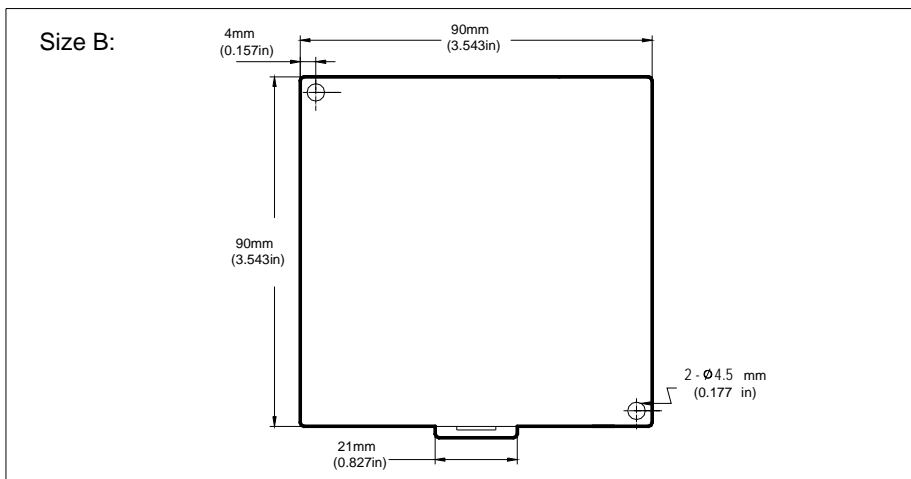
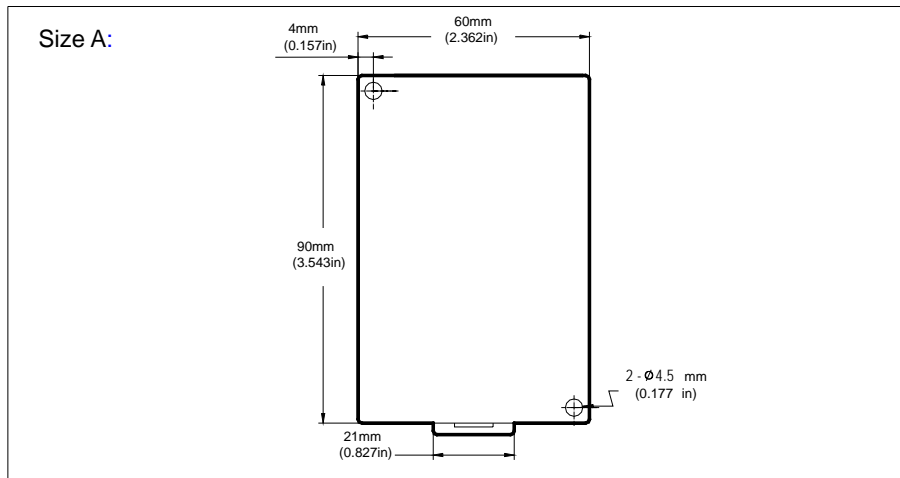
**Dismount** ⇒ Use a long screwdriver to reach in the hole on the DIN RAIL tab. Pull out the tab to "pulled out" position to remove PLC, as shown in the figure below.

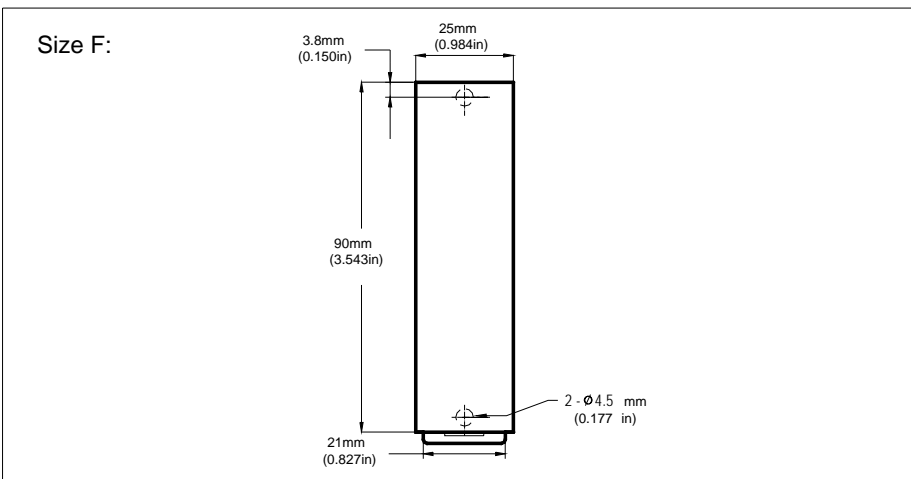
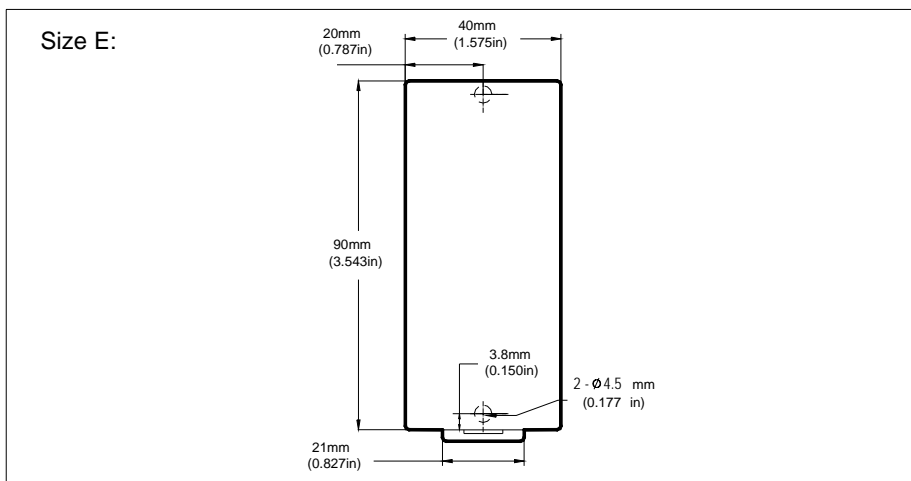
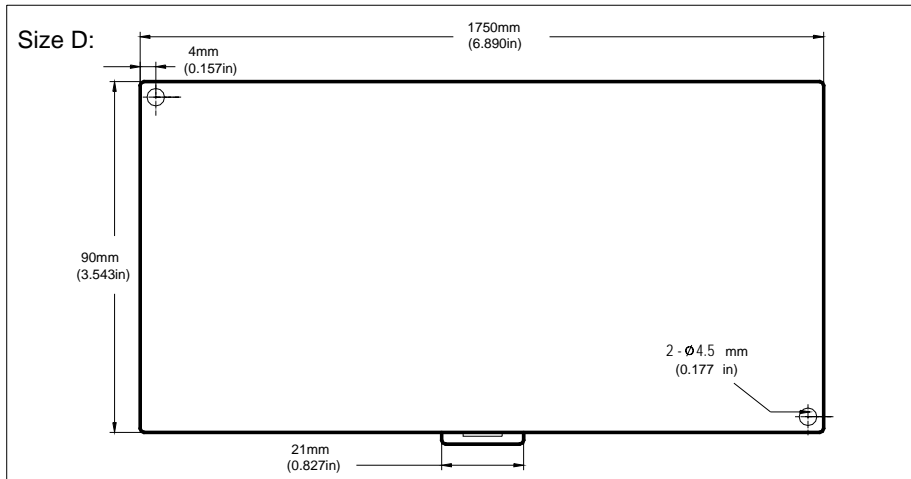




## 4.4 Fixation by Screws

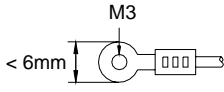
In environments with larger vibration (more than 0.5G), the unit must be secured by M3 or M4 screws. Positions and sizes of screw holes in various models of FBS-PLC are illustrated in the following:





## 4.5 Precautions on Construction and Wiring

1. During the wiring of FBS-PLC, please follow local national standards or regulations for installation
2. Please choose the wires with proper wire gauge for I/O wiring according to the current loads.
3. Shorter wires are preferred. It is advised that the length of I/O wiring does not exceed 100m (10m for high-speed input).
4. Input wiring should be separated from output or power wiring (at least 30~50mm apart). In case separation is not possible, adopt vertical crossing, no parallel wiring is allow.
5. The pitch of FBS-PLC terminal block is 7.62mm. The torque for screw and suggested terminal is shown below:

<p>7.62 mm terminal block</p>		<p>torque: 6~8kg-cm 5.2~6.9 In/lbs</p>
-----------------------------------	--	--

# Chapter 5 Power Supply Wiring, Power Consumption Calculation, and Power Sequence Requirements

FBS-PLC internally has three kinds of circuit: a 5VDC logic circuit, a 24VDC driver circuit (driver output devices, for example: relay, transistor, and etc), and a 24VDC input circuit. Only the 5VDC logic circuit and 24VDC output circuit are powered by the built-in power supply for main/expansion units or powered by expansion power supply modules (FBs-EPW-AC, FBs-EPW-D24), and the 24VDC input circuit can be choose to powered by the external power supply or the built-in power supply of main/expansion units or 24VDC sensor of FBs-EPW-AC/D12/D24. Expansion modules other than main/expansion units do not contain any power supply and are powered by the power supply inside the main/expansion units or expansion power supply (FBs-EPW-AC, FBs-EPW-D24). Main/expansion units or expansion power supply with their model numbers suffixed with “-D12/-D24” means is operated by DC power source. Otherwise, AC power source is used.

<b>Caution</b>
<p>In industrial environments, main power may irregularly experience a surge current or high voltage pulse caused by the start or shut down of high power equipment. Users are advised to take necessary measures (for example, the use of isolation transformer or other MOV suppression devices) for the protection of PLC and its peripherals.</p>

## 5.1 Specifications and Wiring of AC Power Sourced Power Supply

The available AC power supplies of FBS-PLC are the 14 Watt (SPW14-AC) supply for 10/14 PTs main unit, the 24 Watt (SPW24-AC) supply for 20~60PTs main/expansion unit, and the 14 Watt expansion supply (FBs-EPW-AC) for expansion modules. Except that the FBs-EPW-AC is an independent module, SPW14-AC and SPW24-AC are to be installed on a main unit or inside an expansion unit, where their appearances are invisible. The following table lists the specifications:

Spec		Model	SPW14-AC	SPW24-AC	FBs-EPW-AC
Item					
Input Range	Voltage	100 ~ 240VAC, -15% / +10%			
	Frequency	50 / 60HZ ±5%			
Max. Power Consumption		21W / 14W	36W / 24W	21W / 14W	
Inrush Current		20A@264VAC			
Allowable Power Interrupt		< 20ms			
Fuse Spec.		2A · 250V			
Isolation Type		Transformer/Photocouple Isolation, 1500VAC/minute			
Output Power*1	5VDC (logic circuit)	N/A*2	5V, ±5%, 1A(max)	5V, ±5%, 0.4A(max)	
	24VDC (output circuit)	24V±10%, 200mA(max)*3	24V, ±10%, 400mA(max)	24V, ±1%, 250mA(max)	
	24VDC (input circuit)	24V,±10%, 400mA(max)	24V, ±10%, 400mA(max)	24V, ±10%, 250mA(max)	

Note \*1 : The 5VDC (for logic circuit) output power and the 24VDC (for output circuit) power can be accessed from the “I/O expansion output header” located on the right side of the main/expansion units for expansion modules. And the 5VDC power is also used by communication board (CBxx) or communication module (CMxx). The 24VDC power for input circuits is provided from the farthest 2 upper left terminals (labeled “+24V OUT.”) on the input terminal block of main/expansion unit to input circuit in expansion module or other sensors.

Note \*2 : The 5VDC power of 10/14PTs main unit is generated from the 24VDC power in the output circuit, with specifications of 5VDC±10% and 400mA (max) (Circuit is located on the I/O board of 10/14PTs main unit).

Note \*3 : Without any I/O expansion interface, the 24VDC power in 10/14PTs main unit is for its output circuit alone and cannot be used for other purposes.

**⚠ Caution**

The schematic diagram of AC power supply wiring in main/expansion units is shown below. Also be cautious about the following:

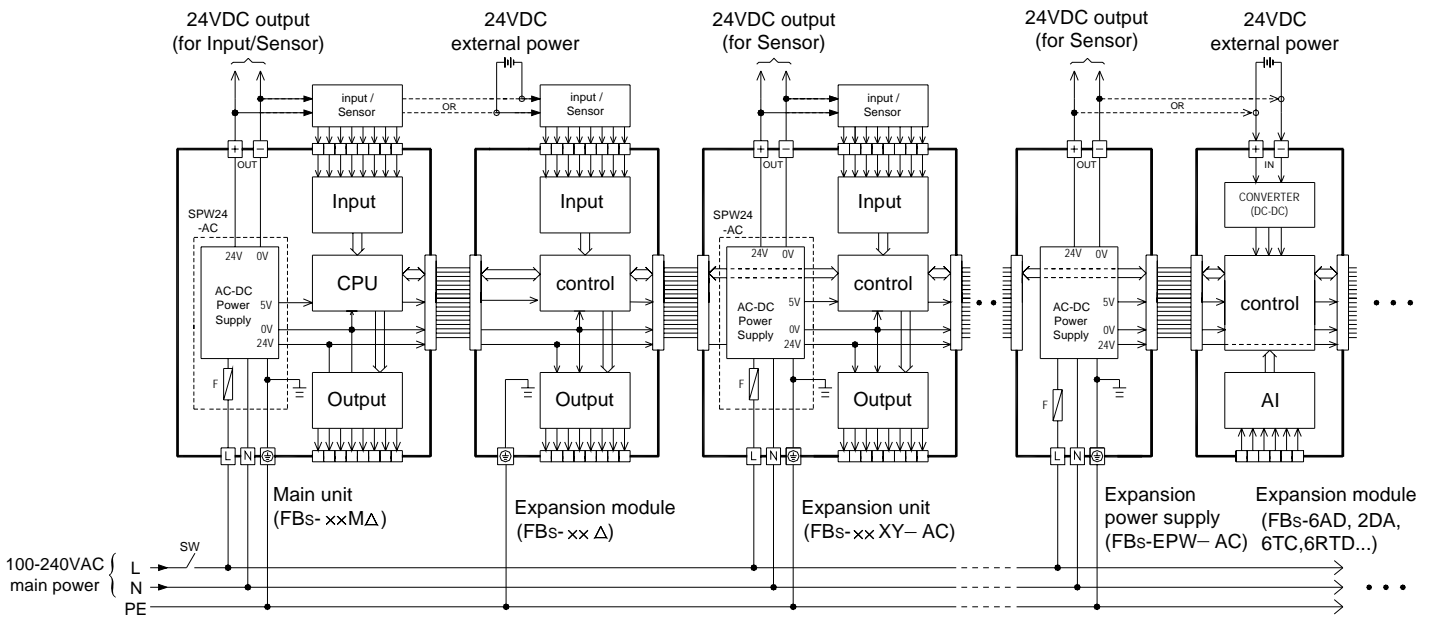
Please follow the wiring schemes regulated by local national standards to use single-pole switch (break hot wire "L"), or double-pole switch (break both "L" and "N"), to turn on or off the AC input power.

In wiring, hot wire "L" must be connected to the **L** terminal on unit, while the ground line "N" connected to the **N** terminal. Please use wires with diameters 1mm<sup>2</sup>~2mm<sup>2</sup>.

All **Ⓧ** terminals on main unit and expansion unit/module have to be connected to the EG (Earth Ground) terminal of main power system as shown in the figure below, with wire diameters larger than 2mm<sup>2</sup>.

**⚠ Warning**

Output of power for sensor cannot be connected in parallel with other powers, in which the conflict between two sets of power will decrease their lifetime or cause immediate damage. This will induce unexpected malfunction of PLC and cause serious or even deadly damage to people or equipment.



## 5.2 Specifications and Wiring of DC Power Sourced Power Supply

The available DC power sourced power supplies of FBS-PLC are the 14 Watt (SPW14-D12/D24) supply for 10/14PTs main unit, the 24 Watt (SPW24-D/12D24) supply for 20~60PTs main/expansion unit, and the 14 Watt expansion supply (FBS-EPW-D24) for expansion modules. Besides the FBS-EPW-D24 is an independent module, SPW14-D12/D24 and SPW24-D12/D24 are to be installed on a main unit or inside an expansion unit, where their appearances are invisible. The following table lists the specifications:

Spec. Item	Model	SPW14-D12/D24	SPW24-D12/D24	FBs-EPW-D24
	Rated Voltage		12 or 24VAC, -15%/+20%	
Max. Power Consumption		21W / 14W	26W / 24W	21W / 14W
Inrush Current		20A @ 12 or 24VDC		20A@24VDC
Allowable Power Interrupt		<20ms		
Fuse Spec.		3A(D12)/1.5A(D24), 125V	5A(D12)/2.5A(D24), 125V	1.5A, 125V
Isolation Type		Transformer/Photo Coupler Isolation, 500VDC/minute		
Power*1 Output	5VDC(logic circuit)	N/A*2	5V, ±5%, 1A(max)	5V, ±5%, 0.4A(max)
	24VDC(output circuit)	24V±10%, 200mA(max)*3	24V, ±10%, 400mA(max)	24V, ±10%, 250mA(max)
	24VDC(input circuit)	24V±10%, 400mA(max)	24V, ±10%, 400mA(max)	24V, ±10%, 250mA(max)

Note \*1 : The 5VDC (for logic circuit) output power and the 24VDC (for output circuit) power can be accessed from the "I/O expansion output header" located on the right side of main/expansion units for expansion modules. The 24VDC power for input circuit is provided from the farthest 2 upper left terminals (labeled "+24V OUT-") on the input terminal block of main/expansion unit to input circuit in expansion module or other sensors.

Note \*2 : The 5VDC power of 10/14PTs main unit is generated by the oscillations of the 24VDC power in the output circuit, with specifications of 5VDC±10% and 400mA (max) (Circuit is located on the I/O board of 10/14PTs main unit)

Note \*3 : Without any I/O expansion interface, the 24VDC power in 10/14PTs main unit is for its output circuit alone and cannot be used for other purposes.

**⚠ Caution**

The schematic diagram of DC power supply in main/expansion unit is shown below. Also be cautious about the following:

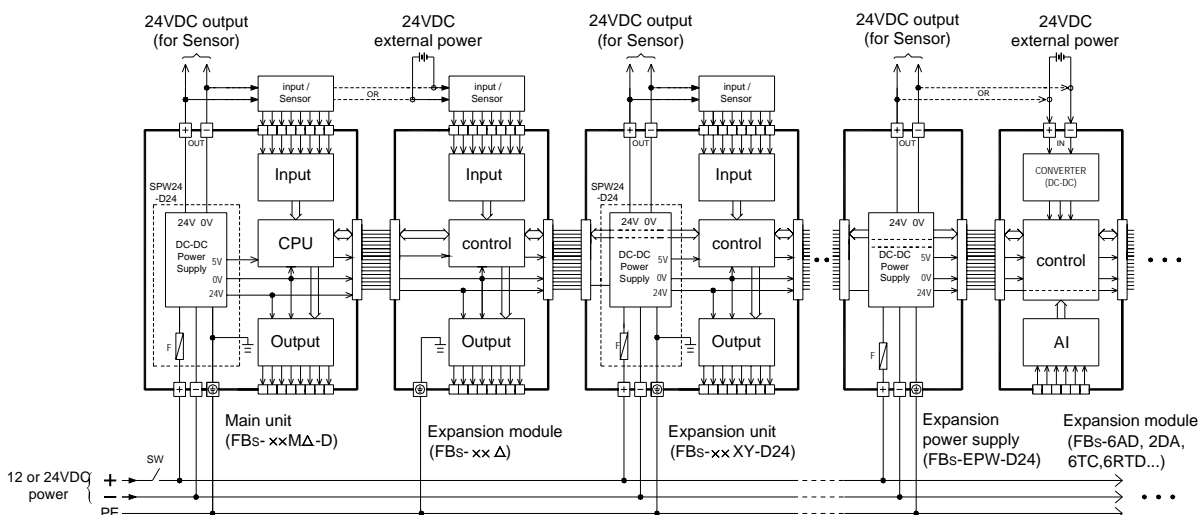
Please follow the wiring schemes regulated by local national standards to choose single-pole switch (break 24V+) or double-pole switch (break both 24V+ and 24V-) in order to turn on or off DC input power.

Wiring of 24V+ input power must be connected to the terminal labeled by **+**, while the 24V- end is connected to the **-** terminal, Please use wires with diameters of 1mm<sup>2</sup>~2mm<sup>2</sup>.

The **G** terminals on main unit and all digital expansion units/modules must be connected to the EG (Earth Ground) terminal on main power system according to the scheme shown in the following figure, using wire diameters larger than 2mm<sup>2</sup>.

**⚠ Warning**

Output of 24VDC power for input circuit cannot be connected in parallel with other powers, in which the conflict between two sets of power will decrease their lifetime or cause immediate damage. This will induce unexpected malfunction of PLC and cause serious or even deadly damage to people or equipment.



### 5.3 Residual Capacity of Main/Expansion Unit & Current Consumption of Expansion Module


Besides its own circuits usage, the residual capacities of three sets of built-in power supply of main/expansion unit are big enough for other expansion modules usage. In addition, the expansion power (FBs-EPW) module can also provides the power for expansion modules usage. As each model of the main/expansion unit has AC/DC power or modules, it has different residual capacity, various models of expansion modules also consume different amounts of current. In practice, one has to consider the match between the two to avoid overload in any of the three sets of output power. In the following, the worst case of the available residual capacity in each main/expansion unit and the maximum power consumption of expansion modules are described below spare.

#### 5.3.1 Residual Capacity of Main/Expansion Unit

Model		Extra Capacity	Output Power		
			5VDC(logic circuit)	24VDC(output circuit)	24VDC(input circuit)
			-output communication block or expansion cable-	-output expansion cable-	-output terminal block-
AC P O W E R	Main Unit	FBs-10/14MA	300mA	—	340mA
		FBs-20MA	753 mA	335mA	310mA
		FBs-24MA	722 mA	325mA	295mA
		FBs-32MA	712 mA	315mA	262mA
		FBs-40MA	688 mA	295mA	244mA
		FBs-60MA	644 mA	255mA	190mA
		FBs-10/14MC	300 mA	—	340mA
		FBs-20MC	753 mA	335mA	310mA
		FBs-24MC	722 mA	325mA	295mA
		FBs-32MC	712 mA	315mA	262mA
		FBs-40MC	688 mA	295mA	244mA
		FBs-60MC	644 mA	255mA	190mA
		FBs-20MN	710mA	310mA	325 mA*
		FBs-32MN	670mA	297mA	280 mA*
		FBs-44MN	627 mA	276 mA	250 mA*
	Expansion Unit	FBs-24XY-⊙	948 mA	350mA	337mA
		FBs-40XY-⊙	918 mA	320mA	292mA
		FBs-60XY-⊙	880 mA	280mA	238mA
DC P O W E R	Main Unit	FBS-10/14MA-D24	300mA	—	270mA
		FBS-20MA-D24	753mA	Total 295mA	
		FBS-24MA-D24	722mA	Total 270mA	
		FBS-32MA-D24	712mA	Total 227mA	
		FBS-40MA-D24	688mA	Total 189mA	
		FBS-60MA-D24	644mA	Total 95mA	
		FBS-10/14MC-D24	300mA	—	270mA
		FBS-20MC-D24	753mA	Total 295mA	
		FBS-24MC-D24	722mA	Total 270mA	
		FBS-32MC-D24	712mA	Total 227mA	
		FBS-40MC-D24	688mA	Total 189mA	
		FBS-60MC-D24	644mA	Total 95mA	

		FBS-20MN-D24	710mA	Total 285mA*
		FBS-32MN-D24	670mA	Total 227mA*
		FBS-44MN-D24	627mA	Total 176mA*
	Expansion Unit	FBS-24XY - ◎	948mA	Total 337mA
		FBS-40XY - ◎	918mA	Total 262mA
		FBS-60XY - ◎	880mA	Total 168mA

- In the above table, the residual capacity is calculated according to the most power-consuming model (for example, MCT) of in each main/expansion unit by its I/O point number, under the maximum load condition (with both DI and DO ON). The basic units for calculation are 7.5mA/PT for high/medium speed DI, 4.5mA/PT for low speed DI (Ultra high speed DI does not use the 24VDC power in input circuit), 10mA/PT for high speed DO, 7.5mA/PT for medium speed DO, and 5mA for low speed DO and relay output. (excluding the SSR model).
- See Sections 5.1 and 5.2 for the residual capacity of expansion power (-EPW-AC and -EPW-D24)

 Warning
Either for the built-in power supply of the main/expansion unit or the expansion power supply for the expansion unit, the total amount of current cannot exceed the value listed in the above table. Any violation will cause a voltage drop by overloading the power supply, or intermittent powered with the supply in protection mode, either of which will result in unexpected action of PLC and cause harm to people or damage to equipment.

### 5.3.2 Maximum Current Consumption of Expansion Module

Without its own power supply, expansion modules must be supported by the main/expansion unit, expansion power, or external power supply (24VDC input circuit alone). The following table lists the maximum consumption current of each expansion module.

Model	Current	5VDC Logic Circuit	24VDC Output Circuit	24VDC Input Circuit
		-input expansion cable-		--input terminal block--
Digital I/O Expansion Module	FBS-24XY	54 mA	85mA	63mA
	FBS-40XY	83 mA	136mA	108mA
	FBS-60XY	119 mA	124mA	162mA
	FBS-8XY	30 mA	34mA	18mA
	FBS-8X	30 mA	—	36mA
	FBS-8Y	29 mA	68mA	—
	FBS-16XY	40 mA	68mA	36mA
	FBS-16Y	40 mA	136mA	—
	FBS-20X	35 mA	—	90mA
	FBS-24X	54 mA	—	108mA
	FBS-24YT	66 mA	—	—
	Numeric I/O Expansion Module	FBS-32DGI	14 mA	—
FBS-7SG1		24 mA	—	213 mA
FBS-7SG2		24 mA	—	396 mA
FBS-6AD		25 mA	—	53 mA
FBS-2DA		33 mA	—	90 mA
FBS-4DA		35 mA	—	137 mA
FBS-4A2D		35 mA	—	103 mA
FBS-2TC		30 mA	—	21 mA
FBS-6TC		30 mA	—	29 mA
FBS-6RTD		32 mA	—	16 mA
FBS-16TC		30 mA	—	58 mA
FBS-16RTD		32 mA	—	19 mA
FBS-6NTC		33 mA	—	16 mA



	FBs-2A4TC	39 mA	—	52 mA
	FBs-2A4RTD	39 mA	—	32 mA
	FBs-B4AD	25 mA	—	—
	FBs-B2DA	223 mA	—	—
	FBs-B2A1D	158 mA	—	—
Voice Output Module	FBs-VOM	500 mA	—	—
Special Modules	FBs-4PT	25 mA	—	82 mA
	FBs-1LC	32 mA	—	48 mA
Communication Board (CB)	FBs-CB2	13 mA	—	—
	FBs-CB22	26 mA	—	—
	FBs-CB5	51 mA	—	—
	FBs-CB55	95 mA	—	—
	FBs-CB25	55 mA	—	—
	FBs-CBE	50 mA	—	—
Communication Module (CM)	FBs-CM22	18 mA	—	—
	FBs-CM55	95 mA	—	—
	FBs-CM25	70 mA	—	—
	FBs-CM25E	110 mA	—	—
	FBs-CM55E	120 mA	—	—
	FBs-CM25C	—	—	41 mA
	FBs-CM5R	—	—	26 mA
	FBs-CM5H	—	—	135 mA
Others	FBs-BDAP	47 mA	—	—
	FBs-BPEP	58 mA	—	—
	FBs-DAPB	—	—	75 mA
	FBs-DAPC	193 mA	—	—
	FP-08	125 mA	—	—

- The above table lists the required current for the maximum consumption in each expansion module. The 24VDC input circuit consumes 4.5mA less per point of OFF state DI in DI/O module, while the 24VDC output circuit consumes 5mA less per point of OFF state DO. The effect of power consumption variation regarding the ON/OFF state of DI/DO of expansion modules other than DI/O are less significant and can be neglected.
- The effect of residual capacity variation regarding the ON/OFF state of DI/DO for 5VDC logic circuit can be neglected.

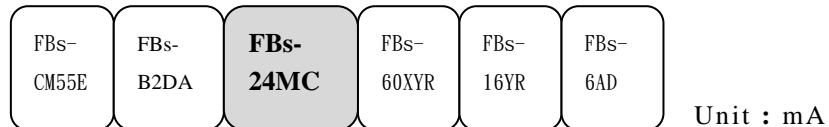
### 5.3.3 Calculation Example of Power Capacity

Power module selection is depending on the sum of current consumption of all modules. Therefore, user must know the current consumption of each module. Please refer to the above table, which has the maximum current consumption of each expansion module.

Before power module selection, we need to calculate the total current consumptions. Calculations need to be divided into two sections, DC5V (Bus Power) current consumption and DC24V (Bus Power) current consumption.

User must consider the match between power and expansion modules cannot cause BusPower output power of any one group of overload use.

Example 1: The below diagram is a system modules, try to calculate the power supply used of the system.



							Result
Internal 5VDC logic power supply	-120	-223	+722	-119	-40	-25	+195 (OK)
Internal 24VDC logic power supply	-	-	+325	-124	-136	-	+65 (OK)
External 24VDC Sensor power supply	-	-	+295	-162	-	-53	+80 (OK)

- Result: (1) First calculate current consumption of internal 5VDC logic power supply  
 $+722\text{mA} - 120\text{mA} - 223\text{mA} - 119\text{mA} - 40\text{mA} - 25\text{mA} = +195\text{ mA}$  (OK)
- (2) And then calculate current consumption of internal 24VDC logic power supply  
 $+325\text{mA} - 124\text{mA} - 136\text{mA} = +65\text{ mA}$  (OK)
- (3) Calculate current consumption of external 24VDC Sensor power supply  
 $+295\text{mA} - 162\text{mA} - 53\text{mA} = +80\text{ mA}$  (OK)

In conclusion, the total current consumption of the above five modules cannot exceed the total current consumption of the main unit, so do not need to expand any power supply module.

Example 2: The below diagram is a system modules, try to calculate the power supply used of the system.



							Result
Internal 5VDC logic power supply	-120	-223	+722	-119	-40	-40	+155 (OK)
Internal 24VDC logic power supply	-	-	+325	-124	-136	-136	-71 (overload)
External 24VDC Sensor power supply	-	-	+295	-162	-	-53	+80 (OK)

- Result: (1) First calculate current consumption of internal 5VDC logic power supply  
 $+722\text{mA} - 120\text{mA} - 223\text{mA} - 119\text{mA} - 40\text{mA} - 40\text{mA} - 25\text{mA} = +155\text{ mA}$  (OK)  
 (2) And then calculate current consumption of internal 24VDC logic power supply  
 $+325\text{mA} - 124\text{mA} - 136\text{mA} - 136\text{mA} = -71\text{ mA}$  (overload)  
 (3) Calculate current consumption of external 24VDC Sensor power supply  
 $+295\text{mA} - 162\text{mA} - 53\text{mA} = +80\text{ mA}$  (OK)

In conclusion, the total current consumption of internal 24VDC logic power supply of above six expansions exceeds power capacity of the main unit, so needs to expand power supply module as in example 3.

Example 3: The below diagram is a system modules, try to calculate the power supply used of the system.

	FBS- CM55E	FBS- B2DA	<b>FBS- 24MC</b>	FBS- 60XYR	FBS- 16YR	FBS- 6AD	Result	<b>FBS- EPW-AC</b>	FBS- 16YR	Result
	(1)							(2)		
Internal 5VDC logic power supply	-120	-223	<b>+722</b>	-119	-40	-25	+195 (OK)	<b>400</b>	-40	+360(OK)
Internal 24VDC logic power supply	-	-	<b>+325</b>	-124	-136	-	+65 (OK)	<b>250</b>	-136	+114 (OK)
External 24VDC Sensor power supply	-	-	<b>+295</b>	-162	-	-53	+80 (OK)	<b>250</b>	-	+250 (OK)

Unit : mA

Result: (1) First calculate the current consumption of expansion modules which provided from the main unit.

- current consumption of internal 5VDC logic power supply  
 $+722\text{mA} - 120\text{mA} - 223\text{mA} - 119\text{mA} - 40\text{mA} - 25\text{mA} = 195\text{mA}$  (OK)  
 current consumption of internal 24VDC logic power supply  
 $+325\text{mA} - 124\text{mA} - 136\text{mA} = 65\text{ mA}$  (OK)  
 current consumption of external 24VDC Sensor power supply  
 $+295\text{mA} - 162\text{mA} - 53\text{mA} = 80\text{ mA}$  (OK)

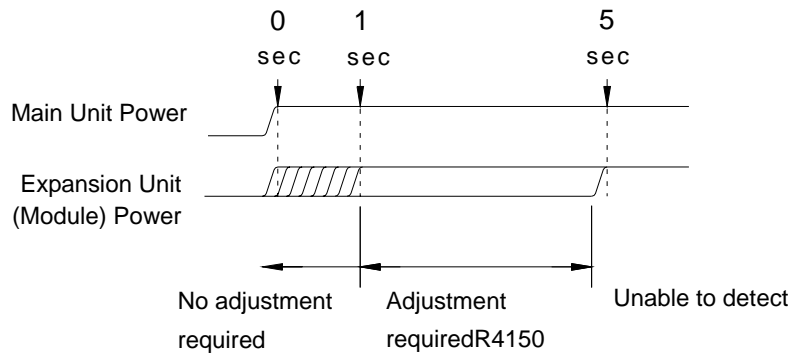
(2) then calculate the current consumption of expansion modules which provided from expansion power supply module

- current consumption of internal 5VDC logic power supply  
 $+400\text{mA} - 40\text{mA} = +360\text{ mA}$  (OK)  
 current consumption of internal 24VDC logic power supply  
 $+250\text{mA} - 136\text{mA} = +114\text{ mA}$  (OK)  
 current consumption of external 24VDC Sensor power supply  
 $+250\text{mA} - 0\text{mA} = +250\text{ mA}$  (OK)

In conclusion, add one expansion power supply(FBs-EPW-AC) , in this way it can satisfy the total current consumption of six expansion modules.

## 5.4 Requirement of Power Sequence in Main Unit & Expansion Unit/Module

When the power is on, the FBS-PLC main unit first detects the type and number of expansion unit/module attached to its expansion interface and get the actual I/O configuration. Therefore, while the main unit performs detection, the power in expansion unit/module should be already UP, otherwise, the detected I/O configuration will not correct. Namely, the power of expansion unit/module should be ON simultaneously or even earlier. There will be no time sequence error when main unit/expansion unit/module are connected together to one power. If the expansion unit and main unit powered by different powers (or the same power but different switches), or external power supply is used for expansion modules, time sequence of both powers should be considered. To solve the problem of the expansion unit/module power not get ready before main unit power does, FBS-PLC provides a special R4150 register which can delay the detection time of I/O configuration. The time base of R4150 is 0.01sec with a default value of 100 (namely a 1sec delay), which can be set from 100~500 (1~5sec), as shown in the figure below. If the expansion unit power cannot be UP within 1sec after main unit power is ON, the R4150 time needs to be set longer to delay the detection by CPU. It cannot exceed 5sec, however, otherwise the configuration of expansion interface cannot be detected.



# Chapter 6 Digital Input (DI) Circuit

The FBS-PLC provides the ultra high speed differential double end 5VDC inputs (i.e., single input with two terminals without common) and the single-end 24VDC inputs which use the common terminal to save terminals. The response speeds of single-end common input circuits are available in high, medium and low. Because the double end input circuit has two independent terminals, it can be connected either in SINK or SOURCE for input or in differential input wiring for line driver source. The single-end input circuit can be set to SINK or SOURCE type by varying the wiring of the common terminals S/S inside PLC and external common wire of input circuits (see Sec. 6.3 for details).

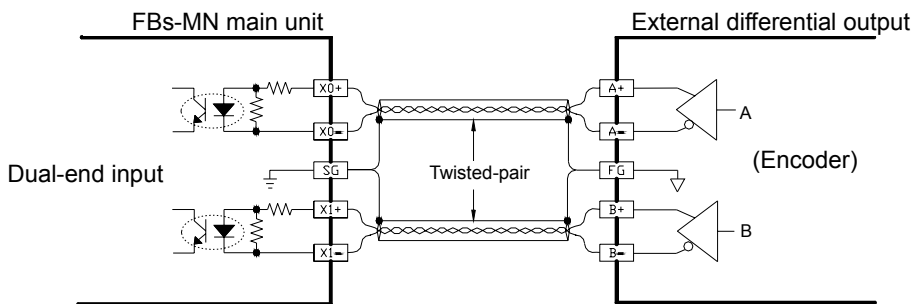
## 6.1 Specifications of Digital Input (DI) Circuit

Item	5VDC Differential Input		24VDC Single-end Input				Note
	Ultra High Speed(HSC)	High Speed (HSC)	Medium Speed(HSC)		Mid/Low Speed	Low Speed	
Specifications							
Maximum input frequency*/ accumulated time	920KHz	200KHz	20KHz (HHSC)	Total 5KHz (SHSC)	0.47 mS <sup>*1</sup>	4.7 mS	* : Half of maximum frequency while A/B phase input
Input Signal Voltage	5VDC±10%		24VDC±10%				
Input Current Threshold	ON Current	> 11 mA	> 8 mA	> 4mA		> 2.3mA	
	OFF Current	< 2 mA		< 1.5mA		< 0.9mA	
Maximum Input current	20mA	10.5mA	7.6mA		4.5 mA		
Input Status Indication	Displayed by LED: Lit when "ON", dark when "OFF"						
Isolation Type	Photocoupler signal isolation						
SINK/SOURCE Wiring	Independent Wiring	Via variation of internal common terminal S/S and external common wiring					
List of Input Response Speed for Various Models	FBS-20MNR/T/J	X0,1	X4, 5, 8, 9		X2,3,6,7,10,11		* <sup>1</sup> : Limit of input speed in MA model is 10KHz
	FBS-32MNR/T/J	X0,1,4,5	X8, 9, 12, 13		X2,3,6,7,10,11,14,15	X16~19	
	FBS-44MNR/T/J	X0,1,4,5,8,9,12,13			X2,3,6,7,10,11,14,15	X16~27	
	FBS-10MCR/T/J		X0,1	X4,5	X2,3		
	FBS-14MCR/T/J		X0,1	X4,5	X2,3,6,7		
	FBS-20MCR/T/J		X0,1,4,5	X8,9	X2,3,6,7,10,11		
	FBS-24MCR/T/J		X0,1,4,5	X8,9,12,13	X2,3,6,7,10,11		
	FBS-32MCR/T/J		X0,1,4,5,8,9	X12,13	X2,3,6,7,10,11,14,15	X16~19	
	FBS-40MCR/T/J		X0,1,4,5,8,9	X12,13	X2,3,6,7,10,11,14,15	X16~23	
	FBS-60MCR/T/J		X0,1,4,5,8,9,12,13		X2,3,6,7,10,11,14,15	X16~35	
	FBS-10MAR/T/J			X0,1,4,5	X2,3		
	FBS-14MAR/T/J			X0,1,4,5	X2,3,6,7		
	FBS-20MAR/T/J			X0,1,4,5,8,9	X2,3,6,7,10,11		
	FBS-24MAR/T/J			X0,1,4,5,8,9,12,13	X2,3,6,7,10,11		
	FBS-32MAR/T/J			X0,1,4,5,8,9,12,13	X2,3,6,7,10,11,14,15	X16~19	
	FBS-40MAR/T/J			X0,1,4,5,8,9,12,13	X2,3,6,7,10,11,14,15	X16~23	
	FBS-60MAR/T/J			X0,1,4,5,8,9,12,13	X2,3,6,7,10,11,14,15	X16~35	
Expansion Unit/Module R/T/J					All Input Points		
Noise Filtering Time Constant <sup>*3</sup>	DHF(0 ~ 15mS) + AHF(0.47µs)		DHF(0 ~ 15mS) + AHF(4.7µs)		DHF(0 ~ 15mS) + AHF(0.47µs)	AHF(4.7ms)	DHF : Digital Hardware Filter AHF : Analog Hardware Filter

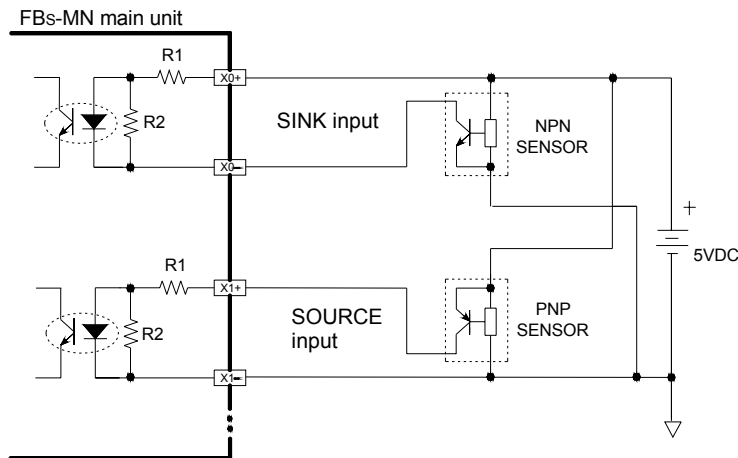
## 6.2 Structure and Wiring of 5VDC Ultra High Speed Differential Input Circuit

Only the MN main unit of FBs provides the 5VDC ultra high speed differential input circuit, which is mainly used for the input of hardware high speed counter (HHSC) with a maximum working frequency up to 920 KHz. In practice, to ensure the high speed and high noise immunity, please use Line-Driver for differential line driving. In environments with small noise and medium working frequency (<200KHz), however, it can be changed to the 5VDC single-end SINK or SOURCE input or to the 24VDC single-end SINK or SOURCE input by connecting a 3K $\Omega$ /0.5W resistor in series, as shown in the figure below.

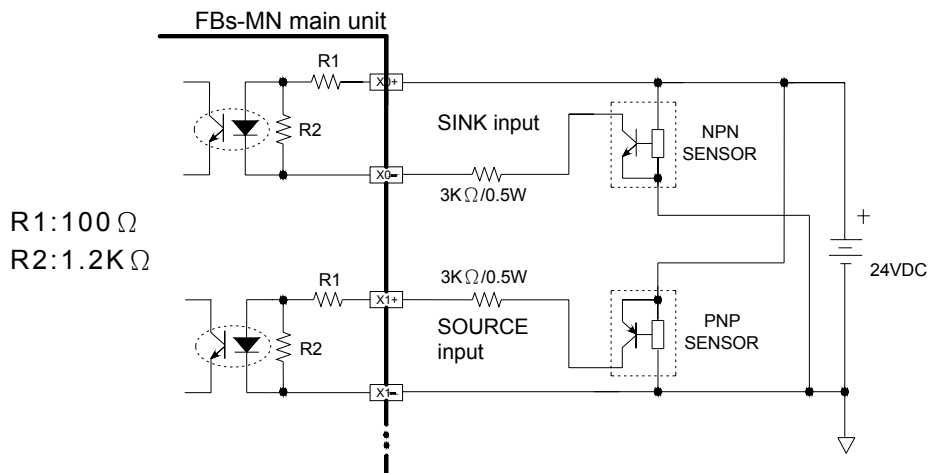
- (A) Wiring of 5VDC differential input for Line-Driver driving (with frequency up to 920KHz for high speed and environments with large noise)



- (B) Wiring of 5VDC differential input to 5VDC single SINK or SOURCE input



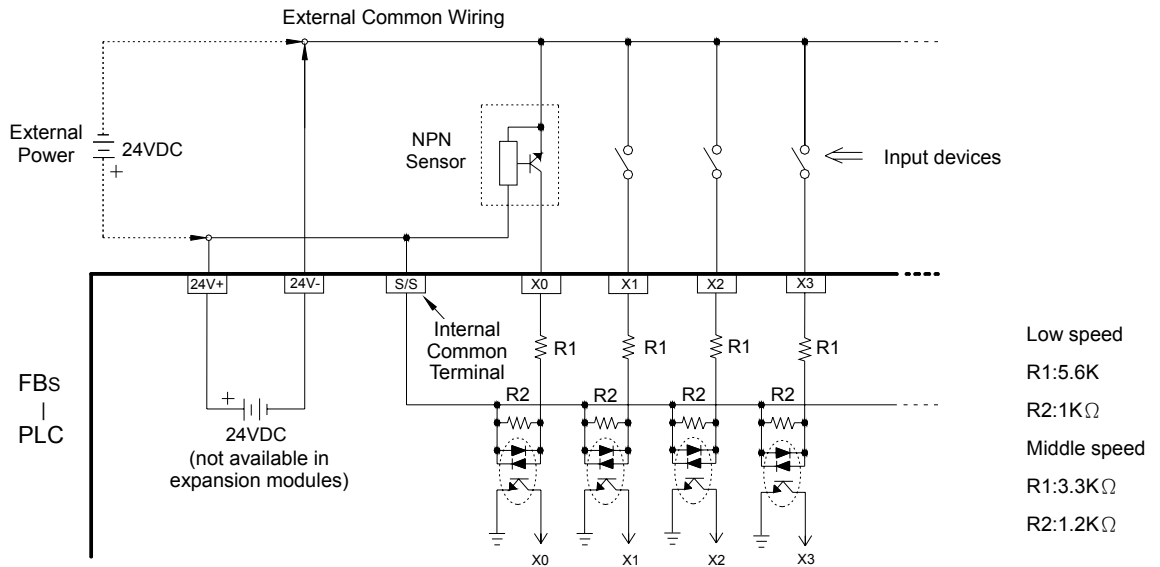
- (C) Method of converting 5VDC differential input to 24VDC single-end SOURCE input



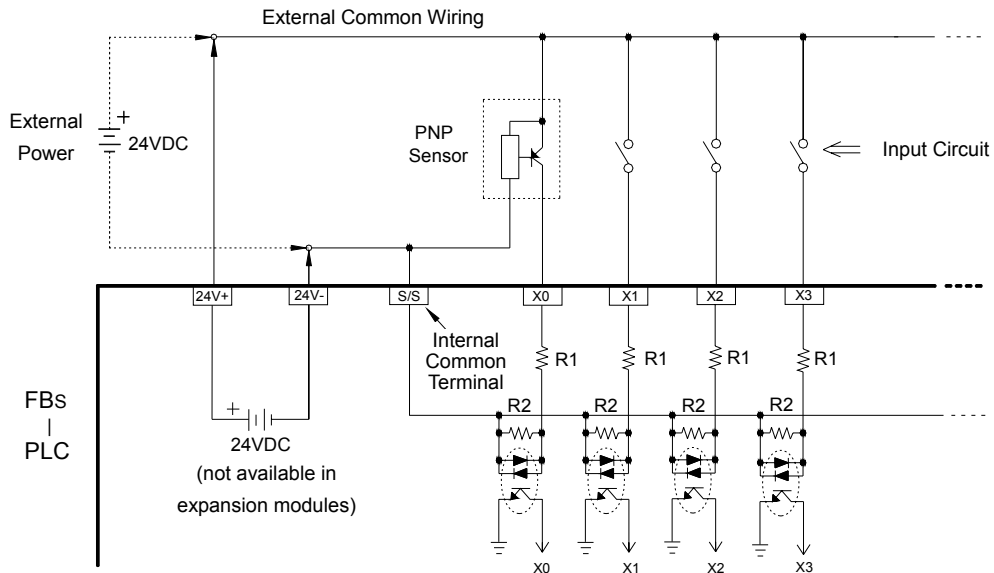
### 6.3 24VDC Single-End Input Circuit and Wiring for SINK/SOURCE Input

The 24VDC single-end digital input circuits of FBs-PLC are available for high, medium and low speed. They all have the similar circuit structures but with different response speeds. To save input terminals, the circuit of single-end input is implemented by connecting one end of all input points (photo coupler) inside the PLC to the same internal common point labeled as S/S. The other end of each input circuit is connected to corresponding terminals such as X0, X1, X2, etc. The S/S common terminal and N single-end inputs comprise of N digital inputs (i.e., only N+1 terminals are used for N terminals). Therefore, we call this type of input structure the single-end input. The user also needs to do the same thing when making the connection of external digital input devices. Namely, the one end of all input devices (e.g., buttons, switches) are connected together and called the external common wire, while the other ends of input circuits are connected to the input terminals X0, X1, X2, etc., of PLC. Then finish it by connecting the external common wiring and internal common terminal S/S to the positive/negative terminals of the 24VDC power. When connect the internal common terminal S/S to 24V+(positive) and the external common wire to 24V- (negative), then the circuit serve as SINK input. On the contrary, while exchange the wiring of the above internal and external common will serve as a SOURCE input. The above wiring schemes can illustrated below:

- Wiring of single-end common SINK input




- Wiring of single-end common SOURCE input



# Chapter 7 Digital Output (DO) Circuit

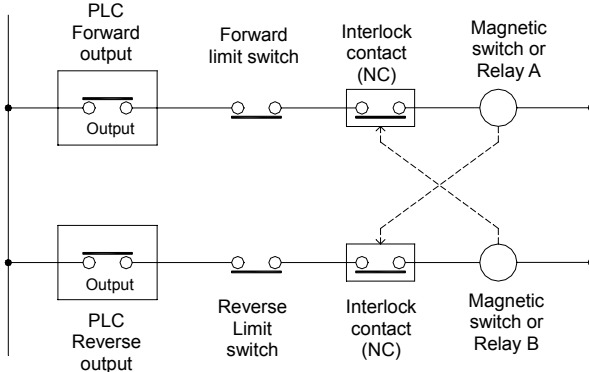
The digital outputs of FBS-PLC are available in the following two structures: the 5VDC ultra high speed Line-driver type differential output (i.e., one output occupying two terminals), and the single-end output circuit for saving terminals. There are three kinds of output device for the single-end output, which are relays, TRIAC and transistors. Since the relay and TRIAC are bilateral, even when used in single-end output, they can serve as SINK or SOURCE output. The transistor, however, because of its polarities, after being used as single-end common output, its SINK and SOURCE polarities are exactly the opposite (common point Cn of SINK output must connect to negative end of DC power). Therefore, the product model of transistor output of FBS-PLC for SINK and SOURCE is distinct. At the right side of terminal block of FBS-PLC, there is a place for making SINK or SOURCE label.

 **Warning**

No over current protection is available in the FBS series PLC. Except for the 5V differential output circuit, all other output circuits have to be added with over current or short circuit protections externally, such as fuses, in applications with safety concern.

Terminals labeled by “●” on the terminal block are empty contacts, which cannot be connected with any wire to maintain the required safety clearance and to avoid damage to the unit.

In situations where simultaneous operations of outputs(such as reverse/forward action of motor) pose safety concerns, besides the interlock in PLC programs, additional interlock circuits are needed outside PLC, as shown below :



The diagram illustrates a safety interlocking circuit for a motor. It features two parallel PLC output lines. The top line is labeled 'PLC Forward output' and the bottom line is labeled 'PLC Reverse output'. Each line passes through a corresponding limit switch: 'Forward limit switch' and 'Reverse Limit switch'. Following the limit switches, the circuit branches into two paths. The top path includes an 'Interlock contact (NC)' and a 'Magnetic switch or Relay A'. The bottom path includes another 'Interlock contact (NC)' and a 'Magnetic switch or Relay B'. Dashed lines with arrows indicate that the interlock contacts are crossed: the top interlock contact is connected to the bottom magnetic switch, and the bottom interlock contact is connected to the top magnetic switch. This configuration ensures that if the forward limit switch is triggered, the reverse magnetic switch cannot be energized, and vice versa, preventing simultaneous forward and reverse motor actions.



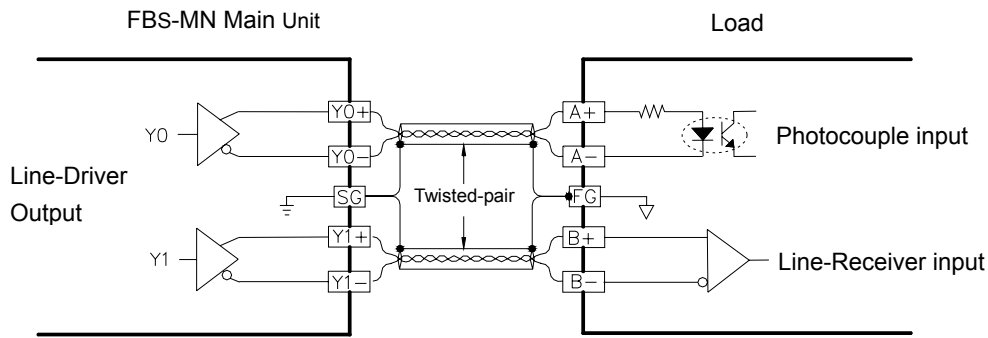
## 7.1 Specifications of Digital Output Circuit

Item		Differential Output	Single-End Transistor Output (T, J)			Single-End Relay Output
		Ultra High Speed	High Speed	Medium Speed	Low Speed	
Specification						
Maximum output frequency*		920KHz	200KHz	20KHz	—	For ON/OFF, not for frequent exchange
Working Voltage		5VDC±10%	5~30VDC			<250VAC, 30VDC
Maximum Load Current	Resistive	50mA	0.5A	0.5A	0.5A 0.1A (24YT/J)	2A/single, 4A/common
	Inductive					80VA(AC)/24VA(DC)
Maximum Voltage Drop/conducting resistance		—	0.6V	2.2V	2.2V	0.06V(initial)
Minimum Load		—	—			2mA/DC power
Leakage Current		—	<0.1 mA/30VDC			—
Maximum Output Delay Time	ON→OFF	200nS	2 μ S	15 μ S		10mS
	OFF→ON			30 μ S		
Output Status Indication		LED is bit when "ON" , dark when "OFF"				
Over Current Protection		N/A				
Isolation Type		Photocoupler Isolation, 500VAC, 1 minute			Electromagnetic Isolation, 1500VAC, 1 minute	
SINK/SOURCE Output Type		Independent Dual Terminals for arbitrary connection	Choose SINK/SOURCE by models and non-exchangeable			Bilateral device, can be arbitrarily set to SINK/SOURCE output
List of Input Response Speed for Various Models	FBs-20MNR/T/J	Y0~1	Y2~7			Y2~7
	FBs-32MNR/T/J	Y0~3	Y4~7		Y8~11	Y4~11
	FBs-44MNR/T/J	Y0~7			Y8~15	Y8~15
	FBs-10MCR/T/J		Y0,1	Y2,3		All output points
	FBs-14MCR/T/J		Y0,1	Y2~5		
	FBs-20MCR/T/J		Y0~3	Y4~7		
	FBs-24MCR/T/J		Y0~3	Y4~7	Y8~9	
	FBs-32MCR/T/J		Y0~5	Y6,7	Y8~11	
	FBs-40MCR/T/J		Y0~5	Y6,7	Y8~15	
	FBs-60MCR/T/J		Y0~7		Y8~23	
	FBs-10MAR/T/J			Y0~3		
	FBs-14MAR/T/J			Y0~5		
	FBs-20MAR/T/J			Y0~7		
	FBs-24MAR/T/J			Y0~7	Y8,9	
	FBs-32MAR/T/J			Y0~7	Y8~11	
	FBs-40MAR/T/J			Y0~7	Y8~15	
	FBs-60MAR/T/J			Y0~7	Y8~23	
	Expansion Units/Modules(R/T/J)				All output points	

\*Half of the maximum frequency while A/B phase output

## 7.2 5VDC Ultra High Speed Line-Driver Differential Output Circuit and its Wiring

The 5VDC ultra high speed Line-Driver differential output circuit of FBS-PLC is only available for the main unit of the MN model. Its output can connect to general photo coupler circuit or Line-Receiver input circuit, with the connection shown in the figure below. To improve noise immunity and maintain signal quality, please use twisted pair with shield (or aluminum foils) for connection and connect the shield with SG of PLC and FG of the driver. Please also operate in 2-phase driving mode (because 2-phase driving can automatically cancel interferences from noise pulses).



With frequency up to 920KHz, for high speed or high noise environments

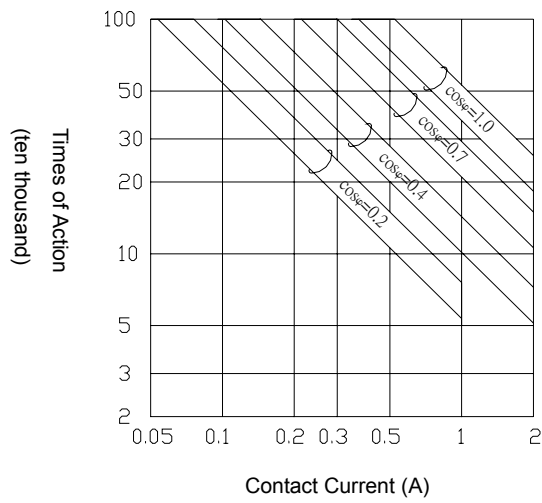
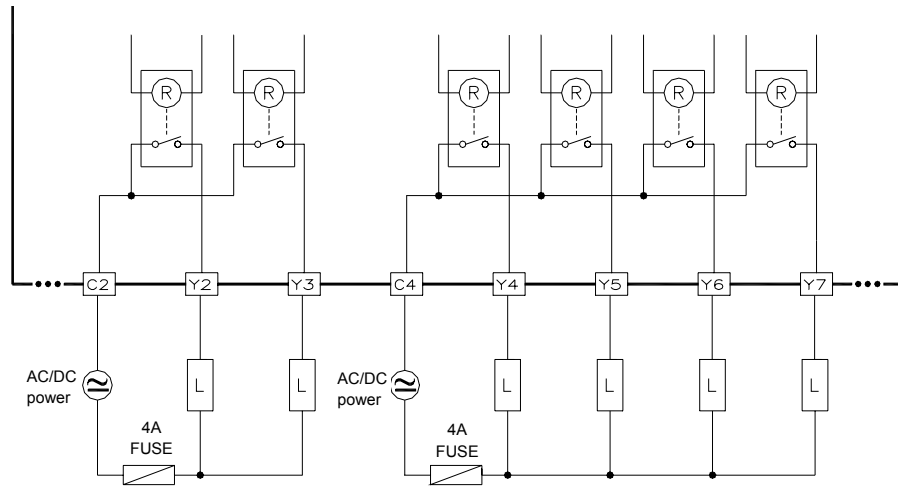
## 7.3 Single-End Output Circuit

Except that the 5VDC ultra high speed output circuit has independent dual terminal outputs, all other output circuits such as relays, transistors or TRIAC are single-end output structure. A single-end output in each digital output (DO) takes up only one terminal. But since any output device has two ends, the one end of several output devices have to be connected together to one common point (called output common) for single-end output. Then each output point can output via this common point. The more output device share a same common points, the more terminals are saved, while relatively increasing the current running through the common point. Combination of any output common with its individual single-end outputs are called a Common Output Block, which is available in 2, 4 and 8PTs (high-density module) in FBS-PLC. Each Common Output Block is separated from one another. The common terminal has a label initiated with letter "C", while its numbering is determined by the minimum Yn number which comprise the output block. In the example of the figure below, the number of common terminal of output block Y2 and Y3 is C2, while the number of common terminal of output Block Y4, Y5, Y6 and Y7 is C4. The various single-end common output circuits are described below :

### 7.3.1 Structure and Wiring of Single-End Relay Output Circuit

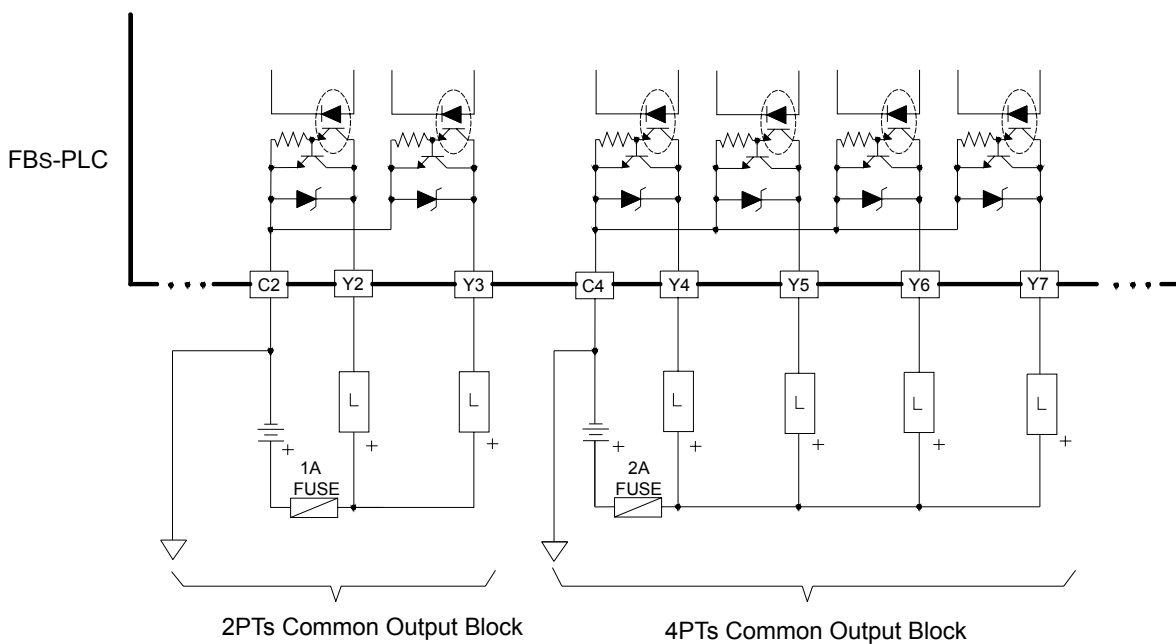
Because relay contacts have no polarity, it can be applied for AC or DC load power. Each relay can provide current up to 2A. The maximum rated current in all output commons of FBS-PLC is 4A. Its mechanical lifetime can reach up to 2 million times, while the contacts have a shorter lifetime. The lifetime also varies depending on working voltage, load type (power factor  $\cos \phi$ ) and contact current. The relation between them is plotted in the figure below. In the case of pure resistive load ( $\cos \phi = 1.0$ ) at 120VAC and 2A, the lifetime of contacts is about 250 thousand times. While for high inductive or capacitive load with  $\cos \phi$  up to 0.2 and current within 1A, the lifetime decreases rapidly to about 50 thousand times (AC200V) or 80 thousand times (AC120V).

FBS-PLC

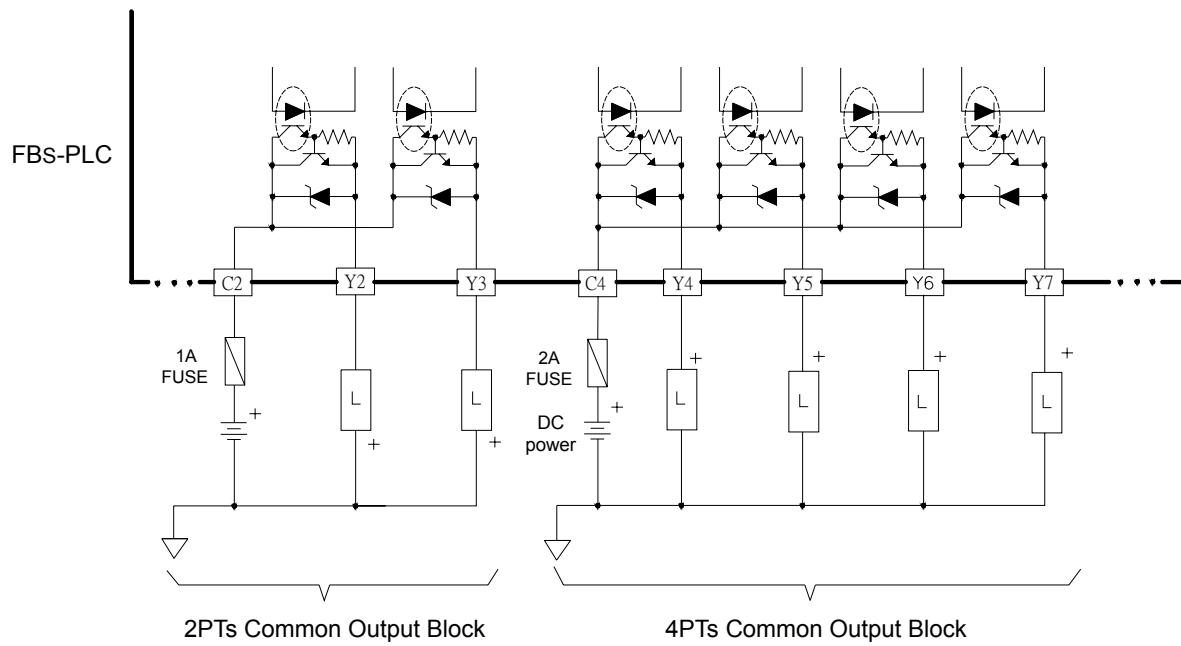


**7.3.2 Structure and Wiring of Single-End Transistor SINK and SOURCE Output Circuit**

A. Transistor Single-End SINK Output



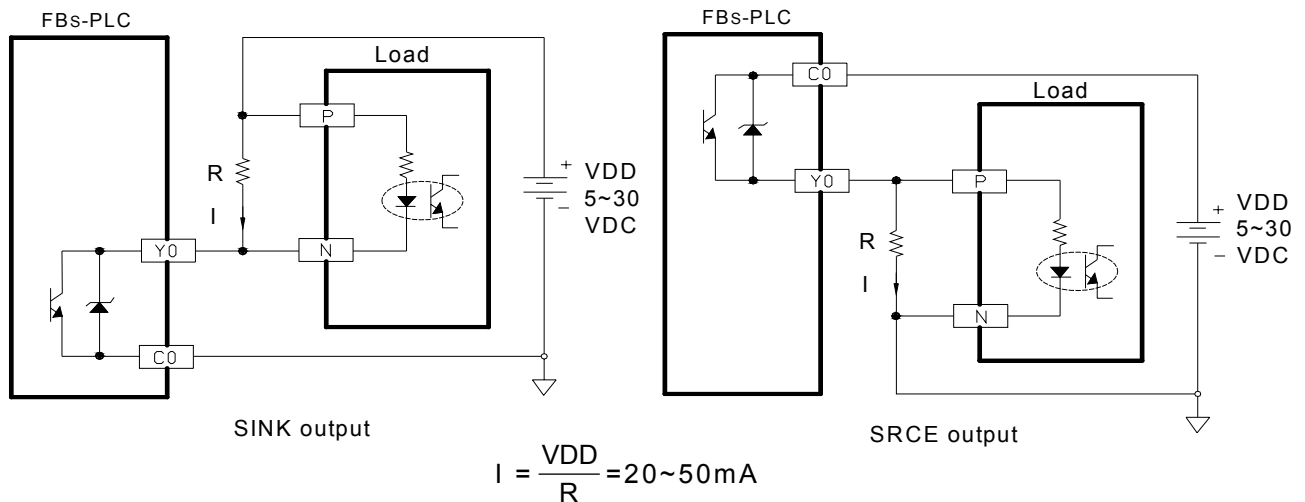
## B. Transistor Single-End SOURCE Output



The figure above uses output blocks of 2PTs common and 4PTs common as an example to explain the differences in structural and wiring for SINK and SOURCE output circuits, respectively. (8PTs common has the same block structure and wiring, except with different point number) The single-end SINK output and SOURCE transistor output in FBS-PLC are different models. The user must check whether it is SINK output model or SOURCE output model when purchasing.

## 7.4 Speed up the Single-End Transistor Output Circuit (only applicable to high and medium-speed)

Either with the SINK or SOURCE structure in single-end output transistor circuit, when the transistor switches from ON to OFF, the junction capacitor between transistor CE electrodes should be charged to near the load voltage VDD before it can stop the current running through the photocoupler inside the load, which increase the OFF time and decrease the response speed. This problem can be solved by adding a Dummy load to accelerate charging rate and speed up the working frequency of transistor output. For the transistor output in FBS-PLC, Dummy load that are added to the high- and medium-speed transistor output and generate a load current of 20~50mA is adequate. For low speed transistor where its driving capability (0.5A) but speed is concerned, adding a Dummy load only decreases its driving capability without any significant improvement and hence is not recommended. The following diagram shows how to add a Dummy load to SINK and SOURCE transistor output.



## 7.5 Output Device Protection and Noise Suppression in DO Circuit

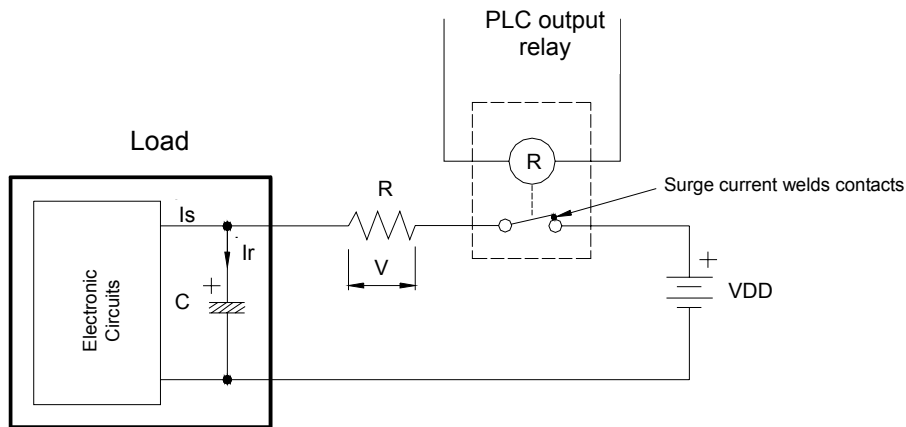
Since the digital output circuits are mainly used for the ON/OFF switching operation, the output components such as relays, transistors and TRIAC can be deemed as kinds of switch components. Normally, surge currents or counter-electromotive force voltages are generated during the ON/OFF operation of these switch components. The effect of surge currents or counter-electromotive force voltages is particularly serious when heavy capacitive or inductive loads are incorporated, which may cause damage to the output components or generate noises in other electronic circuits and equipment. Among those three FBS-PLC output components, where TRIAC require no special treatment because of their features of smaller rated current, zero cross in ON/OFF, and built-in protection circuits, special consideration should be given to relays and transistors when they are used in high power applications or connected with capacitive or inductive loads and are described in the following:

### 7.5.1 Protection of Relay Contacts and Noise Suppression

Because the relay contacts are used to contact switch components having extremely low resistance, the surge current  $IR$  generated instantly upon turning on the relay is normally pretty strong (even if the steady load current is very small). Under such strong surge, the contact tends to melt and stick due to extreme temperature in such a way that the relay cannot trip when it is disconnected. In addition, when the relay connections are OFF, large  $di/dt$  is generated because of the instantaneous change from low resistance to open circuit ( $\infty$ ) soon after following the tripping of contact. As a result, an extremely strong counter-electromotive force voltage is induced, which creates sparks between the electrodes of two relay contacts and results in poor contact due to carbon deposits. Among those three output components, either in ON or OFF state, very serious interference can be caused by the surge current or the counter-electromotive of the relay. The solutions to this problem are listed as follows:

### A. Suppression of Surge Current

⇒ Connect a small resistor R in series to lower the surge current, but note that too large R will affect the driving capability or cause too much voltage drop.

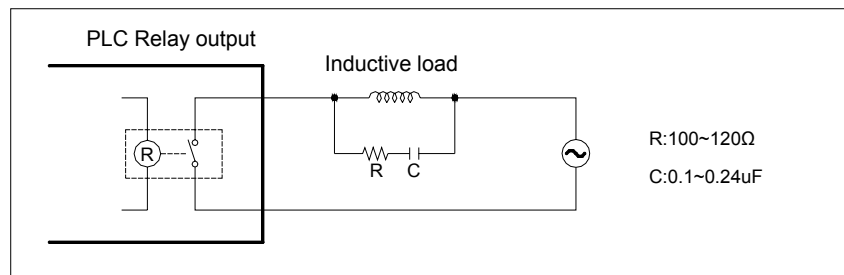


$$R \geq \frac{VDD}{I_r \text{ max}} \quad (\text{note power dissipation } P = I_s^2 R \text{ and voltage drop } V = I_s R)$$

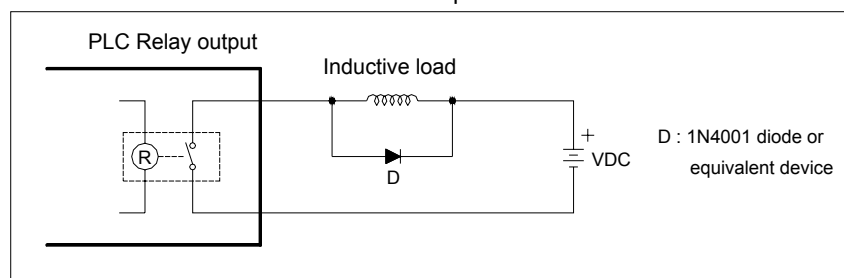
$I_r \text{ max of relay in FBS-PLC} = 5A$

### B. Suppression of Counter-Electromotive Force

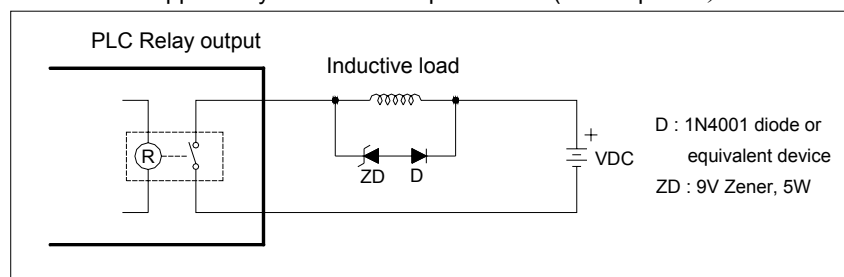
For the inductive load, whether in AC or DC power, suppression devices must be connected in parallel to both its ends to protect the relay contacts and lower noise interference. The schematic diagrams for AC and DC powers are shown below, respectively:



Scheme of AC power load



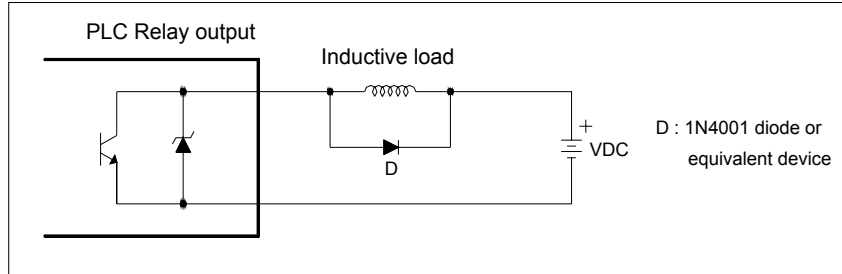
Suppress by a diode in DC power load (for low power)



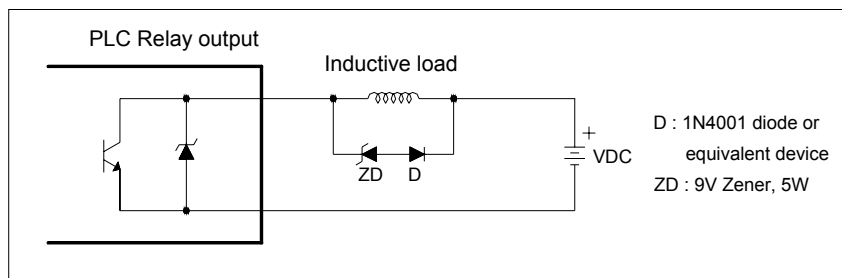
Suppress by a diode + Zener in DC power load (for high power and frequent ON/OFF)

## 7.5.2 Protection of Transistor Output and Noise Suppression

The transistor output in FBs-PLC already includes Zener diode for counter-electromotive force, which is sufficient for low power inductive load and medium frequency of ON/OFF application. In conditions of high power or frequent ON/OFF, please construct another suppression circuit to lower noise interference and prevent voltage from exceeding the limit or overheating that may damage the transistor output circuit.

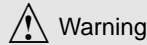


Suppress by a diode (for low power)



Suppress by a diode + Zener (high power and frequent ON/OFF)

# Chapter 8 Test Run, Monitoring and Maintenance



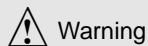
During maintenance, be sure to turn off the input power of PLC in case the actions to touch any terminal on PLC, or insert and extract accessories (e.g., expansion ribbon cables) is required. Otherwise, electric shock, short circuit, damaged PLC or PLC malfunction will be caused if the power is on.

## 8.1 Inspection After Wiring and Before First Time Power on

1. Before power on, clean all unnecessary objects such as iron chippings and screws, and remove the dust cover sheet that surround the FBS-PLC.
2. Make sure that the input power and PLC required power is of the same type. When input power is AC power, please pay attention to connect the hot wire (L) to the “L” terminal on PLC and the ground wire (N) to the “N” terminal. Mistakenly connect to DC powered PLC or to terminals other than “L” and “N” will result in electric shock, serious damage or malfunction.
3. Make sure the load power and PLC output circuits are consistent. Connection of AC power to transistor output or DC power to TRIAC output will damage PLC or result in malfunction.
4. Make sure the DC24V input and polarities of SINK/SOURCE in transistor output are consistent with those of your existing wiring. Any mismatch will result in failure of PLC input and damage to the output circuit.

## 8.2 Test Run and Monitoring

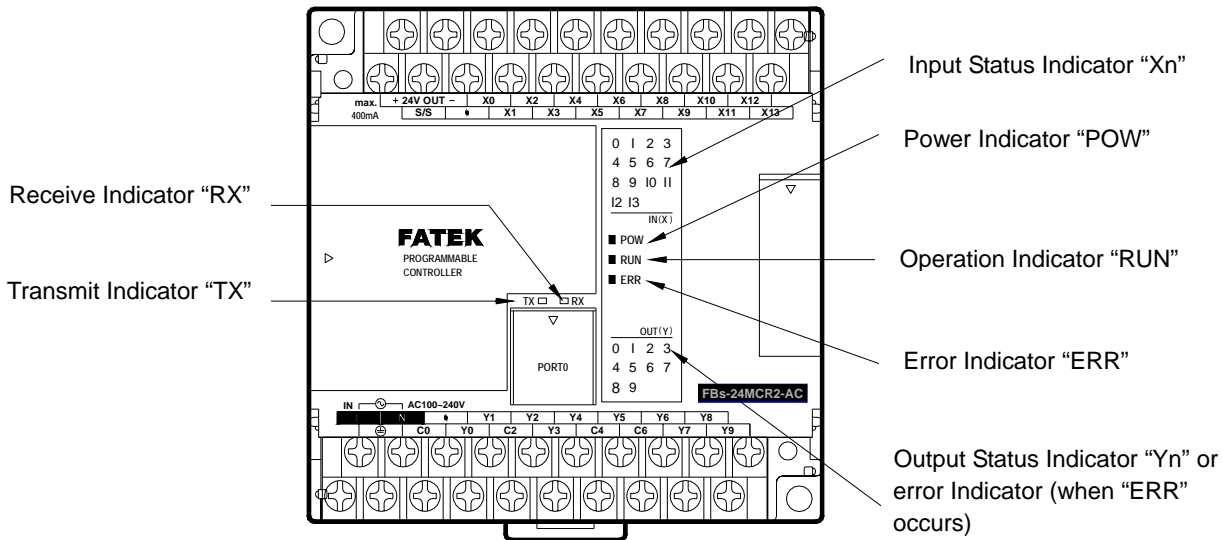
The FBS-PLC provides a convenient feature to Disable/Enable the I/O points by whole or individually. Namely, while PLC performs the normal logic scan operation and I/O refreshment, it does not update the status of the disabled input points according to the actual external input. For the disabled output points, the result of logic scan can't override the disable status of outputs, only the user can force the state to 'on' or 'off' in order to simulate its operation. The user only needs to utilize the disable function combined with Monitor to achieve simulating the input or output via FP-08 or WINPROLADDER and observe the result. Upon the finish the simulation, revert all the inputs or outputs to Enable state will bring back normal operation. Refer the instructions of WINPROLADDER or FP-08 for the operation of RUN/STOP PLC, Disable/Enable I/O and monitoring of I/O status and content of register.



The disable function is to let the input or output status out of PLC program control and switched to the control of the user (tester) to freely set the disabled input or output to be ON or OFF. In normal PLC operation, when dealing with input or output with safety issues (such as upper/lower limit of detected input or output emergency stop), the user must make sure whether it can be disabled or overridden to ON/OFF before starting the disable or override control, to avoid damage to equipment or harm to people.



## 8.3 LED Indicators on PLC Main Unit and Troubleshooting



### Power Indicator "POW"

After the PLC is power on, with correct power source and wiring, the "POW" LED indicator in the middle of the PLC nameplate will turn on, indicating that power supply is normal. If the indicator is not on, please try to temporarily remove the wiring of 24VDC output power for Sensor. If the LED is back to normal, it means that the load on the power for the 24VDC input circuit is too large so that PLC enters overload low voltage protection mode. (When PLC enters overload low voltage protection mode, "POW" LED is off and there are slight and intermittent low frequency hissing sounds, from which one can tell if the 24VDC power is overloaded or shorted.)

When the above method still cannot turn on the "POW" LED, if it is confirmed that correct power input exists between PLC power input L/N terminals or +/- (DC power), please send the unit to your local distributor for repair.

### Operation Indicator "RUN"

As long as the CPU is working properly, in the STOP state, this indicator will go on and off for 2 seconds, respectively. When it's in the RUN state, the indicator will go on and off for 0.25 seconds, respectively. To make PLC enter into Run state, or switch from RUN to STOP state, it has to be done through the programmer (FP-08 or WINPROLADDER). Once PLC is set to RUN or STOP, it will keep that state even after power off. The only exception is, when using the ROM PACK, no matter if it's running or stopped before power off, PLC will automatically enter RUN state (with correct ROM PACK syntax check) when power is back. In normal operation of PLC upon errors (e.g., errors in WDT timer and program), PLC will automatically switch to STOP state and light the "ERR" error indicator. If it is a minor error, the RUN state can be resumed as long as the power is back after an outage. In case of serious errors, the PLC cannot be operated again with the programmer until the problem is solved. If PLC cannot be resumed to RUN state after all, please send it to your local distributor for repair.

### Error Indicator "ERR"

In normal PLC operation, either in RUN or STOP state, this indicator will not show any signal (off). If it is on, it means that the system has an error (e.g., WDT time-out, program error, communication error, etc.)

If it is constantly on, please reset the power. If the situation is still the same, it implies a hardware failure in CPU and has to be sent to the distributor for repair.

When the ERR indicator flashes with a 0.5 sec interval, it means that some anomaly occurs to PLC. At the same time, status indicators Y0~Y3 switch to serve as indications of 15 error codes (the corresponding outputs are disabled), which

are described in the following :

Y3	Y2	Y1	Y0	Error Code	Description
0	0	0	1	1	Application program contains the functions not supported by this CPU
0	0	1	0	2	Mismatch of PLC ID VS. program ID
0	0	1	1	3	Checksum error in LADDER program
0	1	0	0	4	System STACK abnormal
0	1	0	1	5	Watch-Dog occurs
0	1	1	0	6	Exceed main unit I/O
0	1	1	1	7	Syntax check error occurs
1	0	0	0	8	Expansion I/O modules over limit
1	0	0	1	9	Expansion I/O points over limit
1	0	1	0	10	System FLASH ROM CRC error
1	0	1	1	11	Reserved
1	1	0	0	12	Reserved
1	1	0	1	13	Reserved
1	1	1	0	14	Reserved
1	1	1	1	15	Reserved

#### Indicator on Transmit/Receive of Built-In Communication Port (Port0) “TX” 、 “RX”

These two LED indicators are used for the status of transmit/receive of the built-in communication port (Port0). The RX indicator (green) is for indication when PLC receives external signals, while the TX indicator (red) is for indication when PLC transmits signals, both of which are very helpful in monitoring communication condition and debugging. When PLC communicates with external equipment (computer, programmer, intelligent peripherals, etc.), Port0 in FBS-PLC can only be used in slave mode (Port1~4 can be used in master mode). Therefore, during its operation, PLC must first receive external signals (RX on) before it can transmit signals back to external equipment (TX on now). When the communication is fail, one can tell if it's PLC is not receiving signals or PCL is not replying by looking at the these two indicators. The currents in these two LED are constant and their lighting duration is proportional to the reception or transmission time. The more received/transmitted data or the slower (bps) reception/transmission, the longer the reception/transmission time and so is the indication time (brighter visually). If in high speed but small amount of data, only short and dim brightness is observed. Therefore, the communication condition can be easily distinguished by these two indicators.

#### Indicator of Input Status “Xn”

When external input Xn is ON, the corresponding LED indicator Xn will be on, otherwise it will be off. If it fails to respond to external input, please check if the terminal wiring is securely connected, or measure the voltage between “Xn” and common “C” to see if it has a change of 0V/22V with ON/OFF of input. If it does, it means that an error occurs in PLC input circuit or LED indicator. Or you can locate the problem by using the monitor mode of the programmer to check if this input status works correspondingly with the external input state.

#### Indicator of Output Status “Yn”

When the Yn output of PLC is ON, its corresponding output indicator will also be on and its external load will be ON. If ON/OFF condition of external load is inconsistent with output indicator, please check the wiring of the load, power, and terminal for secure connection. If the connection is good, then it should be the PLC output component failure. The main reasons to cause the output component failure are:

1. Overload or short circuit that burns output component and results in permanent open or short circuit.

2. Not overloaded, but Inrush current from capacitive load welds relay contacts at "ON" , resulting in permanent ON, or burns transistor or TRIAC, resulting in permanent ON or OFF.
3. Not overloaded, but the inductive load without proper Snubber circuit causes high voltage sparks between relay contact at "OFF" and generate carbon deposition, which separates contacts and causes permanent OFF or intermittent ON/OFF, or punches through transistor or TRIAC with high voltage, resulting in permanent ON or OFF.

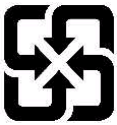
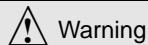
## 8.4 Maintenance

FBs-PLC itself has no user serviceable parts and all maintenance has to be conducted by professional personnel. During use, in case of any defective unit, please first try to find out the defect from the above error codes on the main unit, followed by performing maintenance over the entire unit or on the Board level. Send the unit that is still not functioning well to local distributors.

## 8.5 The Charge of Battery & Recycle of Used Battery

Every FBs –PLC main units have inside one re-chargeable lithium battery to safely maintain program and data during main power shut down. Each lithium battery was fully charged when the FBs-PLC ship out from the factory capable to retain program and data at least 6 months. There is risk to miss program and data when battery exhaust over 6 months, the users should mind the date marked on each FBs-PLC.

In case exceeding 6 months, users can do battery re-charging by themselves through keeping FBs-PLC be powered for over 12 hours then more 6 months can work smoothly on the data saving.



Any recharge, disassembly, heating, burning on defective or discarded battery is prohibited. Otherwise may cause danger of explosion or fire. The chemical material of battery will lead to environment pollution, easily throw away or treat as normal garbage is prohibited. Please follow after the local or government's regulation to make proper treatment on discard battery.